

NOTES : (UNLESS OTHERWISE SPECIFIED)

MATERIAL

- HOUSING : THERMOPLASTIC-LCP, UL94V-0, BLACK, HALOGEN FREE
- CONTACT : PHOSPHOR BRONZE C5191

SPECIFICATION

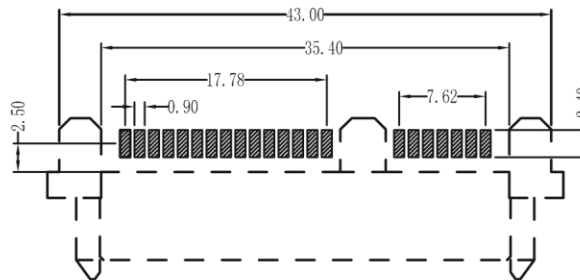
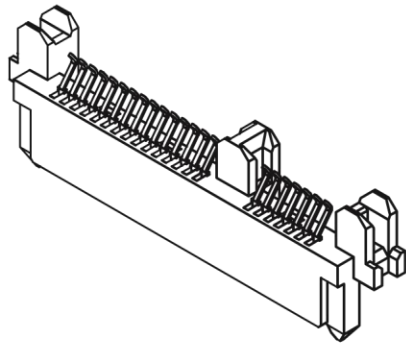
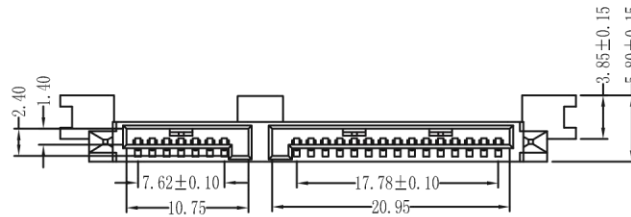
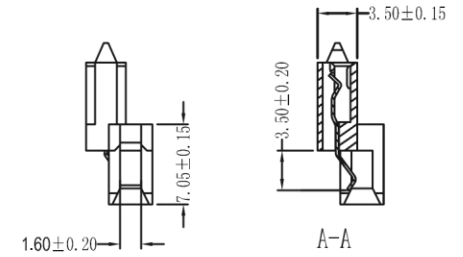
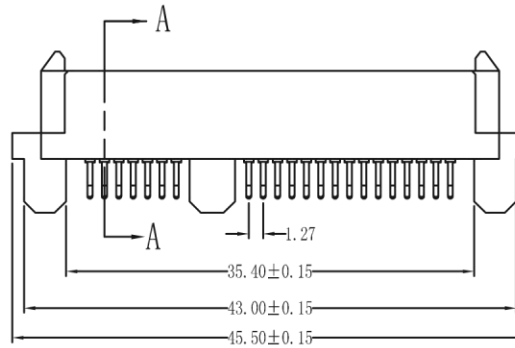
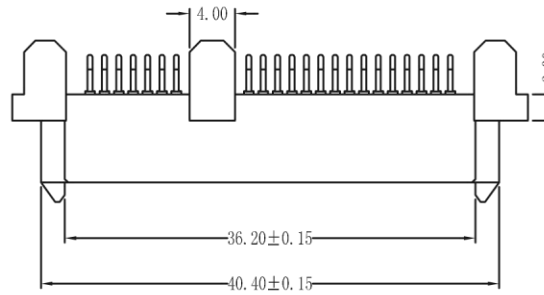
- VOLTAGE RATING : 12V AC RMS
- CURRENT RATING : 1.5AMP PER CONTACT
- CONTACT RESISTANCE : 30 MILLIOHMS MAX.
- INSULATION RESISTANCE : 1,000 MEGOHMS MIN.
- WITHSTAND VOLTAGE : 500V AC FOR 1 MINUTE
- MATING FORCE : 45N MAX.
- UNMATING FORCE : 10N MIN.
- DURABILITY : 500 CYCLE MIN.
- WAVE SOLDERING TEMPERATURE PEAK : 275°C FOR 5 SEC. MAX.

ORDER OPTION

PDA02-11 x x 021JA

PACKING METHOD
 F-VACUUM TUBE
 R-EMBOSS AND REEL

PLATING
 0~Au 0.2~1μ ON CONTACT AREA
 1~Au 3μ ON CONTACT AREA
 4~Au 15μ ON CONTACT AREA
 6~Au 30μ ON CONTACT AREA



RECOMMENDED PCB LAYOUT

RoHS Directive compliant 2002/95/EC LEAD FREE PRODUCT DRAWN APPROVED DIMENSIONS ARE IN MILLIMETERS TOLERANCES X. ±0.15 X.X ±0.10 X.XX ±0.05 ANGULAR ±2° THIRD ANGLE PROJECTION SIZE A4	METRIC	Han Electronic
	L. HEARST	
	P. TURNEAU	TITLE
	ANGULAR ±2°	SATA 7+15 PINS SMT, ZIP BOARD TYPE
	PRODUCT NO.	PDA02-11**021JA
	SHEET NO.	1 OF 1
	SCALE	1 : 1