

**NOTES :** (UNLESS OTHERWISE SPECIFIED)

**MATERIAL**

- ☐ HOUSING : THERMOPLASTIC-LCP, UL94V-0, BLACK, HALOGEN FREE
- ☐ CONTACT : PHOSPHOR BRONZE C5191
- ☐ BOARD LOCK : BRASS C2680

**SPECIFICATION**

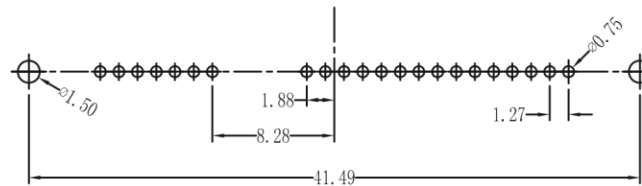
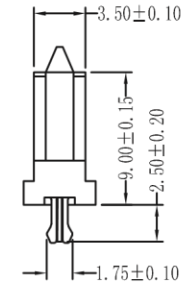
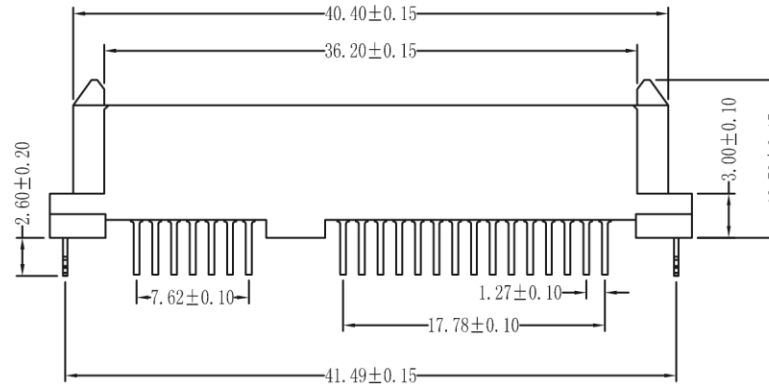
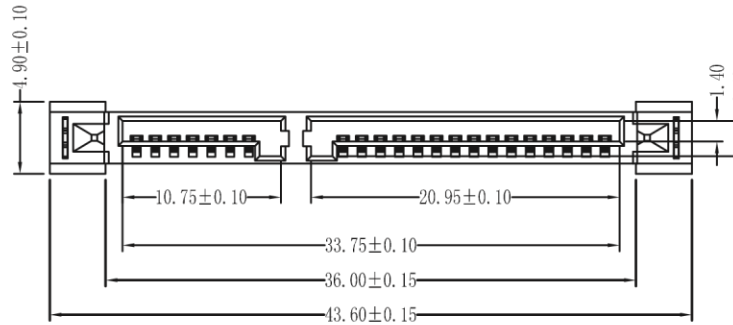
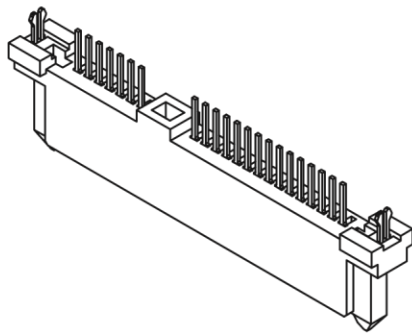
- ☐ VOLTAGE RATING : 12V AC RMS
- ☐ CURRENT RATING : 1.5AMP PER CONTACT
- ☐ CONTACT RESISTANCE : 30 MILLIOHMS MAX.
- ☐ INSULATION RESISTANCE : 1,000 MEGADHMS MIN.
- ☐ WITHSTAND VOLTAGE : 500V AC FOR 1 MINUTE
- ☐ MATING FORCE : 45N MAX.
- ☐ UNMATING FORCE : 10N MIN.
- ☐ DURABILITY : 500 CYCLE MIN.
- ☐ WAVE SOLDERING TEMPERATURE PEAK : 275°C FOR 5 SEC. MAX.

**ORDER OPTION**

PDA03-11 x x 021J6

PACKING METHOD  
T~TRAY PLATE  
F~VACUUM TUBE

PLATING  
0~Au 0.2~1μ ON CONTACT AREA  
1~Au 3μ ON CONTACT AREA  
4~Au 15μ ON CONTACT AREA  
6~Au 30μ ON CONTACT AREA



**RECOMMENDED PCB LAYOUT**

RoHS Directive compliant 2002/95/EC	DRAWER L. HEARST	Han Electronic
	APPROVER P. TURNEAU	
	DIMENSIONS ARE IN MILLIMETERS TOLERANCES X. ±0.15 X.X ±0.10 X.XX ±0.05 ANGULAR ±2°	TITLE SATA 7+15 PINS VERTICLE, H=9.0mm THROUGH HOLE WITH BOARD LOCK
	THIRD ANGLE PROJECTION	SIZE A4
	SHEET NO. 1 OF 1	SCALE 1 : 1