

※NOTES※

MECHANICAL

- ① HOUSING : THERMOPLASTIC-NYLON 66, UL94V-0
- ② TERMINAL : BRASS

SPECIFICATION

- ① VOLTAGE RATING : 250V AC/DC
- ② CURRENT RATING : 3A AC/DC
- ③ WITHSTANDING VOLTAGE : 1,000V AC FOR 1 MINUTE
- ④ TEMPERATURE RANGE : -25°C ~ +85°C
- ⑤ INSULATION RESISTANCE : 1,000MΩ MIN.
- ⑥ CONTACT RESISTANCE : 10mΩ MAX.
- ⑦ WIRE RANGE : AWG#22~AWG#26

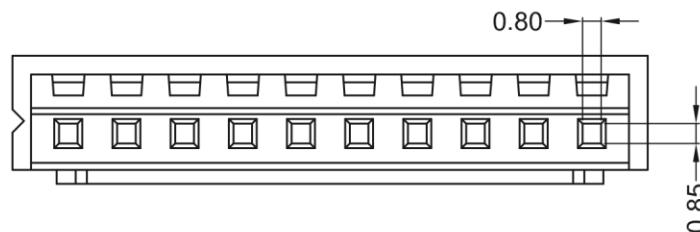
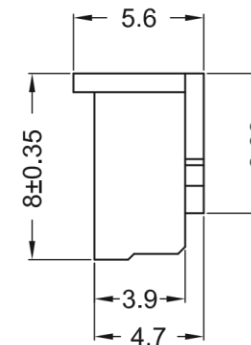
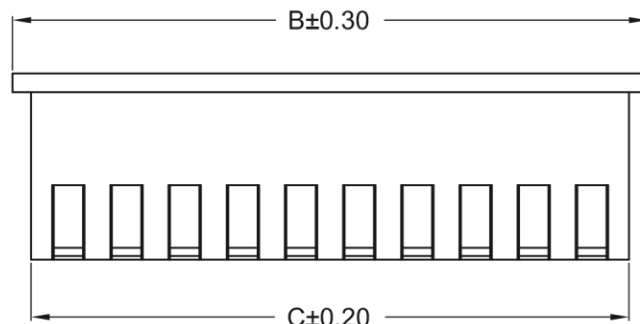
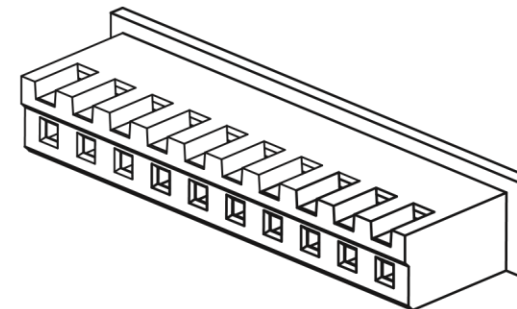
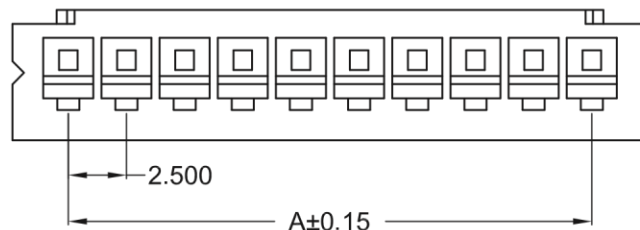
PRODUCT ORDER OPTION

PWB21-5 * JP0 ** NH

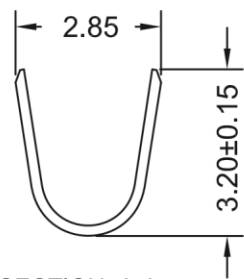
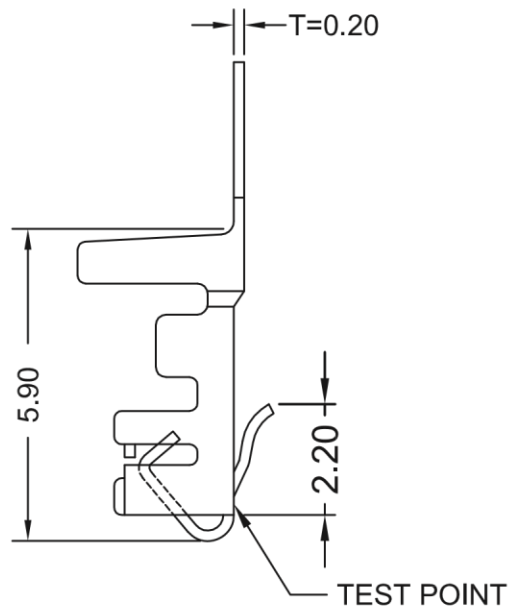
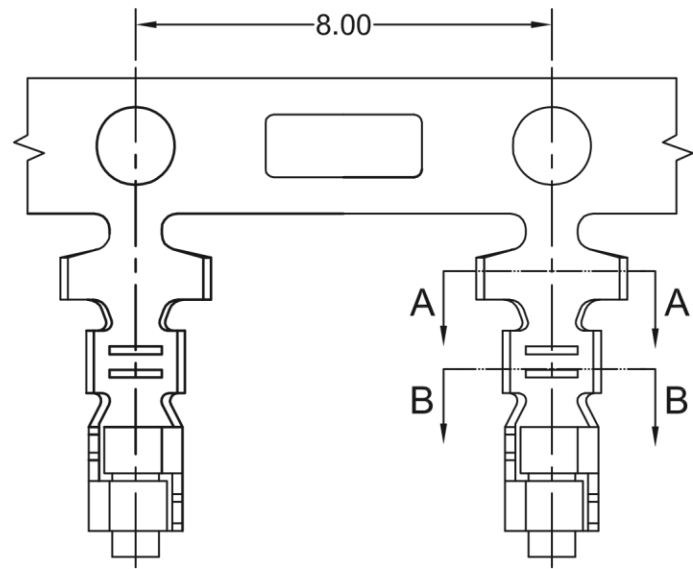
CKT NO.

HOUSING COLOR
1~BLACK
2~WHITE

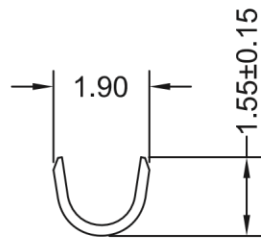
CKT	DIM.A	DIM.B	DIM.C
02	2.50	7.30	5.70
03	5.00	9.80	8.20
04	7.50	12.30	10.70
05	10.00	14.80	13.20
06	12.50	17.30	15.70
07	15.00	19.80	18.20
08	17.50	22.30	20.70
09	20.00	24.80	23.20
10	22.50	27.30	25.70
11	25.00	29.80	28.20
12	27.50	32.30	30.70
13	30.00	34.80	33.20
14	32.50	37.30	35.70
15	35.00	39.80	38.20
16	37.50	42.30	40.70



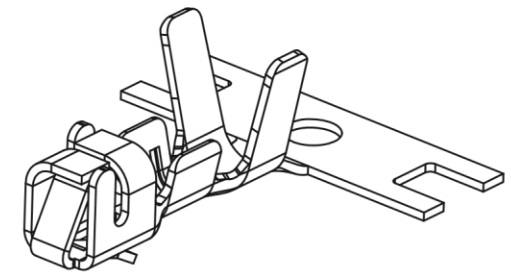
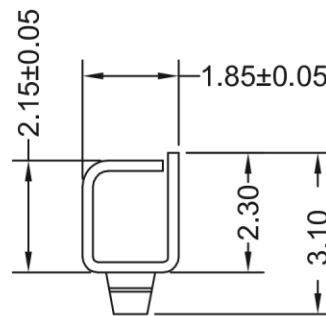
METRIC		Han Electronic
DRAWER	Y. TOMITA	
APPROVER	P. TURNEAU	
DIMENSIONS ARE IN MILLIMETERS TOLERANCES		TITLE
X.	----	PITCH 2.50mm WIRE TO BOARD CONNECTOR PLUG, HOUSING
X.X	±0.38	
X.XX	±0.25	
X.XXX	±0.10	
ANGLES	±2°	
DO NOT SCALE DRAWINGS		PRODUCT NUMBER
THIRD ANGLE PROJECTION		PWB21-5*JP0**NH
SIZE	REV.	SCALE
A4		2.5 : 1
		SHEET 1 OF 2



SECTION: A-A
SCALE: 1:1



SECTION: B-B
SCALE: 1:1



QUALITY CONTROLING DEPENDANT ALL PRODUED THE SYMBOL AS	METRIC		Han Electronic	
	DRAWER	Y. TOMITA		
	APPROVER	P. TURNEAU		
	DIMENSIONS ARE IN MILLIMETERS TOLERANCES		TITLE	
<input checked="" type="checkbox"/> RoHS COMPLIANT <input type="checkbox"/> RoHS NOT COMPLIANT <input checked="" type="checkbox"/> HF <input type="checkbox"/> LF	X. ----- X.X ±0.38 X.XX ±0.25 X.XXX ±0.10 ANGLES ±2°	PITCH 2.50mm WIRE TO BOARD CONNECTOR PLUG, TERMINAL		
DO NOT SCALE DRAWINGS		PRODUCT NUMBER		
 THIRD ANGLE PROJECTION		PWB21-5*JP0**NH		
SIZE A4	REV.	SCALE 2.5 : 1	SHEET 2 OF 2	