

※NOTES※

MECHANICAL

- ① HOUSING : THERMOPLASTIC-PA9T, UL94V-0
- ② EARTH TERMINAL ① : STAINLESS STEEL, T=0.2mm
- ③ TIP SPRING ② : PHOSPHOR BRONZE, T=0.25mm
- ④ RING SPRING ③ : STAINLESS STEEL, T=0.2mm
- ⑤ SHUNT TERMINAL ④ : PHOSPHOR BRONZE, T=0.2mm
- ⑥ SHUNT TERMINAL ⑤ : PHOSPHOR BRONZE, T=0.2mm

SPECIFICATION

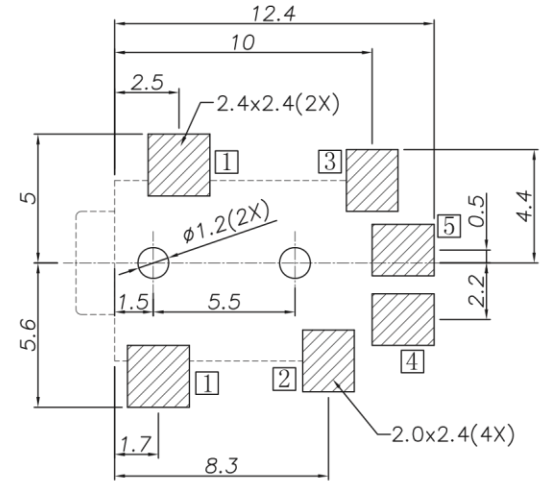
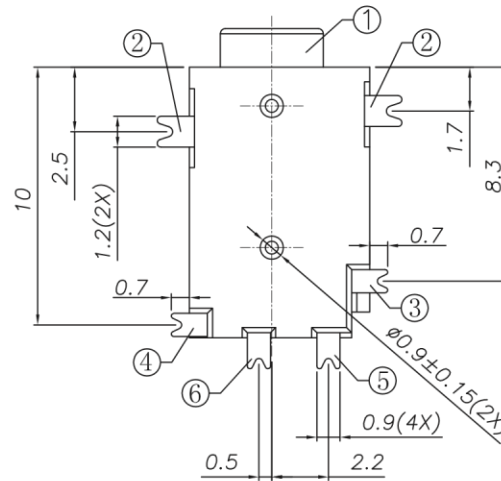
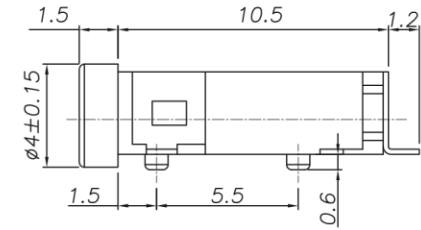
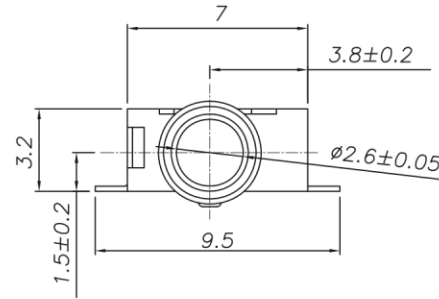
- ① RATING : DC 30V, 0.5 AMPERE
- ② CONTACT RESISTANCE : 30mΩ MAX.  
AFTER TEST : 50mΩ MAX.
- ③ INSULATION RESISTANCE : 100mΩ MIN. (<500V DC)  
AFTER TEST : 50mΩ MIN.
- ④ WITHSTAND VOLTAGE : 500V AC
- ⑤ INSERTION AND EXTRACTION FORCE : 3N~25N
- ⑥ DURABILITY : 5,000 CYCLES MIN.
- ⑦ OPERATION TEMPERATURE : -20°C ~ +70°C
- ⑧ STORAGE TEMPERATURE : -40°C ~ +85°C
- ⑨ WAVE SOLDERING TEMPERATURE : 260±5°C FOR 10 SEC(≤).

ORDER OPTIONS

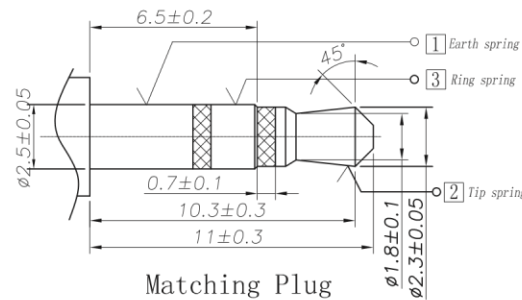
RAJ \*\* - 2 \* SR005N3

HOUSING COLOR  
1~BLACK  
2~BEIGE  
3~WHITE  
-----

MODEL TYPE  
SEE MODEL NO. TABLE AS BELOW



RECOMMENDED P. C. B. LAYOUT  
UNSPECIFIED TOLERANCE: ±0.05  
(TOP VIEW)



Matching Plug

Model No.	RAJ01	RAJ02	RAJ03	RAJ04
Schematic				

□:Terminal No.

QUALITY CONTROLING DEPARTMENT SHALL PRINTED THE SYMBOL AS *	METRIC	Han Electronic	
	DRAWER Y. TOMITA		
	APPROVER P. TURNEAU		
RoHS COMPLIANT HLF HALOGEN FREE LEAD FREE	DIMENSIONS ARE IN MILLIMETERS TOLERANCES X. ----- X.X ±0.30 X.XX ±0.20 X.XXX ±0.10 ANGLES ±3°		TITLE φ2.5 PHONE JACK CONNECTOR
	DO NOT SCALE DRAWINGS		PRODUCT NUMBER RAJ** - 2 * SR005N3
SIZE A4	THIRD ANGLE PROJECTION	SCALE FULL	SHEET 1 OF 1