

NOTES : (UNLESS OTHERWISE SPECIFIED)

MATERIAL

- 1 HOUSING : THERMOPLASTIC-LCP + 30% G.F, UL94V-0
- 2 CONTACT : BRASS
- 3 SHIELD : SPCC

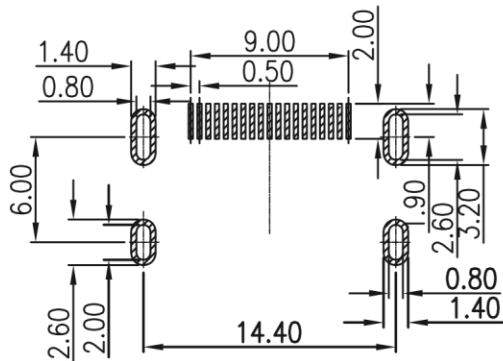
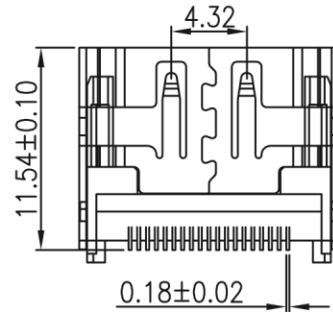
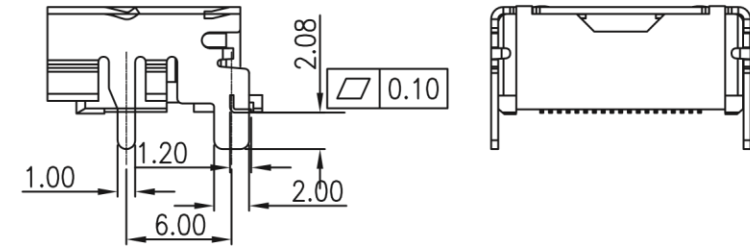
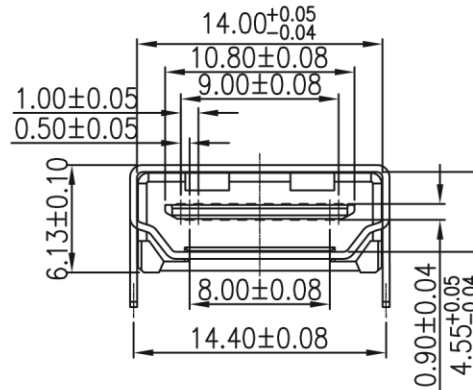
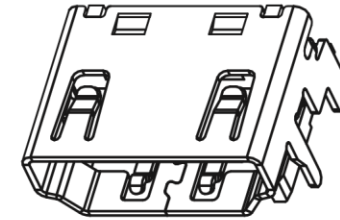
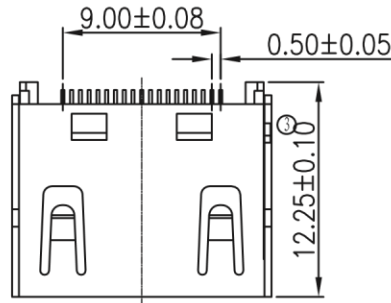
SPECIFICATION

- 1 VOLTAGE RATING : 40V AC/DC MAX.
- 2 CURRENT RATING : 0,3AMP MAX.
- 3 DIELECTRIC STRENGTH : 150V AC FOR 1 MINUTE
- 4 INSULATION RESISTANCE : 10MΩ MIN. @150V DC
- 5 CONTACT RESISTANCE : 30mΩ MAX.
- 6 INSERTION FORCE : 4,0Kgf MAX.
- 7 EXTRACTION FORCE : 1,0Kgf MIN., 4,0Kgf MAX.
- 8 DURABILITY : 3,000 CYCLES AT 100±50 CYCLES PER HOUR
- 9 AMBIENT TEMPERATURE : -25°C ~ +85°C
- 10 REFLOW SOLDERING PEAK TEMPERATURE : 270±5°C FOR 5 SECONDS MAX.
- 11 WAVE SOLDERING PEAK TEMPERATURE : 265±5°C FOR 10 SECONDS MAX.

PRODUCT ORDER INFORMATION

RHM01 - 1 * * * 019C3

- PACKING METHOD
T~HARD TRAY PLATE
F~VACUUM TUBE
R~EMBOSS AND REEL
- PLATING
0~Au 0,2~1μ ON CONTACT AREA
2~Au 6μ ON CONTACT AREA
4~Au 15μ ON CONTACT AREA
6~Au 30μ ON CONTACT AREA
- HOUSING COLOR
1~BLACK
2~WHITE



RECOMMENDED PCB LAYOUT
THICKNESS=1.60mm, TOLERANCE ±0.05mm

RoHS Directive compliant: 2002/95/EC LEAD FREE PRODUCT (Pb)	METRIC DRAWN BY SOPHIA HUANG	Han Electronic
	APPROVED BY ALEX WU	
	DIMENSIONS ARE IN MILLIMETERS TOLERANCES X.X ±0.38 X.XX ±0.25 X.XXX ±0.10 ANGULAR ±3°	TITLE HDMI A/F 19PINS RECEPTACLE SURFACE MOUNT TYPE
	THIRD ANGLE PROJECTION	SIZE A4