

NOTES: (UNLESS OTHERWISE SPECIFIED)

MATERIAL

- HOUSING : HIGH-TEMPERATURE PBT, UL94V-0, BLACK
- CONTACT : PHOSPHOR BRONZE, T=0.30mm
- SHIELD WITH EMI : PHOSPHOR BRONZE, T=0.20mm

REMARK

- SUITABLE FOR CAT 5 & 6 FAST ETHERNET CABLE OR BETTER UTP.
- RoHS PEAK WAVE SOLDER TEMPERATURE RATING 250±5°C FOR 8±1 SECONDS.

ORDER OPTION

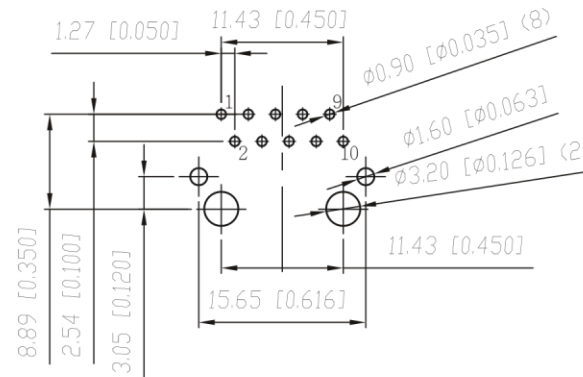
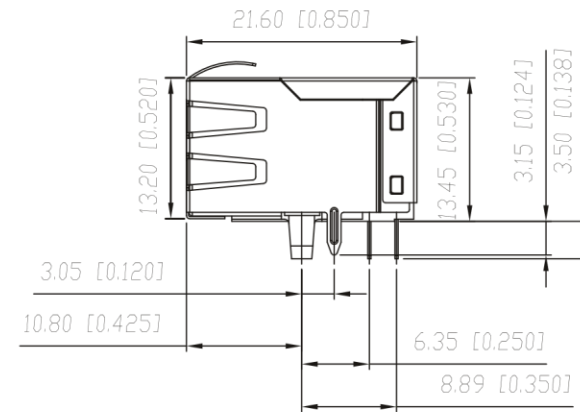
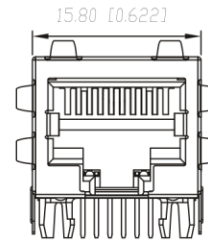
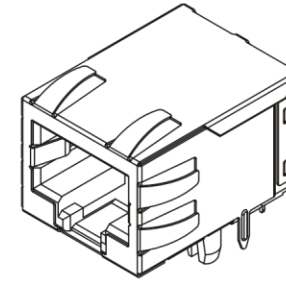
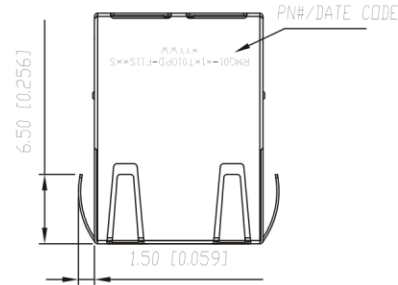
RMG01 - * 1 * T010PD-F11S * * S

RIGHT LED
 3~WHITE 4~GREEN 6~ORANGE
 7~RED A~BLUE 0~YELLOW
 N~NO LED, CLOSE

LEFT LED
 (SAME AS ABOVE)

PLATING
 0~Au 0.2~1μ ON CONTACT AREA
 1~Au 3μ ON CONTACT AREA
 4~Au 15μ ON CONTACT AREA
 6~Au 30μ ON CONTACT AREA
 8~Au 50μ ON CONTACT AREA

PLASTIC
 3~THERMOPLASTIC-PA6T, UL94V-0
 5~THERMOPLASTIC-PA66, UL94V-0
 6~HIGH-TEMPERATURE PBT, UL94V-0



RECOMMENDED PCB LAYOUT
 (TOP VIEW)
 DIMENSION TOLERANCE .XX ±0.05[0.001]

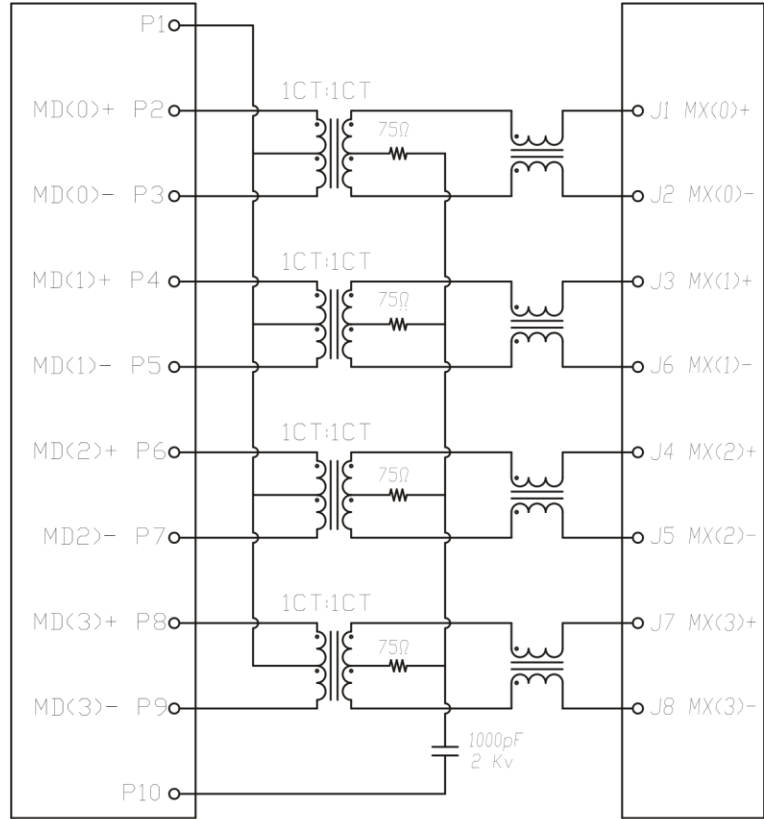
RoHS Directive compliant 2002/95/EC LEAD FREE PRODUCT DRAWN APPROVED THIRD ANGLE PROJECTION	METRIC	Han Electronic
	Y. TOMITA S. TAKESHI	
	DIMENSIONS ARE IN MILLIMETERS TOLERANCES X.X ±0.38 X.XX ±0.25 X.XXX ±0.10 ANGULAR ±3°	TITLE MODULAR JACK 10P10C, 1,000 BASE-T TAB-DOWN, THRU HOLE
	PRODUCT NO. RMG01-*1*T010PD-F11S**S SIZE A4 SHEET NO. 1 OF 2 SCALE N/A	

SCHEMATIC

ELECTRICAL CHARACTERISTICS

CONNECTOR SOLDER SIDE

RJ45 CONTACT SIDE



TEST NOTES : (25±5°C)

- TR : (100KHz, 0.1V)
 PINS : (P2,P3):(J1,J2) = 1:1±3%
 PINS : (P4,P5):(J3,J6) = 1:1±3%
 PINS : (P6,P7):(J4,J5) = 1:1±3%
 PINS : (P8,P9):(J7,J8) = 1:1±3%
- LX : (100KHz, 100mV, 8mA, DC Bias)
 PINS : (P2,P3),(P4,P5),(P6,P7),(P8,P9)=350uH MINIMUM
- DCR :
 PINS : (J1,J2),(J3,J6),(J4,J5),(J7,J8)=1.2 OHMS MAXIMUM
- HIPOT :
 PINS(P2,P3)TO(J1,J2), (P4,P5)TO(J3,J6)=1200V AC FOR 2 SECONDS
 PINS(P6,P7)TO(J4,J5), (P8,P9)TO(J7,J8)=1200V AC FOR 2 SECONDS
- INSERTION LOSS :
 -1.0dB MAXIMUM AT 0.3MHz TO 100MHz
- RETURN LOSS :
 -20dB MINIMUM AT 1MHz TO 30MHz
 -15dB MINIMUM AT 30MHz TO 60MHz
 -10dB MINIMUM AT 60MHz TO 80MHz
- CROSS TALK :
 -30dB MINIMUM AT 1MHz TO 100MHz
- COMMON TO COMMON MODE REJECTION :
 -30dB MINIMUM AT 1MHz TO 100MHz

LEAD FREE PRODUCT	METRIC	Han Electronic
	DRAWER Y. TOMITA	
RoHS Directive compliant 2002/95/EC	APPROVER S. TAKESHI	TITLE MODULAR JACK 10P10C, 1,000 BASE-T TAB-DOWN, THRU HOLE
	DIMENSIONS ARE IN MILLIMETERS TOLERANCES X.X ±0.38 X.XX ±0.25 X.XXX ±0.10 ANGULAR ±3°	PRODUCT NO. RMG01-×1×T010PD-F11S××S
THIRD ANGLE PROJECTION	SIZE A4	SHEET NO. 2 OF 2
		SCALE N/A