

※NOTES※

PHYSICAL

- ① HOUSING : HIGH-TEMPERATURE THERMOPLASTIC, UL94V-0
- ② CONTACTS : PHOSPHOR BRONZE
- ③ MYLAR : VINYL ELECTRONIC TAPE
- ④ OPERATING TEMPERATURE : -40°C~+85°C
- ⑤ PEAK TEMPERATURE FOR WAVE SOLDERING : 250±5°C FOR 5 SECS.

MECHANICAL

- ① MATING FORCE : 5 POUNDS MAX.
- ② UNMATING FORCE : 10 POUNDS MAX.
- ③ DURABILITY : 1,000 CYCLES MAX.

- ※※ MATES WITH MODULAR JACK PLUG WHICH DIMENSION MUST CONFORMING TO FCC PART 68, SUBPART F.
- ※※ THIS IS A ROHS COMPLIANTS, AND LEAD FREE PRODUCT.
- ※※ 100% TESTED FOR FUNCTIONALITY PER IEEE 802.3 REQUIREMENTS.

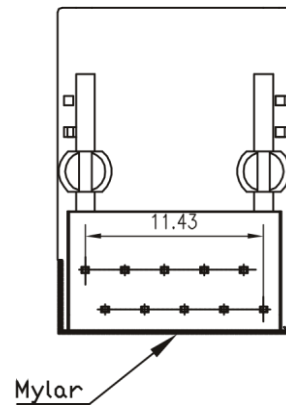
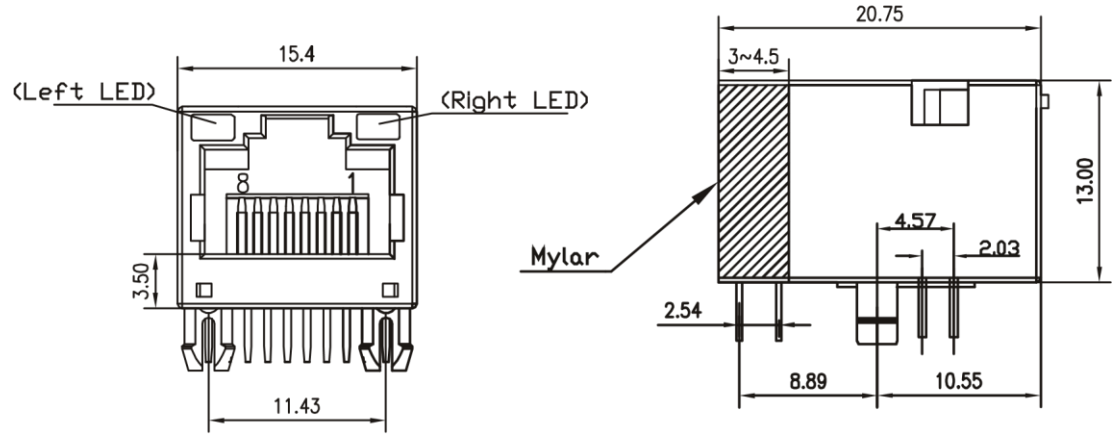
ORDER INFORMATION

RMG12 - 51 \* T012PU - F11N \* \* N

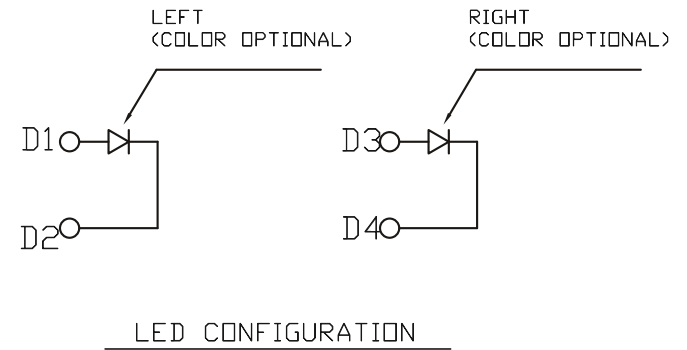
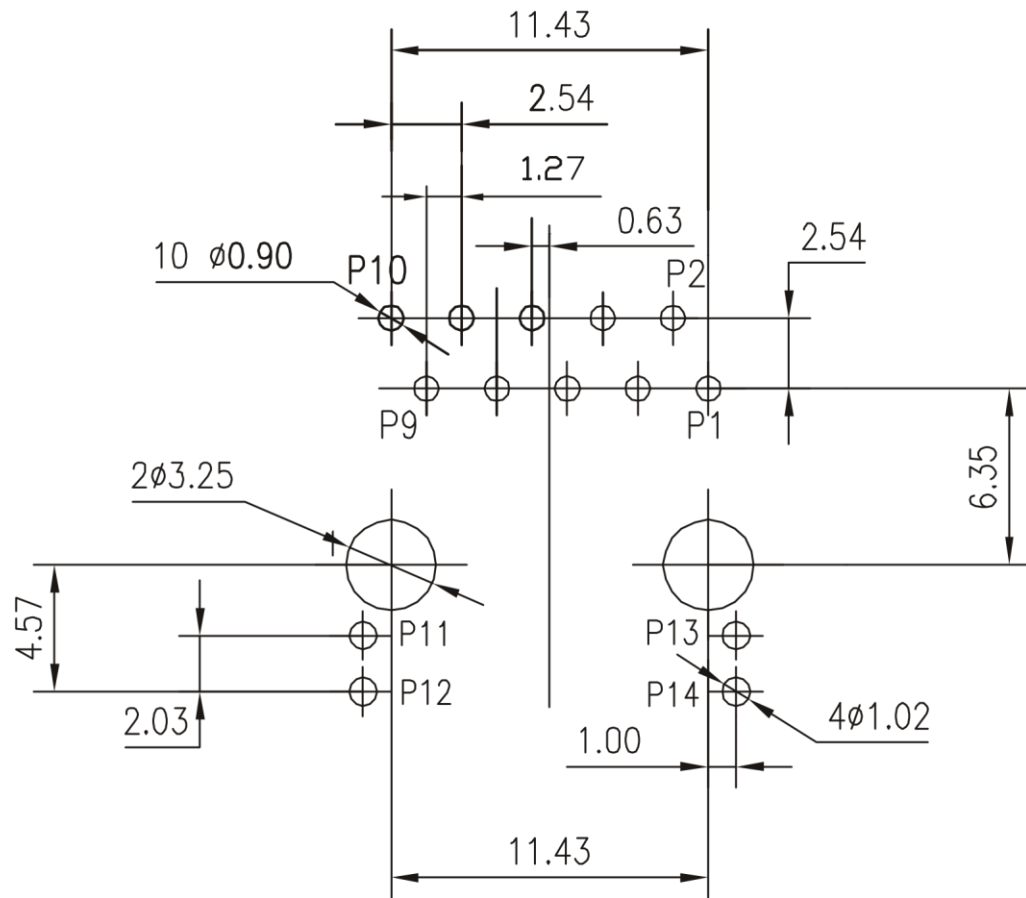
LED COLOR(RIGHT)  
 4~GREEN            6~ORANGE  
 7~RED                0~YELLOW  
 N~NONE              -----

LED COLOR(LEFT)  
 SAME AS ABOVE

PLATING  
 0~Au 0.2~1μ ON CONTACT AREA  
 2~Au 6μ ON CONTACT AREA  
 6~Au 30μ ON CONTACT AREA  
 8~Au 30μ ON CONTACT AREA  
 -----



|  |   |  |               |
|--|---|--|---------------|
| RoHS<br>COMPLIANT<br>HFP<br>HIGHER PERFORMANCE<br>LEAD-FREE                                    | <b>METRIC</b>                                 | <b>Han Electronic</b>  |               |
|  | DRAWER<br>Y. TOMITA<br>APPROVER<br>TAFFANY C. |  |               |
| DIMENSIONS ARE IN MILLIMETERS<br>TOLERANCES  |   | TITLE<br>MODULAR JACK<br>GIGABIT MAGNETIC<br>TAB-UP, W/LED<br>W/O SHIELD |               |
| X.            ±0.50<br>X.X        ±0.38<br>X.XX      ±0.25<br>X.XXX     ±0.10<br>ANGLES    ±3° |   |  |               |
| DO NOT SCALE DRAWINGS  |   | PRODUCT NUMBER<br>RMG12-51*T012PU-F11N**N                                |               |
| SIZE<br><b>A4</b>  | REV.  | SCALE<br>NONE  | SHEET OF<br>3 |



|  |   |               |   |               |
|--|---|---------------|---|---------------|
| USE BY: PARTIAL OR<br>EXPRESSION SHALL MARKED<br>THE SYMBOL AS | <b>METRIC</b>                               |               | <b>Han Electronic</b>   |               |
|  | DRAWER                                      | Y. TOMITA     |   |               |
|  | APPROVER                                    | TAFFANY C.    |   |               |
| RoHS  COMPLIANT<br><input type="checkbox"/>                    | DIMENSIONS ARE IN MILLIMETERS<br>TOLERANCES |               | TITLE   |               |
|  | X.  | $\pm 0.50$    | MODULAR JACK<br>GIGABIT MAGNETIC<br>TAB-UP, W/LED<br>W/D SHIELD |               |
| X.X  | $\pm 0.38$                                  |               |   |               |
| X.XX   | $\pm 0.25$                                  |               |   |               |
| X.XXX  | $\pm 0.10$                                  |               |   |               |
|  | ANGLES                                      | $\pm 3^\circ$ |   |               |
| HP<br>HP   | DO NOT SCALE DRAWINGS                       |               | PRODUCT NUMBER  |               |
|  |   |               | RMG12-51*T012PU-F11N**N   |               |
| THIRD ANGLE PROJECTION   | SIZE<br><b>A4</b>                           | REV.          | SCALE<br>NONE   | SHEET OF<br>3 |

4 3 2 1

SCHEMATIC

ELECTRICAL CHARACTERISTICS

SUGGESTED PCB LAYOUT

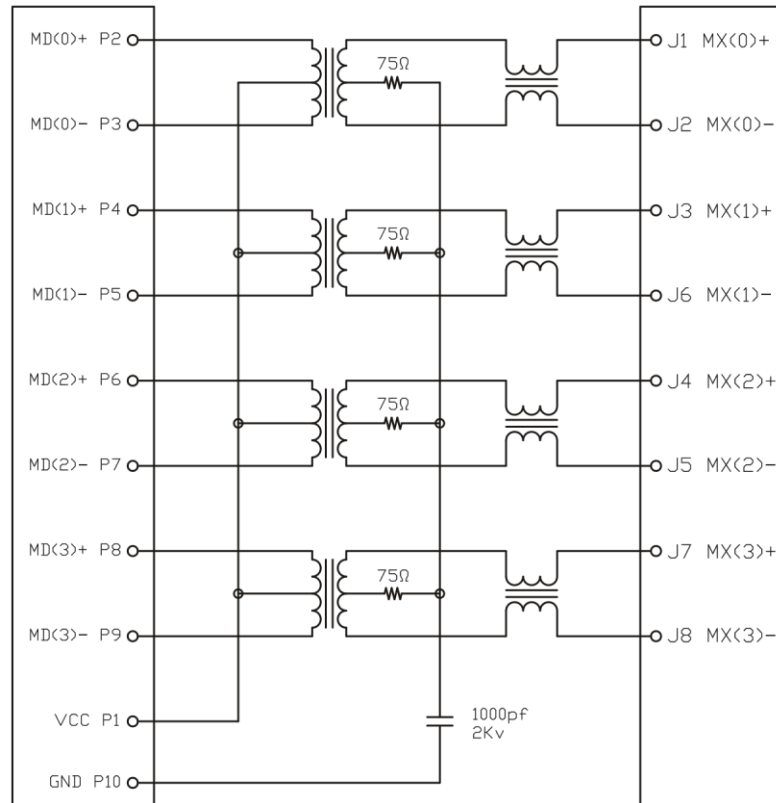
**SEEN FROM COMPONENT SIDE**

DIMENSIONAL TOLERANCE: .XX ±0.08[0.003]

|   |   |                        |  |            |
|---|---|------------------------|--|------------|
| <small>USE BY: APPROVAL AND<br/>EXPRESSION SHALL MARKED<br/>THE SYMBOL AS *</small> | <b>METRIC</b>                               |                        | <b>Han Electronic</b>  |            |
|   | DRAWER<br>Y. TOMITA                         |                        | TITLE<br><br>MODULAR JACK<br>GIGABIT MAGNETIC<br>TAB-UP, W/LED<br>W/O SHIELD |            |
|   | APPROVER<br>TAFFANY C.                      |                        |  |            |
|   | DIMENSIONS ARE IN MILLIMETERS<br>TOLERANCES |                        | PRODUCT NUMBER<br>RMG12-51×T012PU-F11N××N                                    |            |
| <input checked="" type="checkbox"/> RoHS COMPLIANT                                  | X. ±0.50                                    | DO NOT SCALE DRAWINGS  |  |            |
| <input type="checkbox"/> RoHS COMPLIANT   | X.X ±0.38                                   |                        |  |            |
| <input type="checkbox"/> HP W/DATE  | X.XX ±0.25                                  | THIRD ANGLE PROJECTION |  |            |
| <input checked="" type="checkbox"/> HP W/DATE                                       | X.XXX ±0.10                                 |                        |  |            |
| <input checked="" type="checkbox"/> LEAD-FREE                                       | ANGLES ±3°                                  | SIZE<br><b>A4</b>      | SCALE<br>NONE  | SHEET OF 3 |

LAN CHIP SIDE

RJ CABLE SIDE



TEST NOTES:(25°±5°C)

1. TR:(100KHz,0.1V);  
PINS:(P2,P3):(J1,J2)=1:1±3%;(P4,P5):(J3,J6)=1:1±3%;  
PINS:(P6,P7):(J4,J5)=1:1±3%;(P8,P9):(J7,J8)=1:1±3%
2. LX:(100KHz,100mV,8mA, DC Bias)  
PINS:(P2,P3),(P4,P5),(P6,P7),(P8,P9)=350uH MINIMUM
3. DCR:  
PINS:(J1,J2),(J3,J6),(J4,J5),(J7,J8)=1.2Ω MAXIMUM
4. HIPOT:  
PINS(P2,P3)TO(J1,J2),(P4,P5)TO(J3,J6)=1500VAC FOR 60 SECONDS  
PINS(P6,P7)TO(J4,J5),(P8,P9)TO(J7,J8)=1500VAC FOR 60 SECONDS
5. INSERTION LOSS:  
-0.8dB MAXIMUM AT 0.3MHz TO 100MHz;  
-1.2dB MAXIMUM AT 100MHz TO 120MHz
6. RETURN LOSS:  
-18dB MINIMUM AT 0.5MHz TO 40MHz;  
-12+20Log(f/80MHz)dB MINIMUM AT 40MHz TO 100MHz
7. CROSS TALK:  
-33+20Log(f/100MHz)dB MINIMUM AT 0.1MHz TO 100MHz
8. COMMON TO DIFFERENTIAL MODE REJECTION:  
-35dB MINIMUM AT 300KHz TO 100MHz
9. COMMON TO COMMON MODE REJECTION:  
-30dB MINIMUM AT 300KHz TO 100MHz

|  |                        |           |  |  |
|--|------------------------|-----------|--|--|
| USE BY: APPROVAL AND<br>EXPRESSION SHALL MARKED<br>THE SYMBOL AS ★   | <b>METRIC</b>          |           | <b>Han Electronic</b>  |  |
|  | DRAWER                 | Y. TOMITA |  |  |
| <input checked="" type="checkbox"/> RoHS COMPLIANT<br><input type="checkbox"/> RoHS EXEMPT<br><input checked="" type="checkbox"/> HP HIGHER PERFORMANCE<br><input checked="" type="checkbox"/> LEAD FREE | APPROVER<br>TAFFANY C. |           | TITLE<br>MODULAR JACK<br>GIGABIT MAGNETIC<br>TAB-UP, W/LED<br>W/O SHIELD |  |
| DIMENSIONS ARE IN MILLIMETERS<br>TOLERANCES  |                        |           |  |  |
| X. ±0.50<br>X.X ±0.38<br>X.XX ±0.25<br>X.XXX ±0.10<br>ANGLES ±3°   |                        |           | DO NOT SCALE DRAWINGS  |  |
| THIRD ANGLE PROJECTION   |                        |           | SCALE<br>NONE  |  |
| SIZE<br><b>A4</b>  |                        |           | SHEET OF<br>3  |  |