

NOTES : (UNLESS OTHERWISE SPECIFIED)

MATERIAL

- HOUSING : THERMOPLASTIC, UL94V-0, BLACK
- CONTACT : PHOSPHOR BRONZE
- SHIELD : BRASS

SPECIFICATION

- PIN NOT ELECTRICALLY CONNECTED MAYBE OMITTED SEE ELECTRICAL DRAWING FOR OMITTED PINS.
- REGISTERED JACK 45 CONNECTOR WITH INTERNAL MAGNETICS ARE 100% TESTED FOR ITS' FUNCTIONALITY WHICH FOLLOWS IEEE 802.3 REQUIREMENTS.
- RoHS PEAK WAVE SOLDER TEMPERATURE :
PBT - 250°C FOR 9 SECONDS MAX.
PA66 - 260°C FOR 10 SECONDS MAX.
- OPERATING TEMPERATURE : 0°C ~ +70°C
- STORAGE TEMPERATURE : -40°C ~ +85°C

ORDER OPTION

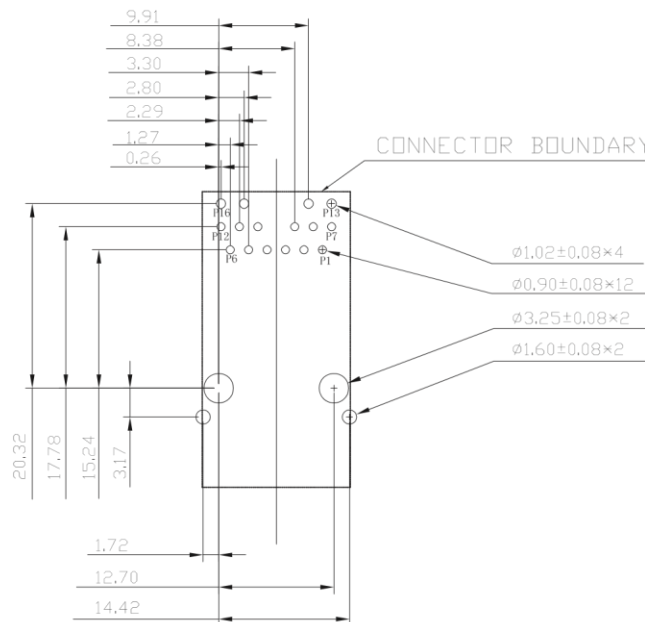
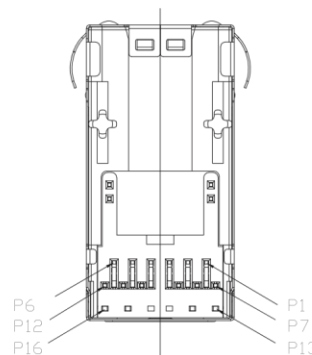
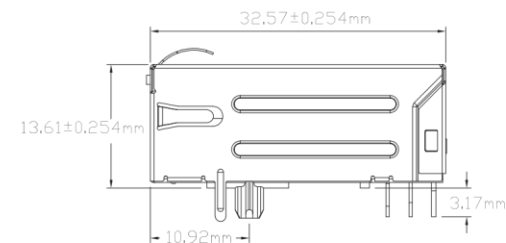
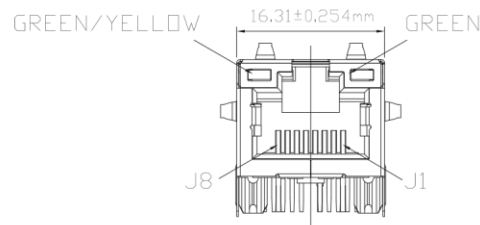
RMG22 - 51 × T012PU - F11S × 4S

LEFT LED COLOR
0~YELLOW 4~GREEN
6~ORANGE

PLATING
0~Au 0.2~1μ ON CONTACT AREA
2~Au 6μ ON CONTACT AREA
6~Au 30μ ON CONTACT AREA
8~Au 50μ ON CONTACT AREA

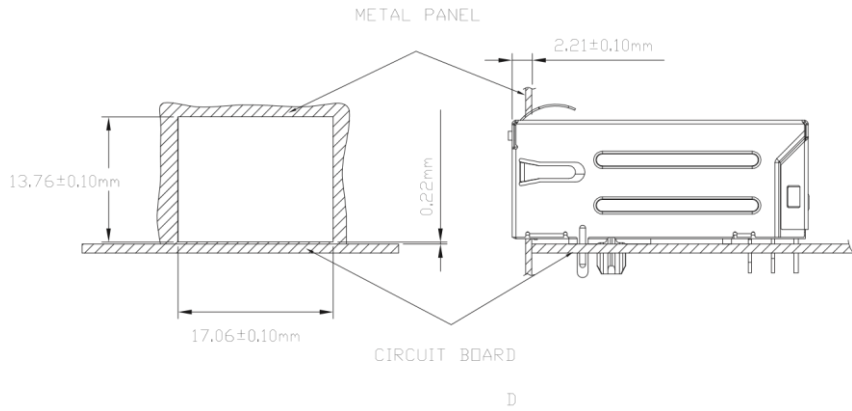
LED SPECIFICATION

STANDARD LED	WAVE LENGTH	FWD. CURRENT	FWD. VOLT.(MAX)	TYP
GREEN	565nm	20mA	2.4V	2.2V
YELLOW	590nm	20mA	2.5V	2.1V

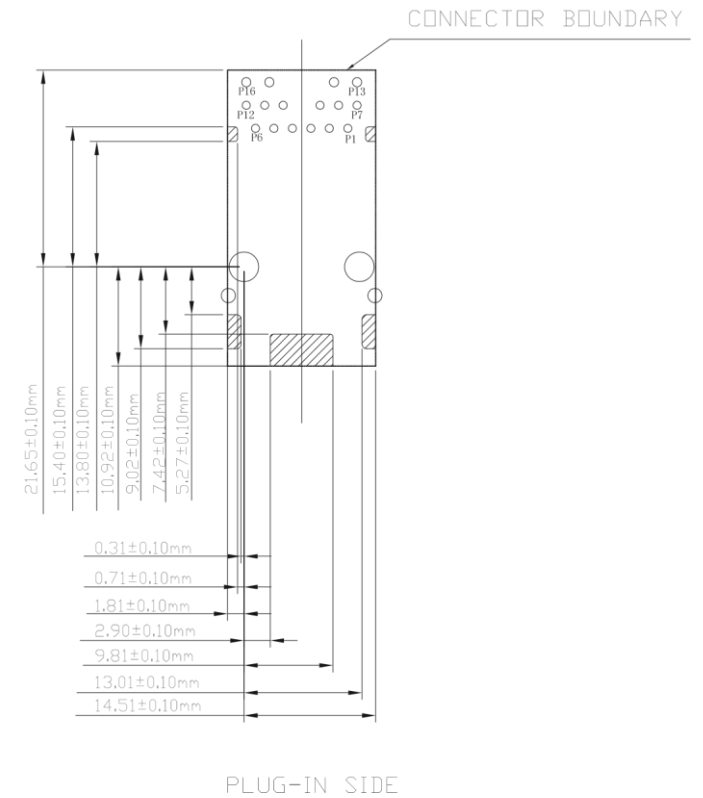


RoHS Directive compliant: 2002/95/EC LEAD FREE PRODUCT DRAWN APPROVER DIMENSIONS ARE IN MILLIMETERS TOLERANCES THIRD ANGLE PROJECTION	METRIC	Han Electronic
	Y. TOMITA	
	P. CANNING	TITLE GIGABIT MODULAR JACK 1x1 PORT, 12 CORES TAB-UP, W/LED THROUGH HOLE
	X.X ----- X.XX ----- X.XXX ----- ANGULAR ±3°	PRODUCT NO. RMG22-51xT012PU-F11Sx4S
	SIZE A4	SHEET No. OF 3
		SCALE N/A

SUGGESTED PANEL OPENNING



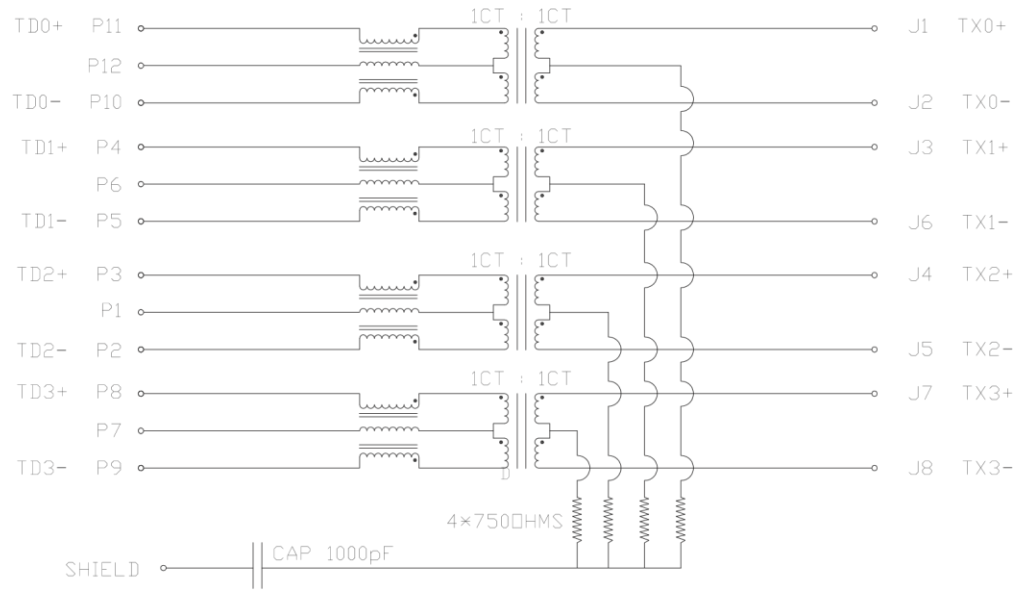
KEEP-OUT AREA (COMPONENT SIDE VIEW)



LEAD FREE PRODUCT	METRIC	Han Electronic
	DRAWN Y. TOMITA	
	APPROVER P. CANNING	TITLE GIGABIT MODULAR JACK 1x1 PORT, 12 CORES TAB-UP, W/LED THROUGH HOLE
RoHS Directive compliant 2002/95/EC	DIMENSIONS ARE IN MILLIMETERS TOLERANCES X.X ----- X.XX ----- X.XXX ----- ANGULAR ±3°	
		PRODUCT NO. RMG22-51xT012PU-F11Sx4S
	SIZE A4	SHEET NO. OF 3
		SCALE N/A

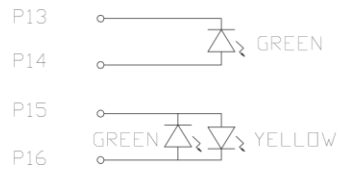
CIRCUIT SCHEMATIC

ELECTRICAL CHARACTERISTICS



Turn Ratio @100KHz :
 (P11~P10):(J1~J2) = 1.1±5%
 (P4~P5):(J3~J6) = 1.1±5%
 (P3~P2):(J4~J5) = 1.1±5%
 (P8~P9):(J7~J8) = 1.1±5%

Primary Inductance : 350uH MIN. @100KHz, 0.1V 8mA DC BIAS
 DC Resistance : 1.2OHMS MAX.
 Insertion Loss :
 1-100MHz -1.0dB MAX.
 100-125MHz -1.2dB MAX.
 Return Loss :
 1-40MHz -16dB MIN.
 40-60MHz -12dB MIN.
 60-80MHz -10dB MIN.
 80-100MHz -8dB MIN.
 CROSS TALK : 1-100MHz -30dB MIN.
 COMMON TO COMMON MODE ATTENUATION : 1-100MHz -30dB MIN.
 Isolation : PHY Side to Line Side : 2250V DC



PIN	GREEN	PIN	YELLOW	GREEN
P13	-	P15	+	-
P14	+	P16	-	+

LEAD FREE PRODUCT	METRIC	Han Electronic
	DRAWN Y. TOMITA	
RoHS Directive compliant 2002/95/EC	APPROVER P. CANNING	TITLE GIGABIT MODULAR JACK 1x1 PORT, 12 CORES TAB-UP, W/LED THROUGH HOLE
	DIMENSIONS ARE IN MILLIMETERS TOLERANCES X.X ----- X.XX ----- X.XXX ----- ANGULAR ±3°	
THIRD ANGLE PROJECTION	SIZE A4	PRODUCT NO. RMG22-51xT012PU-F11Sx4S
	SHEET NO. OF 3	SCALE N/A