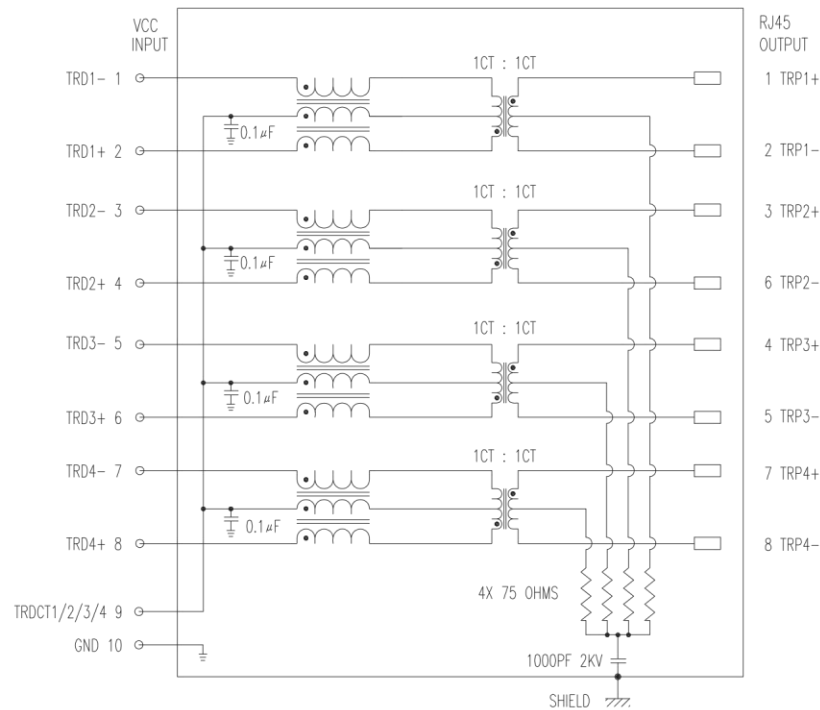


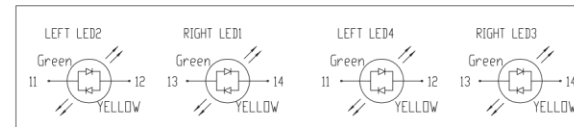


# CIRCUIT SCHEMATIC



# ELECTRICAL CHARACTERISTICS

Insertion Loss dB max	Return Loss dB min		Crosstalk(dB TYP)	Common Mode Rejection (dB TYP)	Hipot(vrms)
	1-30MHz	30- 80MHz			
1-125MHz	1-30MHz	30- 80MHz	1- 100MHz	1-100MHz	1500/1mA OR 2250DC/1 mA
-1.2	-18	-18+20log(f/30MHz)	-30	-30	



## LED Specification

Standard LED Color	LED Wavelength	Forward (V MAX)	Typical (V TYP)	Luminous Intensity
Green	560-580 nm	2.5V	2.1-2.2V	9-25 MCD
Yellow	580-610 nm	2.5V	2.1-2.2V	9-30 MCD
Orange	580-610 nm	2.5V	2.1-2.2V	50-100 MCD

- LED intensity/wavelength measured with Photo Research PR-650 Colormeter
- With a forward current of 20 mA, Absolute Maximum Ratings (Ta=25°C)

RoHS Directive compliant 2002/95/EC	DRAWN Y. TOMITA	TITLE MODULAR JACK 2x2 PORTS GIGABIT W/LED (8 CORES) THROUGH HOLE
	APPROVER P. CANNING	
	DIMENSIONS ARE IN MILLIMETERS TOLERANCES X. ±0.50 X.X ±0.38 X.XX ±0.25 X.XXX ±0.10 ANGULAR ±3°	
THIRD ANGLE PROJECTION	SIZE A4	PRODUCT NO. RMG23-x1xT040PV-F22S40S
	SHEET NO. 2 OF 2	SCALE 1 : 1