

NOTES : (UNLESS OTHERWISE SPECIFIED)

Material

- 1 Housing : Thermoplastic-Nylon 66, UL94V-0, Black
- 2 Spring Wire : 0.45×0.35mm DIA PHOSPHOR BRONZE
- 3 Shield : Copper Alloy, T=0.20mm, TIN PLATED

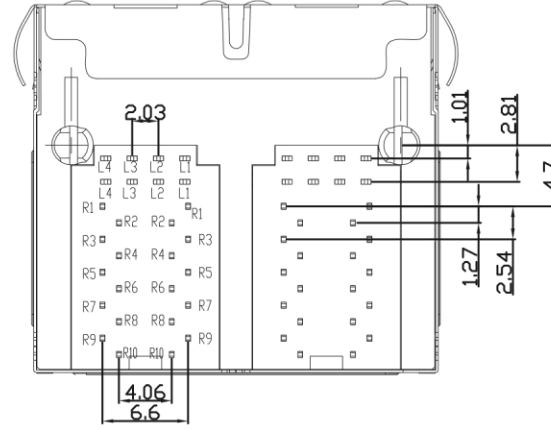
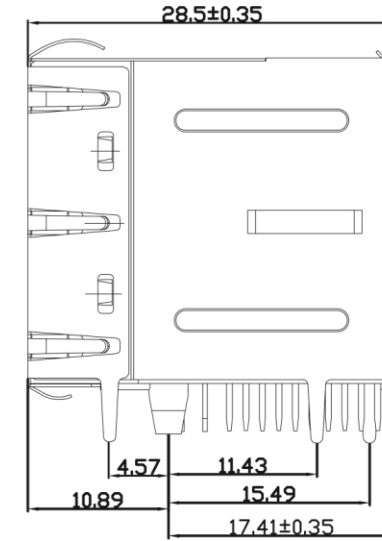
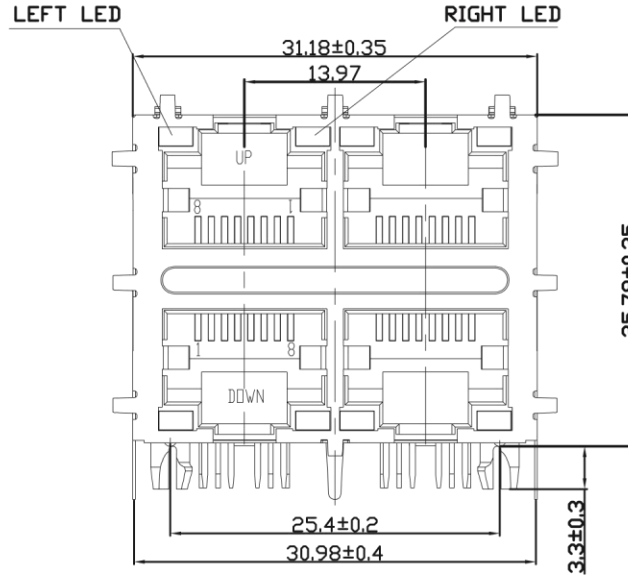
Specification

- 4 Contact Resistance : 20mΩ Max.
- 5 Contact Current : 1.5A Max.
- 6 Dielectric Withstanding Voltage : 1000V RMS
- 7 Insulation Resistance : 500MΩ Min.
- 8 Operating Temperature : -40°C ~ +70°C
- 9 Durability : 750 Cycles Min.

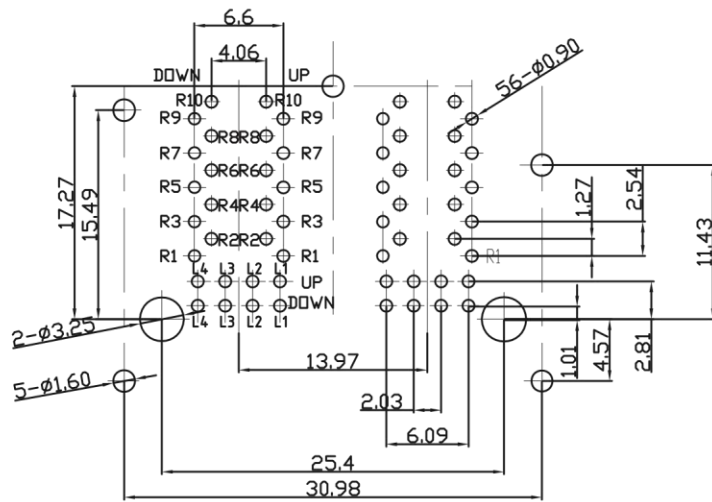
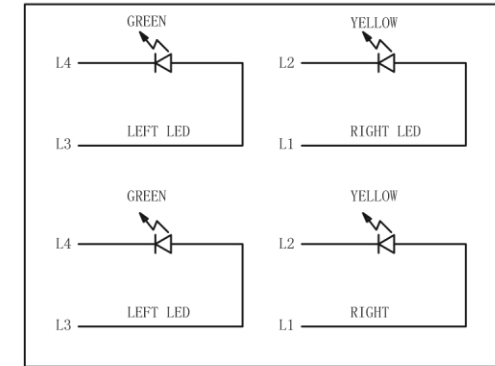
ORDER OPTION

RMG27 - 51 × T040PV - F22S40S

PLATING
 0~Au 0.2~1μ ON CONTACT AREA
 2~Au 6μ ON CONTACT AREA
 4~Au 15μ ON CONTACT AREA
 6~Au 30μ ON CONTACT AREA
 8~Au 50μ ON CONTACT AREA

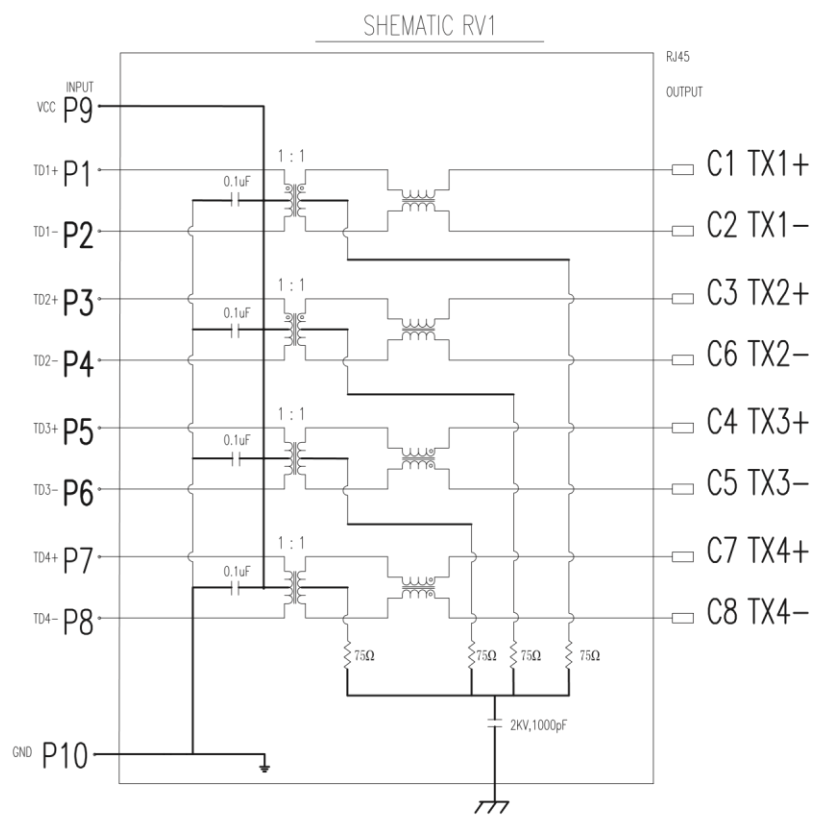


LED CONFIGURATION



SUGGESTED PCB LAYOUT
(TOP VIEW)

RoHS Directive compliant 2002/95/EC	DRAWER Y. TOMITA	TITLE MODULAR JACK 2×2 PORTS ICM 1,000 BASE-T FILTER THROUGH HOLE
	APPROVER P. CANNING	
DIMENSIONS ARE IN MILLIMETERS TOLERANCES		PRODUCT NO. RMG27-51×T040PV-F22S40S
. ---- .x ±0.38 .xx ±0.25 .xxx ---- ANGULAR ±3°		SHEET NO. 1 OF 2
THIRD ANGLE PROJECTION		SCALE N/A



ELECTRICAL SPECIFICATIONS AT 25 °C

Insertion Loss dB max	Return Loss dB min			Crosstalk (db TYP)			Common Mode Rejection (dB TYP)		Hipot (vrms)
	1-100MHz	1-30MHz	30- 60MHz	60- 80MHz	1-30MHz	30- 60MHz	60- 80MHz	1-50MHz	
-1.0	-18	-16	-12	-40	-35	-30	-30	-20	1500

RoHS Directive compliant 2002/95/EC LEAD FREE PRODUCT (Pb)	METRIC		Han Electronic
	DRAWN	Y. TOMITA	
	APPROVER	P. CANNING	
	DIMENSIONS ARE IN MILLIMETERS TOLERANCES . ---- .x ±0.38 .xx ±0.25 .xxx ---- ANGULAR ±3°		TITLE MODULAR JACK 2*2 PORTS ICM 1,000 BASE-T FILTER THROUGH HOLE PRODUCT NO. RMG27-51*T040PV-F22S40S
THIRD ANGLE PROJECTION 	SIZE A4	SHEET NO. 2 OF 2	SCALE N/A