

**NOTES :** (UNLESS OTHERWISE SPECIFIED)

MATERIAL

- HOUSING : HIGH-TEMPERATURE, UL94V-0
- CONTACT : PHOSPHOR BRONZE, T=0.30mm
- SHIELD : BRASS, T=0.20mm

REMARK

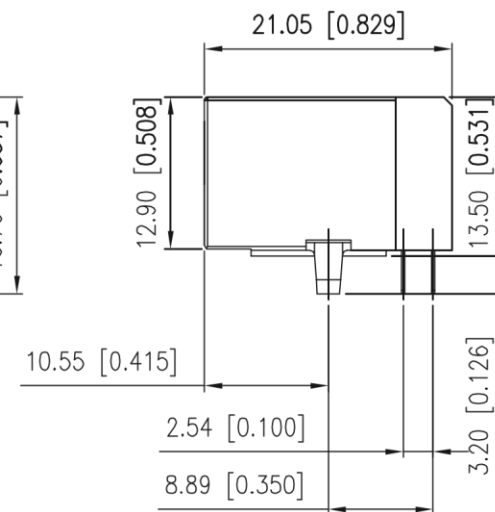
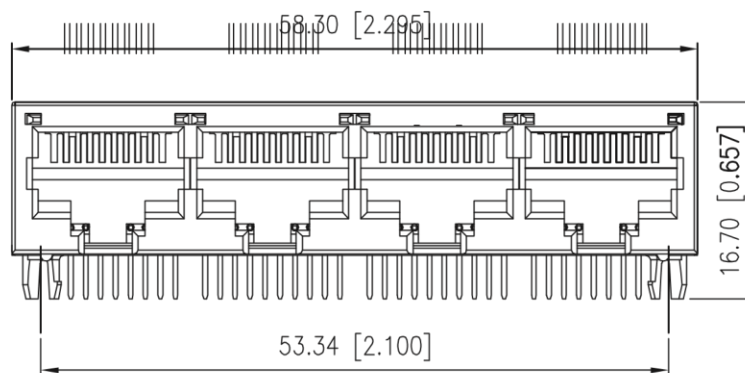
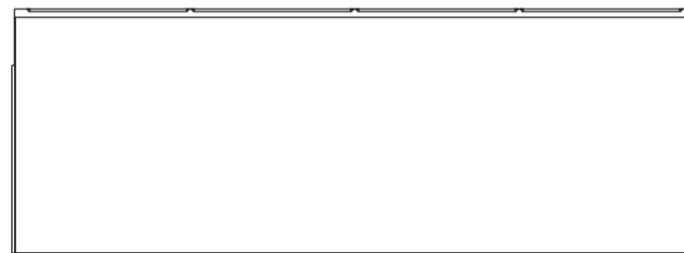
- SUITABLE FOR CAT 5 & 6 FAST ETHERNET CABLE OR BETTER UTP.
- ALL DIMENSION CONFORMING TO TIA-1096-A REGULATIONS.

ORDER OPTION

RMGFF - × 1 × T040PD - F14SNNN

PLATING  
 0~Au 0.2~1μ ON CONTACT AREA  
 2~Au 6μ ON CONTACT AREA  
 6~Au 30μ ON CONTACT AREA  
 8~Au 50μ ON CONTACT AREA

HOUSING  
 5~HIGH-TEMPERATURE PA66, UL94V-0  
 6~HIGH-TEMPERATURE PBT, UL94V-0



RoHS Directive compliant 2002/95/EC LEAD FREE PRODUCT (Pb)	<b>METRIC</b>	<b>Han Electronic</b>
	DRAWN Y. TOMITA APPROVER S. TAKESHI	
	DIMENSIONS ARE IN MILLIMETERS TOLERANCES X.X ±0.38 X.XX ±0.25 X.XXX ±0.10 ANGULAR ±3°	TITLE MODULAR JACK 10P10C, 1×4PORTS 1,000 Mbps, TAB-DOWN THROUGH HOLE
	THIRD ANGLE PROJECTION SIZE <b>A4</b>	PRODUCT NOL RMGFF-×1×T040PD-F14SNNN SHEET Np OF 3 SCALE 1 : 1

4

3

2

1

D

D

C

C

B

B

A

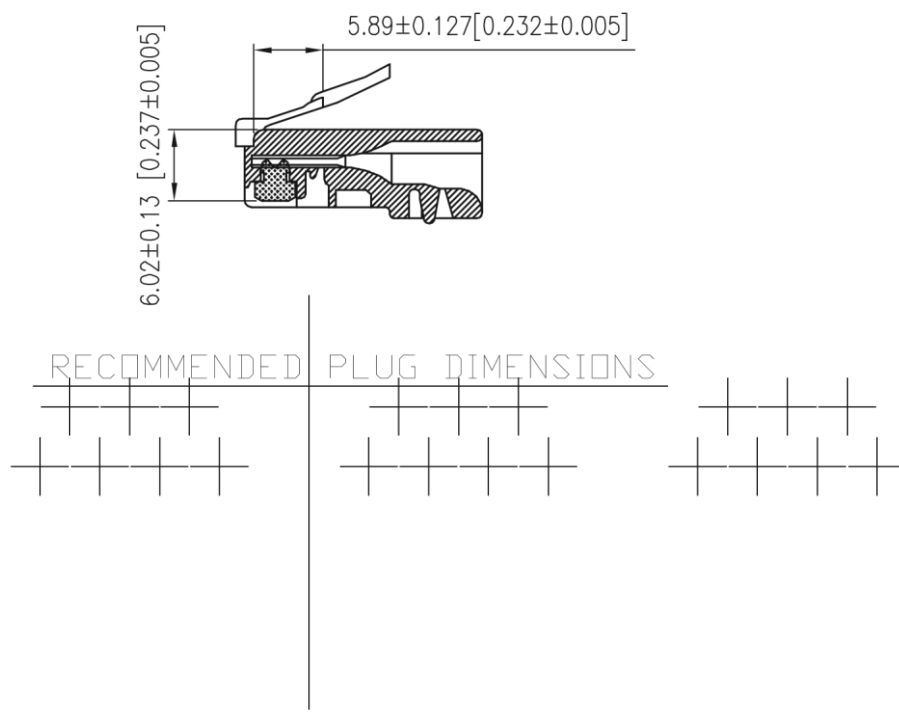
A

4

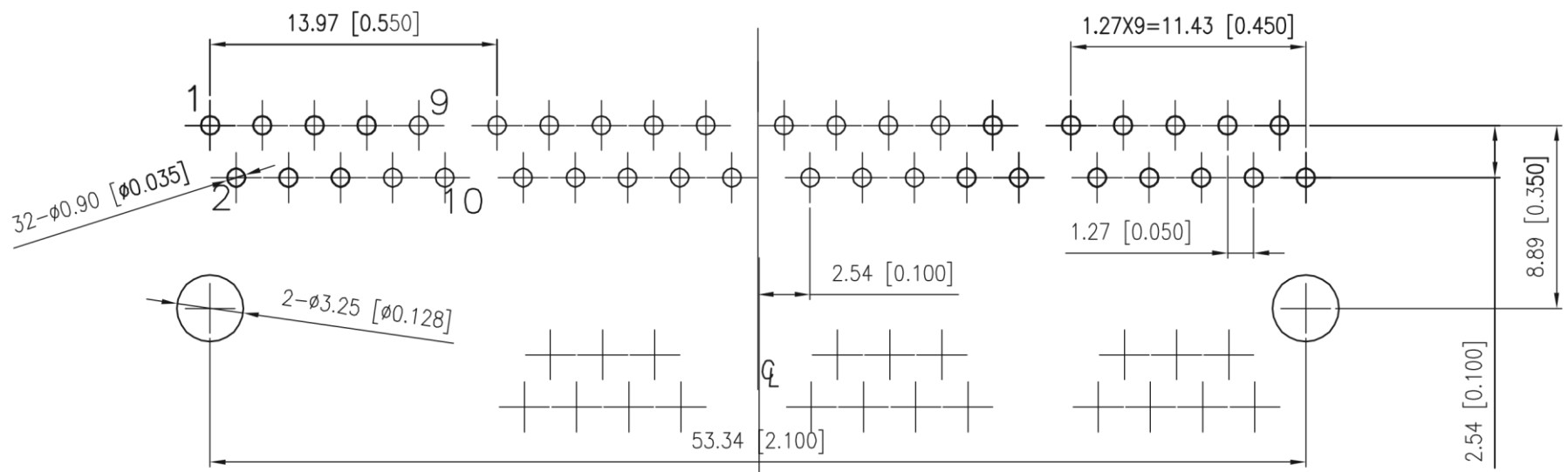
3

2

1



 RoHS Directive compliant 2002/95/EC	 <b>METRIC</b>	<b>Han Electronic</b>
	DRAWN Y. TOMITA APPROVER S. TAKESHI	
DIMENSIONS ARE IN MILLIMETERS TOLERANCES X.X $\pm 0.38$ X.XX $\pm 0.25$ X.XXX $\pm 0.10$ ANGULAR $\pm 3^\circ$	TITLE <b>MODULAR JACK          10P10C, 1×4PORTS          1,000 Mbps, TAB-DOWN          THROUGH HOLE</b>	
	 THIRD ANGLE PROJECTION	SIZE <b>A4</b>



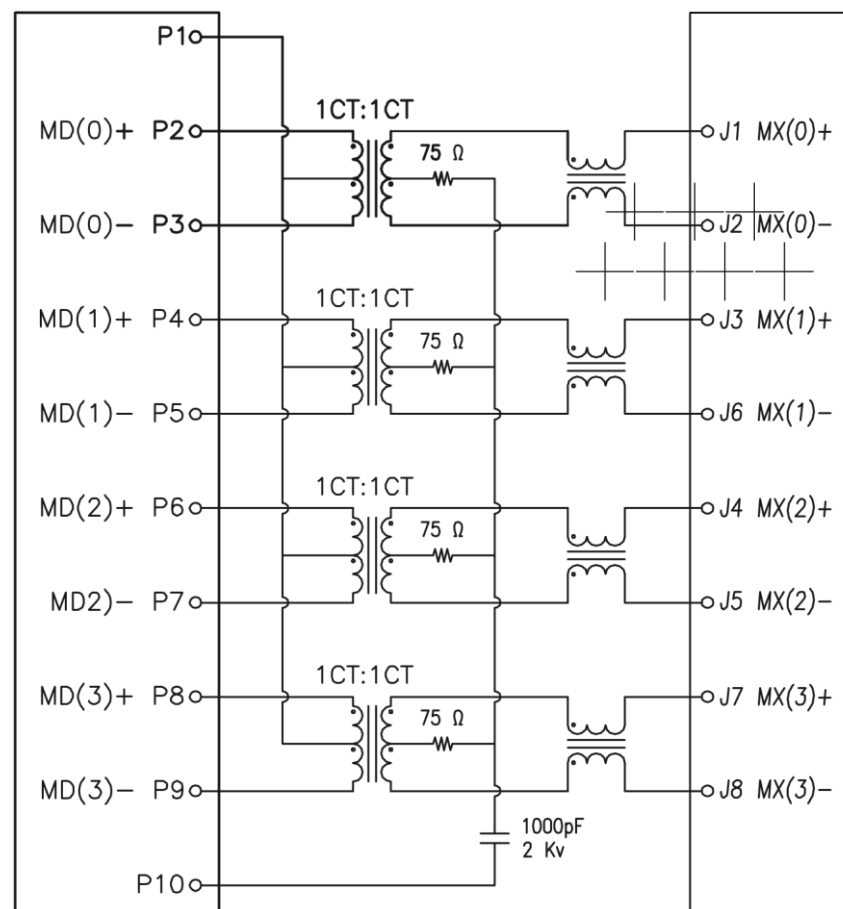
RECOMMENDED CIRCUIT BOARD LAYOUT  
 (TOP VIEW)  
 DIMENSION TOLERANCE ±0.05[0.001]

LEAD FREE PRODUCT 	<b>METRIC</b>	<b>Han Electronic</b>
	DRAWN Y. TOMITA	
APPROVER S. TAKESHI	DIMENSIONS ARE IN MILLIMETERS TOLERANCES X.X ±0.38 X.XX ±0.25 X.XXX ±0.10 ANGULAR ±3°	TITLE MODULAR JACK 10P10C, 1×4PORTS 1,000 Mbps, TAB-DOWN THROUGH HOLE
RoHS Directive compliant 2002/95/EC	THIRD ANGLE PROJECTION 	PRODUCT NO. RMGFF-×1×T040PD-F14SNNN
	SIZE <b>A4</b>	SHEET NO. OF 3
		SCALE 1 : 1

SCHEMATIC

CONNECTOR SOLDER SIDE

RJ45 CONTACT SIDE



ELECTRICAL CHARACTERISTICS

TEST NOTES:(25±5°C)

1. TR:(100KHz,0.1V);  
PINS:(P2,P3):(J1,J2)=1:1±3%;(P4,P5):(J3,J6)=1:1±3%  
PINS:(P6,P7):(J4,J5)=1:1±3%;(P8,P9):(J7,J8)=1:1±3%
2. LX:(100KHz,100mV,8mA, DC Bias)  
PINS:(P2,P3),(P4,P5),(P6,P7),(P8,P9)=350uH MINIMUM
3. DCR:  
PINS:(J1,J2),(J3,J6),(J4,J5),(J7,J8)=1.2 OHMS MAXIMUM
4. HIPOT:  
PINS(P2,P3)TO(J1,J2),(P4,P5)TO(J3,J6)=1500VAC FOR 2 SECONDS  
PINS(P6,P7)TO(J4,J5),(P8,P9)TO(J7,J8)=1500VAC FOR 2 SECONDS
5. INSERTION LOSS:  
-1.0dB MAXIMUM AT 0.3MHz TO 100MHz;
6. RETURN LOSS:  
-20dB MINIMUM AT 1MHz TO 30MHz;  
-15dB MINIMUM AT 30MHz TO 60MHz  
-10dB MINIMUM AT 60MHz TO 80MHz
7. CROSS TALK:  
-30dB MINIMUM AT 1MHz TO 100MHz
8. COMMON TO COMMON MODE REJECTION:  
-30dB MINIMUM AT 1MHz TO 100MHz

LEAD FREE PRODUCT	METRIC	Han Electronic
	DRAWN Y. TOMITA	
RoHS Directive compliant: 2002/95/EC	APPROVER S. TAKESHI	TITLE MODULAR JACK 10P10C, 1×4PORTS 1,000 Mbps, TAB-DOWN THROUGH HOLE
	DIMENSIONS ARE IN MILLIMETERS TOLERANCES X.X ±0.38 X.XX ±0.25 X.XXX ±0.10 ANGULAR ±3°	PRODUCT N° RMGFF-×1×T040PD-F14SNNN
THIRD ANGLE PROJECTION	SIZE A4	SHEET N° OF 3
		SCALE 1 : 1