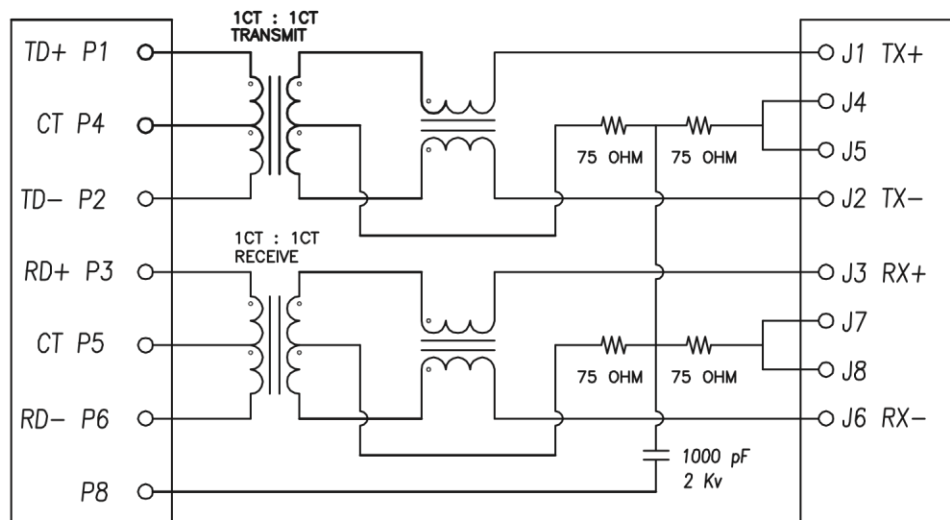


SCHEMATIC

CONNECTOR SOLDER SIDE

RJ45 CONTACT SIDE



ELECTRICAL CHARACTERISTICS

TEST NOTES:(25±5°C)

1.TR:(100KHz,0.1V);

PINS:(P1-P2):(J1-J2)=1:1±3%

PINS:(P3-P6):(J3-J6)=1:1±3%

2.LX:(100KHz,100mV,8mA, DC Bias)

PINS: (P1,P2),(P3,P6)=350uH MINIMUM

3.DCR:

PINS:(J1-J2),(J3-J6)= 1.2 OHMS MAXIMUM

4.HIPOT:

PINS(P1,P4,P2)TO(J1,J2)=1500VAC FOR 2 SECONDS

PINS(P3,P5,P6)TO(J3,J6)=1500VAC FOR 2 SECONDS

5.INSERTION LOSS:

-1.0dB MAXIMUM AT 1MHz TO 100MHz;

6.RETURN LOSS:

-20dB MINIMUM AT 1MHz TO 30MHz;

-15dB MINIMUM AT 30MHz TO 60MHz

-10dB MINIMUM AT 60MHz TO 80MHz

7.CROSS TALK:

-30dB MINIMUM AT 1MHz TO 100MHz

8.COMMON TO COMMON MODE REJECTION:

-30dB MINIMUM AT 1MHz TO 100MHz

RoHS Directive compliant 2002/95/EC	LEAD FREE PRODUCT	METRIC	Han Electronic
	DRAWER Y. TOMITA		
	APPROVER S. TAKESHI		
	DIMENSIONS ARE IN MILLIMETERS TOLERANCES X.X ±0.38 X.XX ±0.25 X.XXX ±0.10 ANGULAR ±3°	TITLE MODULAR JACK 8P8C, 10/100 Mbps W/SHIELD, TAB DOWN THROUGH HOLE	
THIRD ANGLE PROJECTION	SIZE A4	SHEET NO. 2 OF 2	SCALE 1 : 1
		PRODUCT NO. RMJFF-×1×T008PD-F11SNNN	