

NOTES : (UNLESS OTHERWISE SPECIFIED)

MATERIAL

- HOUSING : THERMOPLASTIC, UL94V-0
- CONTACT : COPPER ALLOY
- SHIELD : BRASS

SPECIFICATION

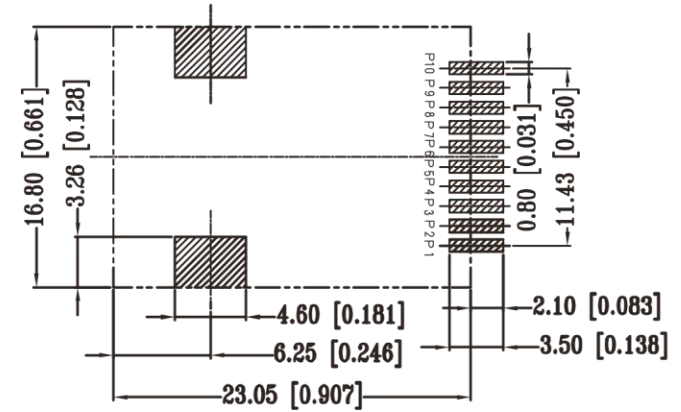
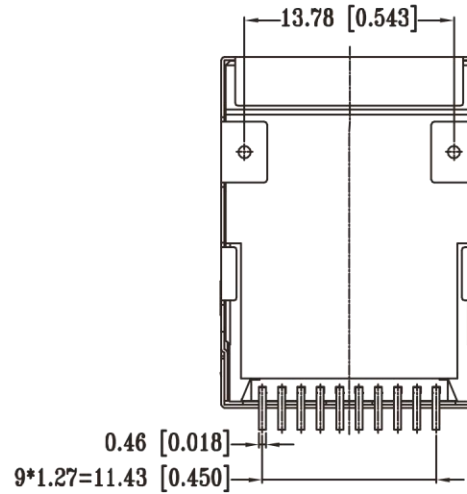
- PIN NOT ELECTRICALLY CONNECTED MAYBE OMITTED
PLEASE CHECK SCHEMATICS FOR OMITTED PINS.
- MATES PLUG CONFORMING TO TIA-1096-A REGULATIONS
- OPERATION TEMPERATURE : 0°C ~ 70°C
- STORAGE TEMPERATURE : -40° ~ +85°C
- WAVE SOLDERING TEMPERATURE :
LCP - 270°C FOR 3 SECONDS
PA66 - 260°C FOR 5 SECONDS

ORDER OPTION

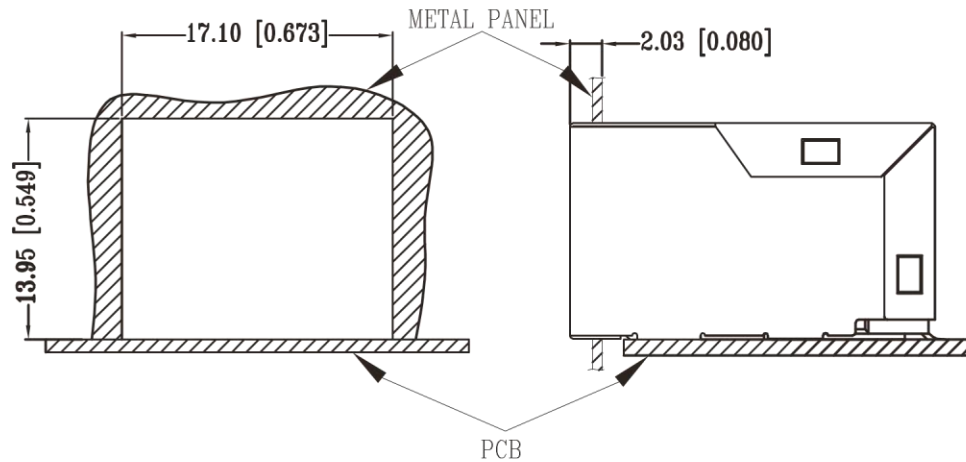
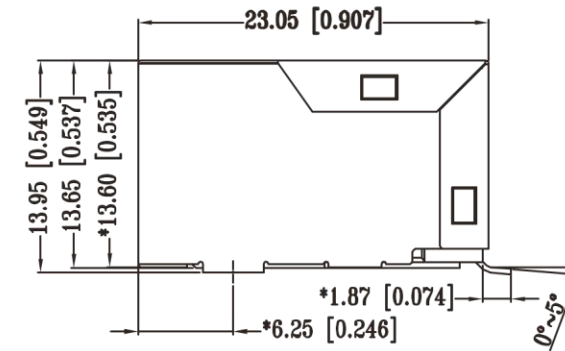
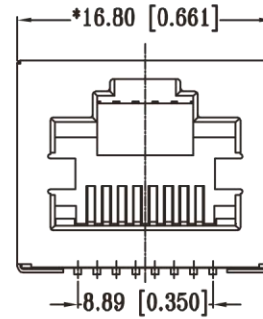
RMJS1 - × 1 × R010JU - F11SNNN

PLATING
 0~Au 0.2~1μ ON CONTACT AREA
 2~Au 6μ ON CONTACT AREA
 6~Au 30μ ON CONTACT AREA
 8~Au 50μ ON CONTACT AREA

HOUSING MATERIAL
 1~THERMOPLASTIC-LCP, UL94V-0
 5~HIGH-TEMPERATURE PA66, UL94V-0

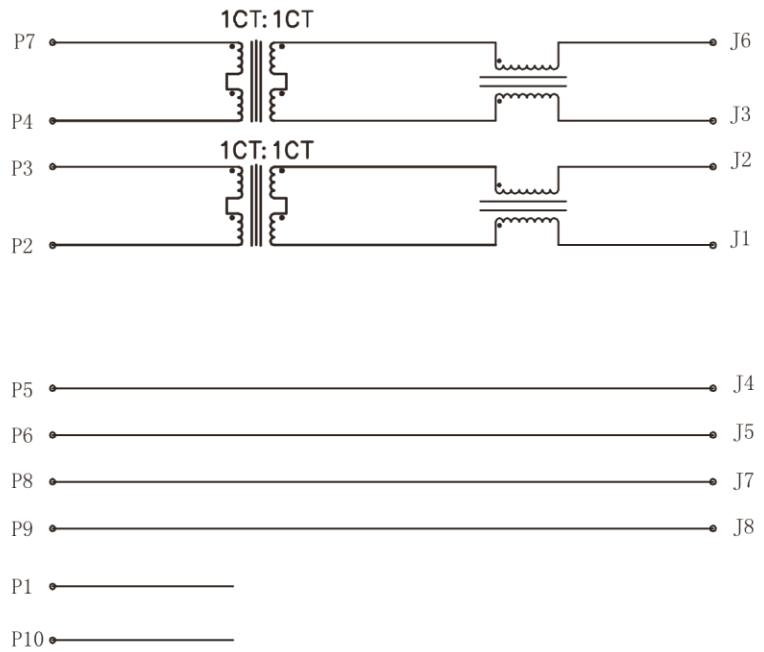


RECOMMENDED CIRCUIT BOARD LAYOUT



RoHS Directive compliant 2002/95/EC	DRAWER Y. TOMITA	Han Electronic
	APPROVER S. TAKESHI	
	DIMENSIONS ARE IN MILLIMETERS TOLERANCES X.X ±0.38 X.XX ±0.25 X.XXX ±0.10 ANGULAR ±1.5°	TITLE MODULAR JACK 10/100 MBPS, 10P10C, TAB-UP, SMT TYPE
	THIRD ANGLE PROJECTION	SIZE A4
	SHEET NO. 1 OF 2	SCALE N/1

SCHEMATIC



ELECTRICAL CHARACTERISTICS

- 1.0 TURN RATIO :
(P2~P3) : (J1~J2) : 1:1±5%
(P4~P7) : (J3~J6) : 1:1±5%
- 2.0 PRIMARY INDUCTANCE : 350uH MIN. @ 0.1V, 100KHZ, 8mA DC BIAS
- 3.0 DC RESISTANCE :
(J1~J2) : (J3~J6) : 1.2 OHMS MAX.
- 4.0 INSERTION LOSS :
1-100MHZ -1.2dB MAX.
- 5.0 RETURN LOSS :
1-30MHZ -16dB MIN.
30-60MHZ -12dB MIN.
60-80MHZ -10dB MIN.
- 6.0 CROSS TALK :
1-100MHZ -30dB MIN.
- 7.0 COMMON TO COMMON MODE ATTENUATION :
1-100MHZ -30dB MIN.
- 8.0 ISOLATION : PHY SIDE TO LINE SIDE : 500V AC

LEAD FREE PRODUCT	METRIC	Han Electronic
	DRAWER Y. TOMITA	
	APPROVER S. TAKESHI	TITLE MODULAR JACK 10/100 MBPS, 10P10C, TAB-UP, SMT TYPE
	DIMENSIONS ARE IN MILLIMETERS TOLERANCES X.X ±0.38 X.XX ±0.25 X.XXX ±0.10 ANGULAR ±1.5°	
RoHS Directive compliant 2002/95/EC	THIRD ANGLE PROJECTION	SIZE A4
	SHEET NO. 2 OF 2	SCALE N/1
	PRODUCT NO. RMJS1-×1×R010JU-F11SNNN	