

**NOTES :** (UNLESS OTHERWISE SPECIFIED)

MATERIAL

- HOUSING : HIGH-TEMPERATURE THERMOPLASTIC, UL94V-0
- CONTACT : PHOSPHOR BRONZE,  $\phi 0.46\text{mm}$

SPECIFICATION

- VOLTAGE RATING : 125V AC RMS
- CURRENT RATING : 1.5AMP
- CONTACT RESISTANCE : 20 MILLIOHMS MAX.
- INSULATION RESISTANCE : 1,000 MEGOHMS MIN. @ 500V DC
- DIELECTRIC STRENGTH : 1,500V AC OR DC RMS @ 0.5mA 50/60Hz, 1 MINUTE
- MATING/UNMATING FORCE : 30N, MAX.
- RETENTION FORCE : 50N FOR 60s,  $\pm 5\text{s}$ .
- STORAGE TEMPERATURE :  $-40^{\circ}\text{C}$ ~ $+85^{\circ}\text{C}$
- WAVE SOLDERING TEMPERATURE :  $250\pm 5^{\circ}\text{C}$  FOR 5 SECONDS
- DURABILITY : 750 CYCLES MIN.
- GUARANTEE PERIOD : 12 MONTHS

MATES WITH MODULAR JACK DIMENSION CONFORMING TO TIA-1096-A AND IEC 60603 REGULATIONS.

PRODUCT ORDER OPTION

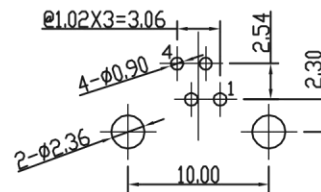
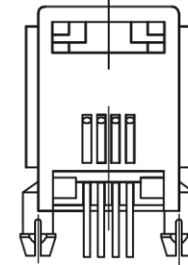
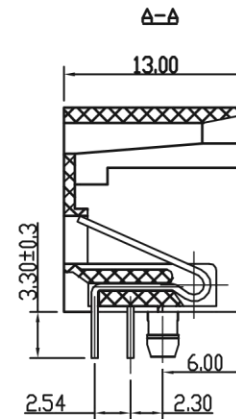
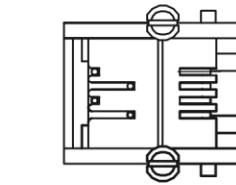
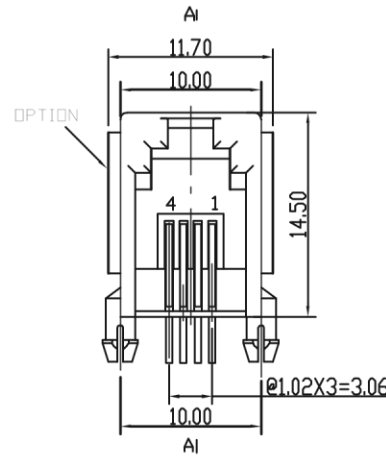
RR604-6 \* \* T00 \* PU - R11NNN \*

PANEL STOP  
P-WITH PANEL STOP  
N-WITHOUT PANEL STOP

POSITION  
2~6P2C #2,3(RJ11)  
4~6P4C #1,2,3,4(RJ14)

PLATING  
A~Au 0,2~1 $\mu$  OVERALL  
C~Au 6 $\mu$  OVERALL  
F~Au 30 $\mu$  OVERALL  
G~Au 50 $\mu$  OVERALL

HOUSING COLOR  
1~BLACK 2~BEIGE 3~WHITE  
4~GREEN 7~RED 9~COOL GRAY 3U  
0~YELLOW#114C A~BLUE  
G~GRAY 429C



RECOMMENDED PCB LAYOUT  
PCB THICKNESS=1.6mm  
AS VIEWED FROM COMPONENT SIDE  
TOLERANCE  $\pm 0.05\text{mm}$

LEAD FREE PRODUCT	<b>METRIC</b>	<b>Han Electronic</b>
	DRAWER Y. TOMITA	
RoHS Directive compliant 2002/95/EC	APPROVER K. KITAGAWA	TITLE REGISTERED JACK 4PxC, H=14.5mm R/A, THROUGH HOLE
	DIMENSIONS ARE IN MILLIMETERS TOLERANCES 00~15 $\pm 0.15$ 15~30 $\pm 0.20$ 30~ $\pm 0.25$ ANGULAR $\pm 1^{\circ}$	PRODUCT NO. RR604-6**T00*PU-R11NNN*
THIRD ANGLE PROJECTION	SIZE <b>A4</b>	SHEET NO. 1 OF 1
		SCALE 1 : 1