

**NOTES :** (UNLESS OTHERWISE SPECIFIED)

**MATERIAL**

- HOUSING : THERMOPLASTIC, UL94V-0
- CONTACT : PHOSPHOR BRONZE, T=0.35mm
- SHIELD : BRASS, T=0.20mm

**SPECIFICATION**

- VOLTAGE RATING : 125V AC RMS
- CURRENT RATING : 1.5AMP @ 25°C
- CONTACT RESISTANCE : 20 MILLIOHMS MAX.
- INSULATION RESISTANCE : 1,000 MEGOHMS MIN. @ 500V DC
- WITHSTAND VOLTAGE :
- CONTACT TO CONTACT - 1,000V DC OR AC PEAK
- CONTACT TO SCREEN AND TEST PANEL - 1,500V DC OR AC PEAK
- MATING/UNMATING FORCE : 30N, MAX.
- RETENTION FORCE : 50N FOR 60s,±5s.
- STORAGE TEMPERATURE : -40\*+85°C
- RELATIVE HUMIDITY LOWER 80%
- WAVE SOLDERING TEMPERATURE :
- PBT - 250°C FOR 5 SECONDS
- PA66 - 265°C FOR 3 SECONDS

**REMARK**

- SUITABLE FOR CAT 5 & 6 FAST ETHERNET CABLE OR BETTER UTP.
- ALL DIMENSION CONFORMING TO TIA-1096-A REGULATION.

**ORDER OPTION**

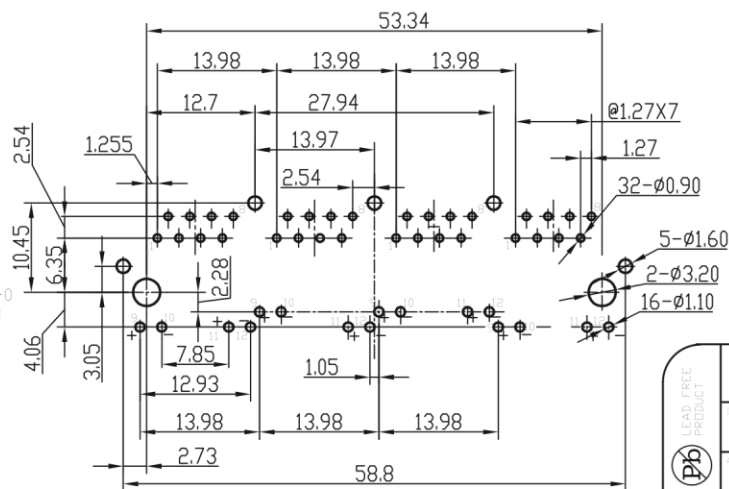
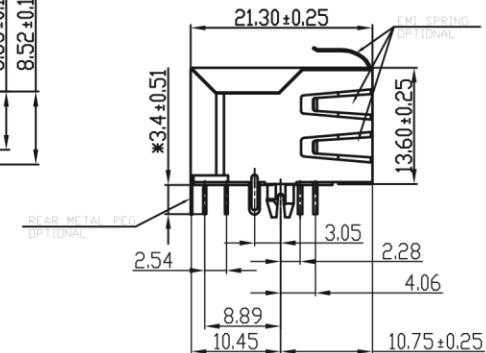
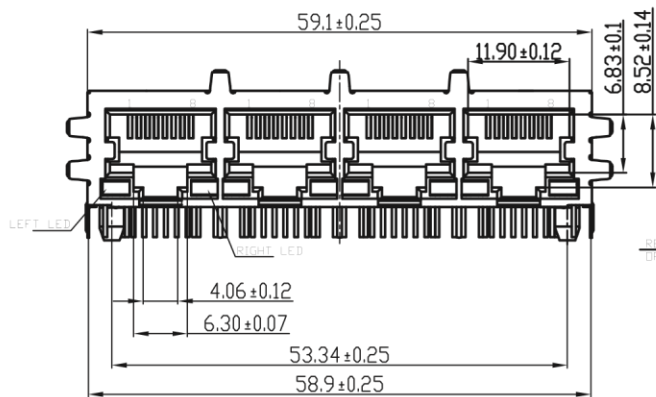
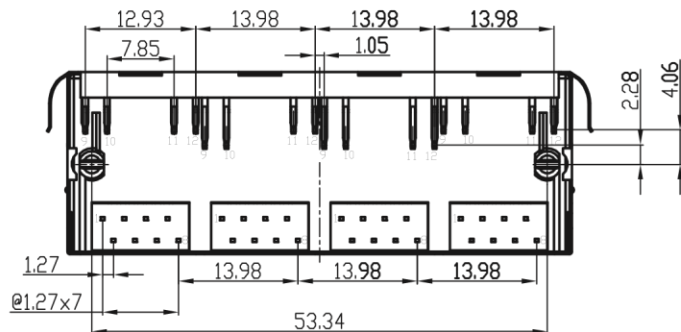
RR821 - × 1 × T008PD - F14S × × S

RIGHT LED  
3~WHITE 4~GREEN 6~ORANGE  
7~RED A~BLUE 0~YELLOW  
N~NO LED, CLOSED

LEFT LED  
(SAME AS ABOVE)

PLATING  
0~Au 0.2~1μ ON CONTACT AREA  
2~Au 6μ ON CONTACT AREA  
4~Au 15μ ON CONTACT AREA  
6~Au 30μ ON CONTACT AREA  
8~Au 50μ ON CONTACT AREA

HOUSING  
5~HIGH-TEMPERATURE PA66, UL94V-0  
6~HIGH-TEMPERATURE PBT, UL94V-0



RECOMMENDED CIRCUIT BOARD LAYOUT  
THICKNESS=1.60mm, TOLERANCE±0.05mm  
COMPONENT SIDE SHOWN

LEAD FREE PRODUCT		METRIC		Han Electronic
DRAWN	Y. TOMITA	DIMENSIONS ARE IN MILLIMETERS TOLERANCES	TITLE	
	APPROVER		S. TAKESHI	
ROHS compliant 2002/95/EC	Directive	00~15 ±0.15 15~30 ±0.20 30~ ±0.25 ANGULAR±1°	PRODUCT NO. RR821-×1×T008PD-F14S××S	
THIRD ANGLE PROJECTION	SIZE A4	SHEET NO. 1 OF 1	SCALE 1 : 1	