

NOTES (OTHERWISE SPECIFIED)

MECHANICAL

- 1 HOUSING : THERMOPLASTIC-NYLON 66, UL94V-0
- 2 TERMINAL : PHOSPHOR BRONZE, T=0.35mm

SPECIFICATION

- 1 VOLTAGE RATING : 125V AC RMS
- 2 CURRENT RATING : 1.5 AMPERES
- 3 CONTACT RESISTANCE : 35 MILLIOHMS MAX.
- 4 INSULATION RESISTANCE : 1,000 MEGOHMS MIN. @ 500V DC
- 5 DIELECTRIC STRENGTH : 1,000V DC RMS 60Hz FOR 1 MINUTE
- 6 PCB RETENTION PRE-SOLDERING FORCE : 1 LB MIN.
- 7 PCB RETENTION POST-SOLDERING FORCE : 10 LBS MIN.
- 8 DURABILITY : 750 CYCLES MIN.
- 9 OPERATION TEMPERATURE : -40°C~+85°C
- 10 STORAGE TEMPERATURE : -40°C~+85°C
- 11 WAVE SOLDERING PEAK-TEMPERATURE : 260±5°C FOR 5 SECONDS

** THIS IS A RoHS RECOGNIZED PRODUCT.
 ** THIS PRODUCT SHOULD MATE WITH MODULAR PLUG SPECIFICATIONS WHICH CONFORMING TO F.C.C. PART 68, SUB-PART F.

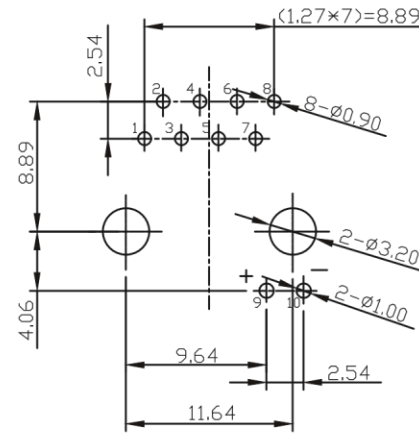
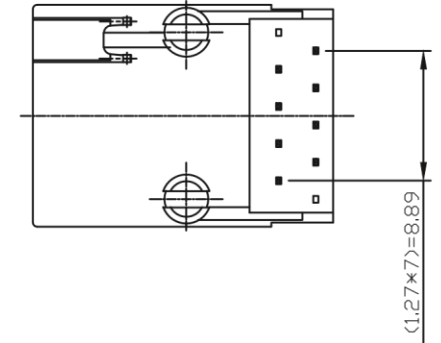
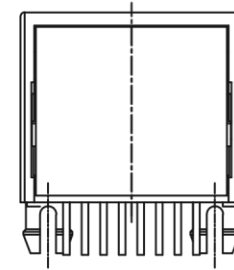
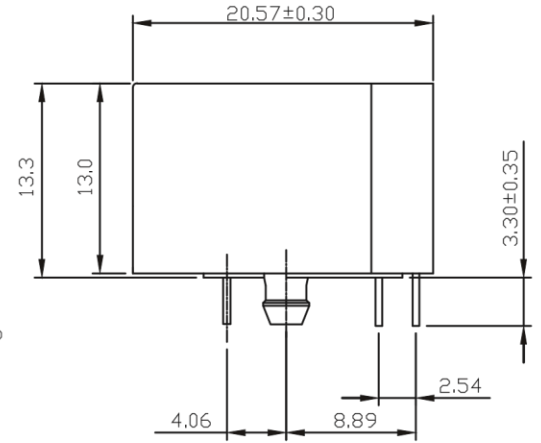
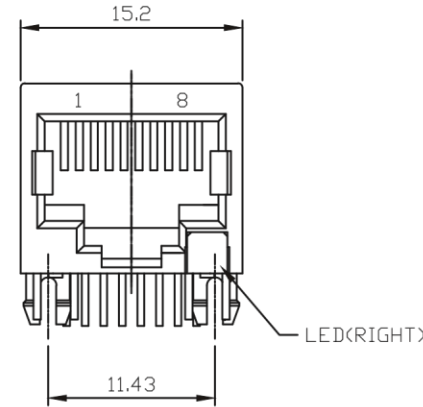
PRODUCT ORDER OPTION

RR82J-5 * * T008PD - F11NN * N

LED (RIGHT)
 3~WHITE 4~GREEN
 6~ORANGE 7~RED
 A~BLUE 0~YELLOW

PLATING (NICKEL PLATING EMBEDDED)
 0~Au 0.2~1μ ON CONTACT AREA
 1~Au 3μ ON CONTACT AREA
 2~Au 6μ ON CONTACT AREA
 4~Au 15μ ON CONTACT AREA
 5~Au 30μ ON CONTACT AREA
 6~Au 50μ ON CONTACT AREA

HOUSING COLOR
 1~BLACK 2~BEIGE
 3~WHITE 0~YELLOW
 7~RED



PCB LAYOUT COMPONENT SIDE SHOWN
 PCB THICKNESS=1.6mm
 TOLERANCE±0.05mm

QUALITY CONTROLING DEPARTMENT SHALL PRINTED THE SYMBOL AS *	METRIC		Han Electronic
	DRAWER	HAPPY	
	APPROVER	TIM, LEE	TITLE
	DIMENSIONS ARE IN MILLIMETERS TOLERANCES		REGISTERED JACK 45 10P8C, SIDE ENTRY WITH RIGHT/LED THROUGH HOLE TYPE
RoHS COMPLIANT HLF LEAD FREE	X. ---- X.X ±0.30 X.XX ±0.20 X.XXX ±0.10 ANGLES ±1°	DO NOT SCALE DRAWINGS	
	THIRD ANGLE PROJECTION		PRODUCT NUMBER
SIZE	REV.		RR82J-5*T008PD-F11NN*N
A4		SCALE	2 : 1
		SHEET	1 OF 1