

NOTES : (UNLESS OTHERWISE SPECIFIED)

MATERIAL

- ① HOUSING : HIGH-TEMPERATURE THERMOPLSTIC, UL94V-0
- ② CONTACT : PHOSPHOR BRONZE, $\phi 0.46\text{mm}$

SPECIFICATION

- ① VOLTAGE RATING : 125V AC RMS
- ② CURRENT RATING : 1.5AMP @ 25°C
- ③ CONTACT RESISTANCE : 30 MILLIOHMS MAX.
- ④ INSULATION RESISTANCE : 1,000 MEGOHMS MIN. @ 500V DC
- ⑤ DIELECTRIC VOLTAGE : 1,000VAC RMS 60Hz, 1 MIN.
- ⑥ OPERATING LIFE : 750 CYCLES MIN.
- ⑦ P.C.B. RETENTION RE-SOLDER : 1LB. MIN.
- ⑧ P.C.B. RETENTION POST-SOLDER : 10 LBS. MIN.
- ⑨ STORAGE TEMPERATURE : -40*+85°C
- ⑩ WAVE SOLDERING TEMPERATURE : 250±5°C FOR 5 SECONDS

MATES MODULAR JACK CONFORMING TO TIA-1096-A REGULATIONS.

ORDER OPTION

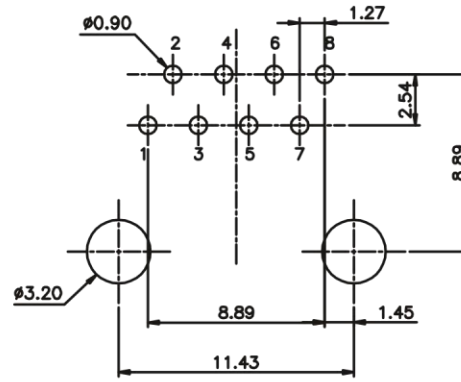
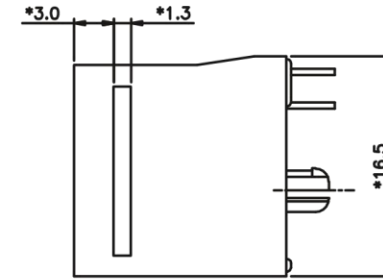
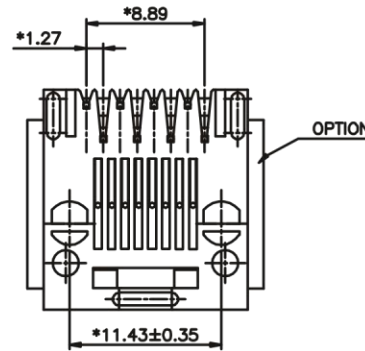
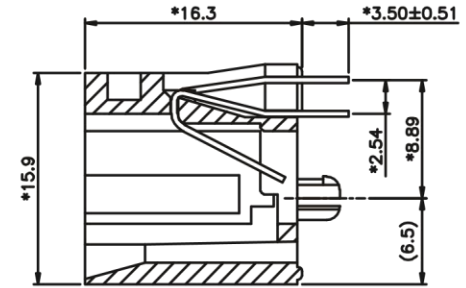
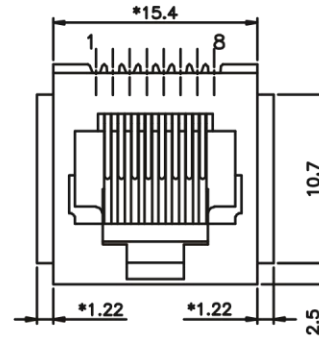
RR86L - 6 * * T00 * P6 - R11NNN * *

PANEL STOP
P~WITH PANEL STOP
N~WITHOUT PANEL STOP

POSITION
4~8P4C
8~8P8C

PLATING
A~Au 0.2~1 μ OVERALL
C~Au 6 μ OVERALL
F~Au 30 μ OVERALL
G~Au 50 μ OVERALL

HOUSING COLOR
1~BLACK 3~WHITE 4~GREEN
0~YELLOW#114C 9~COOL GRAY 3U
G~GRAY#429C



PC Board Layout Component Side Shown

RoHS Directive compliant 2002/95/EC	METRIC DRAWN Y. TOMITA APPROVED K. KITAGAWA	Han Electronic TITLE REGISTER JACK 8P×C, H=16.30mm VERTICLE, RECEPTACLE
	DIMENSIONS ARE IN MILLIMETERS TOLERANCES X.X ±0.30 X.XX ±0.20 X.XXX ±0.10 ANGULAR ±0.5°	
	THIRD ANGLE PROJECTION SIZE A4	PRODUCT NO. RR86L-6**T00*P6-R11NNN*
	SHEET NO. 1 OF 1	SCALE 3 : 1