

※NOTES※

MECHANICAL

- 1 HOUSING : HIGH-TEMPERATURE PBT, UL94V-0, COLOR BLACK
- 2 TERMINAL : PHOSPHOR BRONZE, THICKNESS=0.35mm

SPECIFICATION

- 1 VOLTAGE RATING : 125V AC RMS.
- 2 CURRENT RATING : 1.5 AMPERES
- 3 CONTACT RESISTANCE : 50 MILLIOHMS MAX.
- 4 INSULATION RESISTANCE : 1,000 MEGOHMS MIN. @ 500V DC.
- 5 DIELECTRIC STRENGTH : 1,000V AC RMS 60Hz, 1 MIN.
- 6 OPERATING LIFE : 750 CYCLES MIN.
- 7 PCB RETENTION PRE-SOLDER : 1LB MIN.
- 8 PCB RETENTION POST-SOLDER : 10 LBS MIN.
- 9 STORAGE : -40°C ~ +85°C
- 10 OPERATION : -40°C ~ +85°C

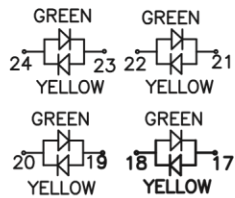
MATES WITH MODULAR PLUG CONFORMING TO FCC PART 68, SUBPART F.

PRODUCT ORDER OPTION

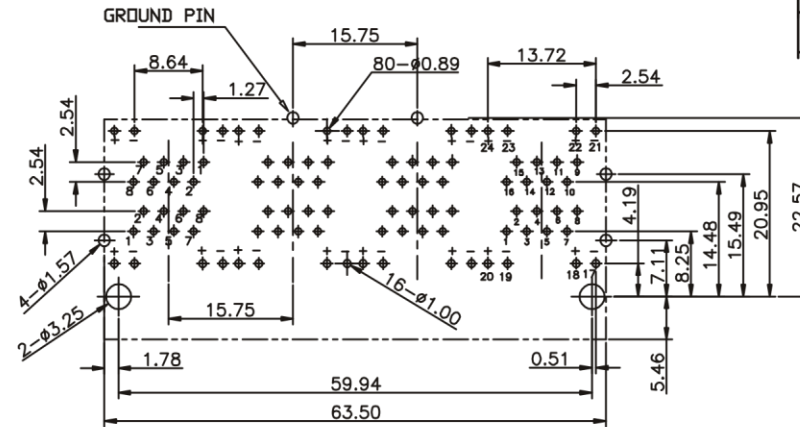
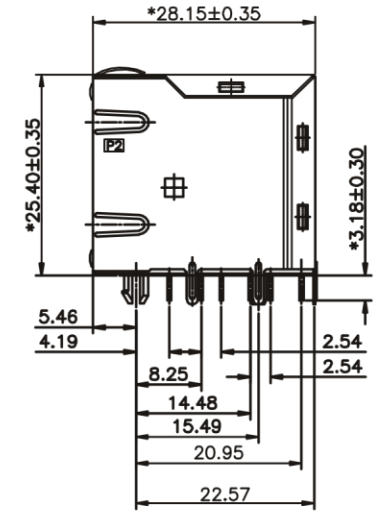
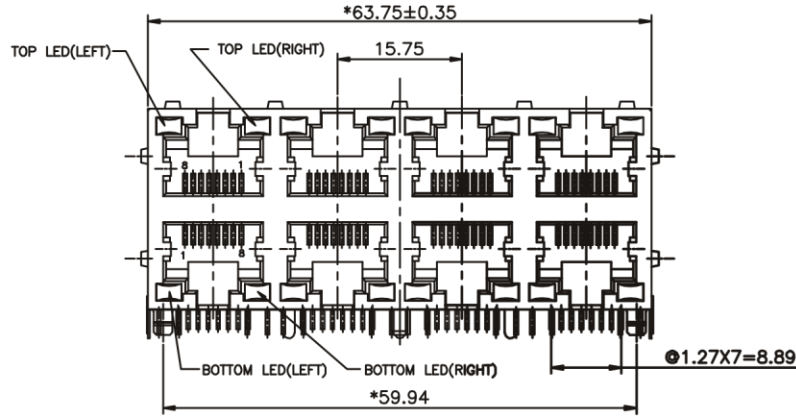
RR8SA-61 * T064JV - F24S ** N

LED COLOR RIGHT/LEFT
 3~WHITE 4~GREEN
 7~RED 0~YELLOW

PLATING
 0~Au 0.2~1μ ON CONTACT AREA OVER NICKEL
 2~Au 6μ ON CONTACT AREA OVER NICKEL



PART NO: RR8SA-612T064JV-F24S40N
 FOR USER REFERENCE



PCB LAYOUT(t=1.60mm)

REV.	MODIFICATION	DATE	MOD. BY
01	ADD G. PIN	15'1030	TIM LEE
02	MDF. G. PIN	15'1103	TIM LEE

QUALITY CONTROLING (DEPENDABLE) PLEASE THE SYMBOL AS * RoHS COMPLIANT HfP HAZARD FREE LEAD FREE	METRIC		Han Electronic	
	DRAWER: HAPPY			
	APPROVER: TIM LEE		TITLE:	
	DIMENSIONS ARE IN MILLIMETERS TOLERANCES		MINI 2x4 PORT REGISTERED 45 JACK CONNECTOR	
DO NOT SCALE DRAWINGS		PRODUCT NUMBER		
THIRD ANGLE PROJECTION		RR8SA-61*T064JV-R24S**N		
SIZE: A4	REV.: 2	SCALE: 3 : 1	SHEET 1 OF 1	