

**NOTES :** (UNLESS OTHERWISE SPECIFIED)

**MATERIAL**

- 1 HOUSING : THERMOPLASTIC-LCP, UL94V-0, COLOR BLACK
- 2 CONTACT : PHOSPHOR BRONZE

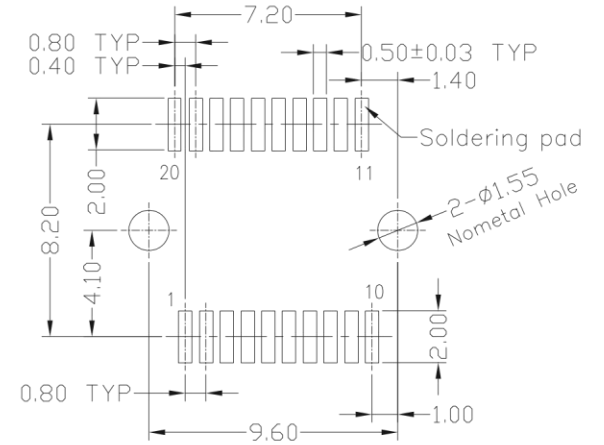
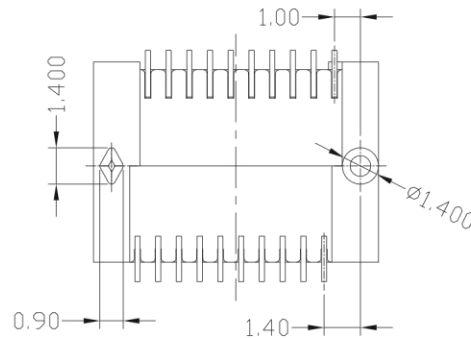
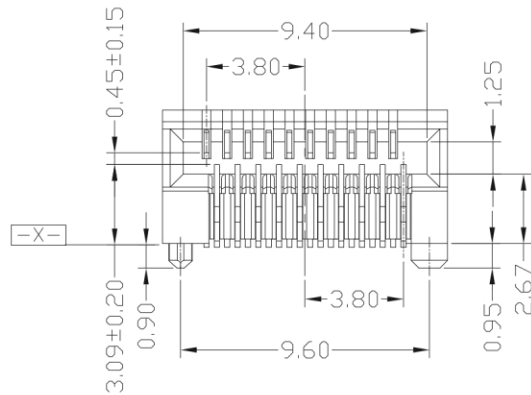
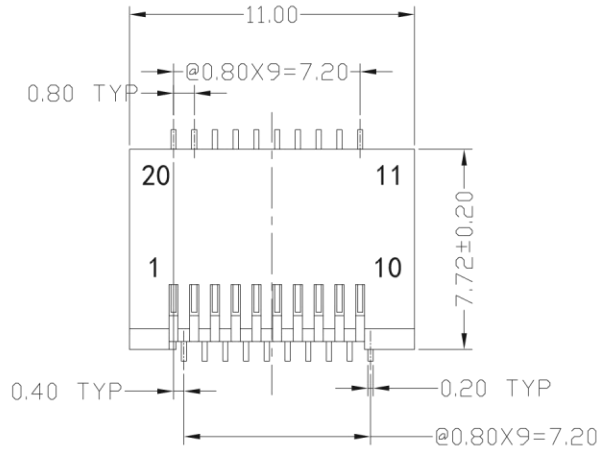
**SPECIFICATION**

- 1 DURABILITY : 100 CYCLES MIN.
- 2 INSERTION AND EXTRACTION FORCE : 40N MAX. & 11.5N MAX.
- 3 CONTACT RESISTANCE : 20 MILLIOHMS MAX, INITIAL
- 4 DIELECTRIC WITHSTANDING VOLTAGE : 300V AC/MIN.
- 5 OPERATION TEMPERATURE : -40°C ~ +85°C
- 6 STORAGE TEMPERATURE : -55°C ~ +105°C
- 7 REGLOW SOLDERING TEMPERATURE : 270°C MAX. FOR 5 SECONDS
- 8 RoHS COMPLIANTS PRODUCT.

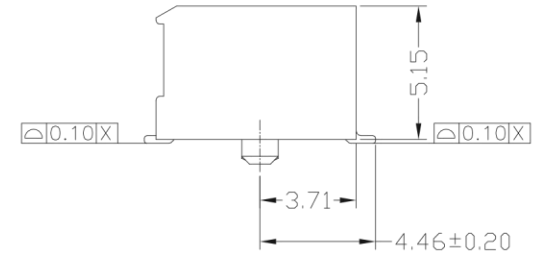
**ORDER OPTION**

RSC01 - 11 \* R020F3

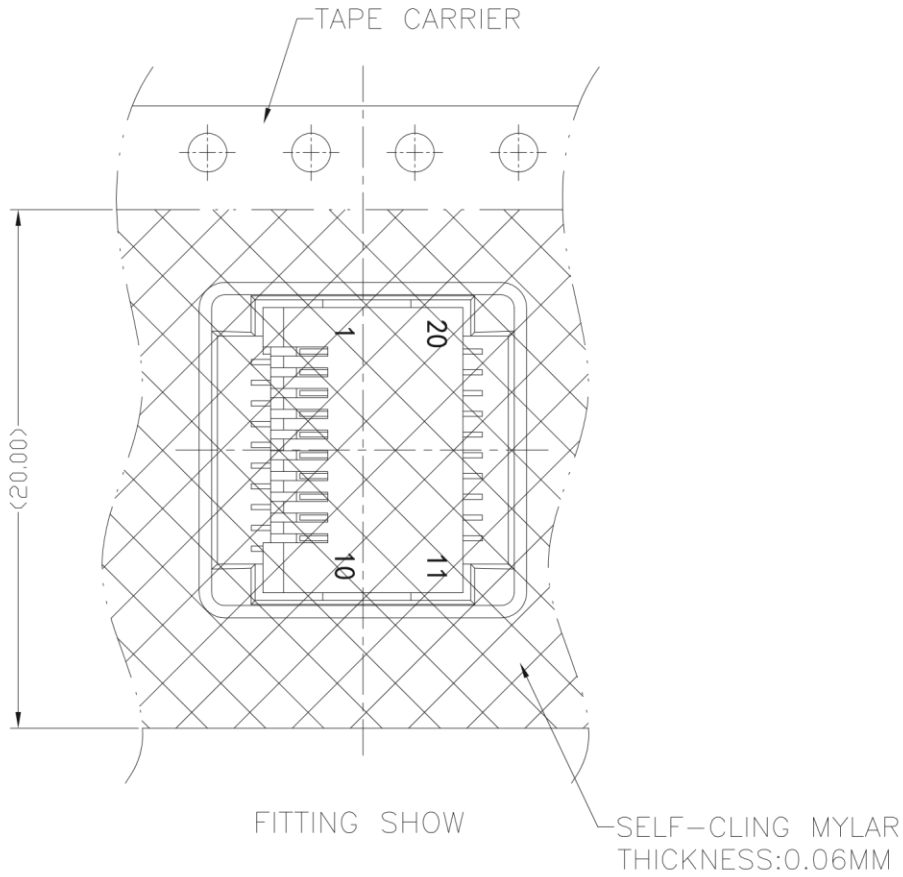
- PLATING
- 0~Au 0.2~1μ ON CONTACT AREA
  - 4~Au 15μ ON CONTACT AREA
  - 6~Au 30μ ON CONTACT AREA
  - 8~Au 50μ ON CONTACT AREA



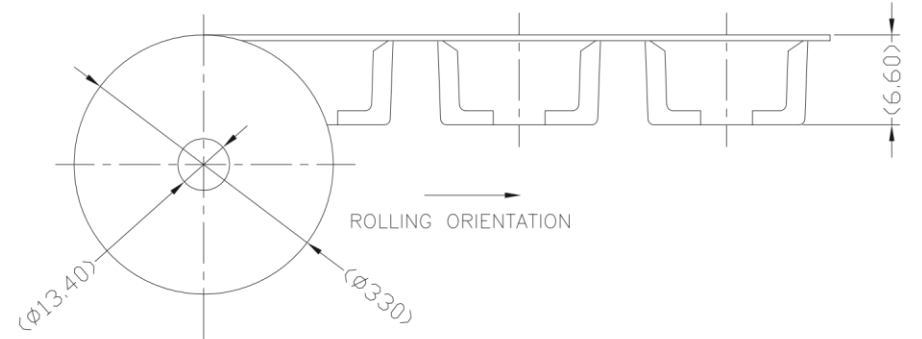
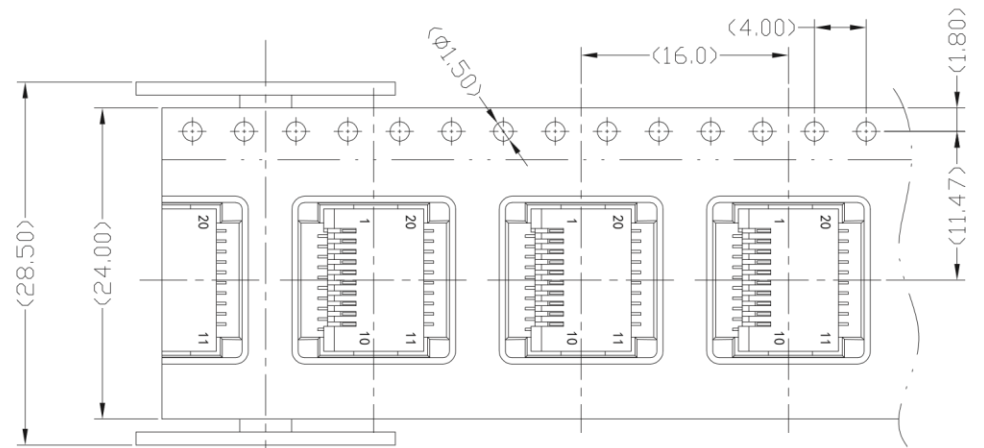
RECOMMENDED PCB LAYOUT(Top View)  
Tolerance:±0.05



RoHS Directive compliant 2002/95/EC	<b>METRIC</b>		<b>Han Electronic</b>
	DRAWER H. TANAKA		
	APPROVER K. OZAWA		
	DIMENSIONS ARE IN MILLIMETERS TOLERANCES X.X ±0.20 X.XX ±0.15 X.XXX ±0.10 ANGULAR ±0.5°	TITLE SFP 1x1 CONNECTOR PITCH 0.8mm, 20PINS RECEPTACLE, SMT	
THIRD ANGLE PROJECTION	SIZE <b>A4</b>	SHEET NO. 1 OF 2	SCALE 5 : 1
PRODUCT NO. RSC01-11xR020F3			



PACKING QUANTITY: 500PCS PER REEL.



PACKING REQUIREMENT

LEAD FREE PRODUCT	<b>METRIC</b>		<b>Han Electronic</b>
	DRAWER	H. TANAKA	
RoHS Directive compliant 2002/95/EC	APPROVER	K. OZAWA	TITLE SFP 1x1 CONNECTOR PITCH 0.8mm, 20PINS RECEPTACLE, SMT
	DIMENSIONS ARE IN MILLIMETERS TOLERANCES		
	X.X	±0.20	PRODUCT NO. RSC01-11xR020F3
	X.XX	±0.15	
	X.XXX	±0.10	SHEET NO. 2 OF 2
	ANGULAR	±0.5°	
	THIRD ANGLE PROJECTION	SIZE <b>A4</b>	SCALE 5 : 1