

NOTES : (UNLESS OTHERWISE SPECIFIED)

MECHANICAL

- 1 CAGES : COPPER ALLOY, THICKNESS 0.25mm
- 2 CONNECTOR HOUSING : THERMOPLASTIC-PA6T, UL94V-0, BLACK
- 3 INSERT MOLDED TERMINAL HOUSING : THERMOPLASTIC-LCP, UL94V-0, BLACK
- 4 LIGHTPIPES : POLYCARBONITE, UL94V-0, TRANSPARENCY
- 5 LIGHTPIPE HOLDER : THERMOPLASTIC-PA6T, UL94V-0, BLACK
- 6 CLIP : STAINLESS STEEL
- 7 TERMINAL : PHOSPHOR BRONZE.

ELECTRICAL

- 1 VOLTAGE : 120 VOLTS AC.
- 2 CURRENT : SIGNAL APPLICATION ONLY.
- 3 DIFFERENTIAL IMPEDANCE : 100 OHMS.

TEMPERATURE :

- 1 OPERATION : -40°C ~ +85°C
- 2 STORAGE : -40°C ~ +85°C

LIGHTPIPE PAD LAYOUT IS FOR LOW-PROFILE LED PACKAGE.
LED SIZE (L×W×H) : 2×1×0.4mm MAX. RoHS COMPLIANCE.

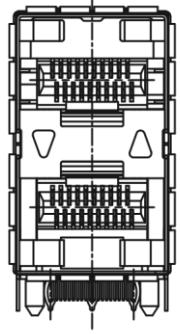
PRODUCT ORDER INFORMATION

RSS01 - 11 × T05311 - P21S ** N

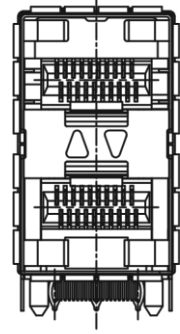
LIGHT PIPE OPTION
 NN~WITHOUT LIGHTPIPES
 YY~4 LIGHTPIPES
 YN~OUTER 2 LIGHT PIPES
 NY~INNER 2 LIGHT PIPES

PLATING
 0~Au 0.2~1μ ON CONTACT AREA
 4~Au 15μ ON CONTACT AREA
 5~Au 30μ ON CONTACT AREA

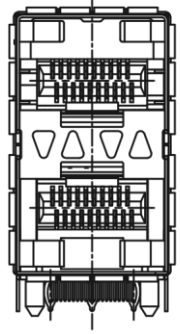
RoHS Directive compliant 2002/95/EC	METRIC	Han Electronic
	DRAWN TL, LEE	
APPROVED TIM, LEE	DIMENSIONS ARE IN MILLIMETERS TOLERANCES X.X ±0.25 X.XX ±0.15 X.XXX ±0.075 ANGULAR ±3°	TITLE STACKED SFP+ 2×1 ASSEMBLY
LEAD FREE PRODUCT	THIRD ANGLE PROJECTION	PRODUCT NO. RSS01-11×T05311-P21S**N
SIZE A4	SHEET NO. OF 4	SCALE 2 : 1



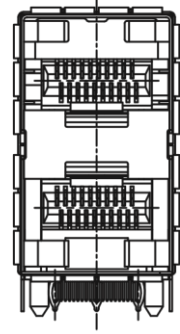
RSS01-11xT05311-P21SYNN
(OUTER LIGHT PIPES)



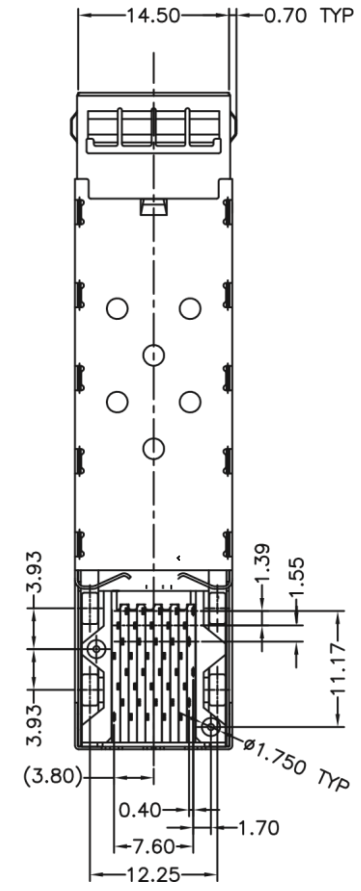
RSS01-11xT05311-P21SNYN
(INNER LIGHT PIPES)



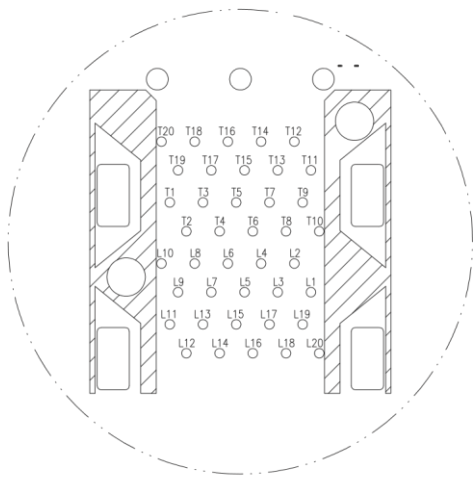
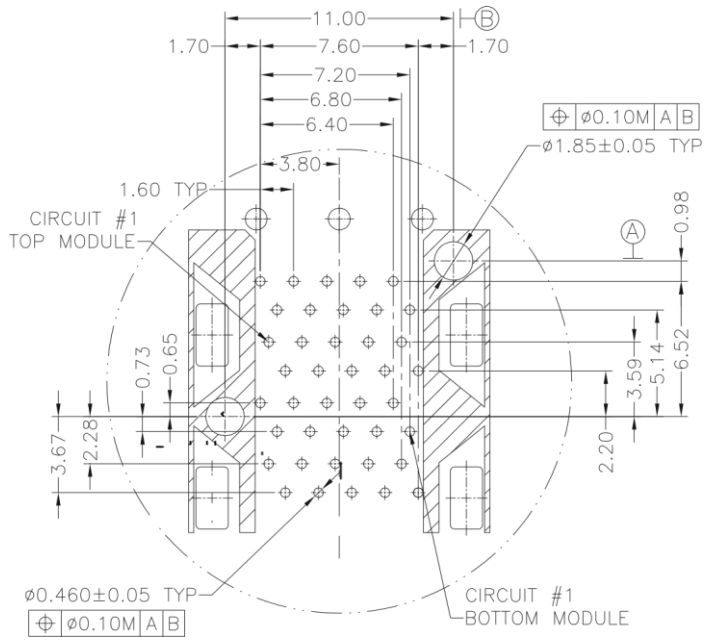
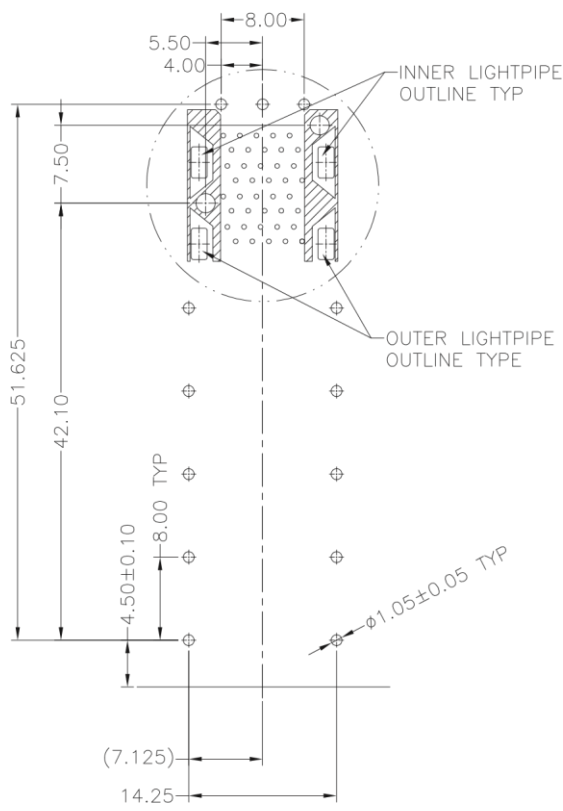
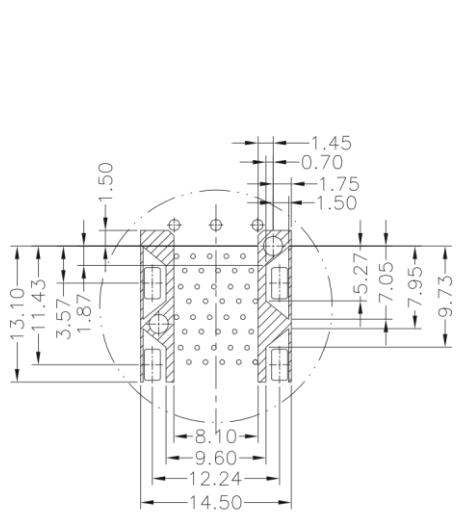
RSS01-11xT05311-P21SYNN
(FULL LIGHT PIPES)



RSS01-11xT05311-P21SYNN
(WITHOUT LIGHT PIPES)



RoHS Directive compliant 2002/95/EC	DRAWN TL, LEE	Han Electronic
	APPROVED TIM, LEE	
DIMENSIONS ARE IN MILLIMETERS TOLERANCES X.X ±0.25 X.XX ±0.15 X.XXX ±0.075 ANGULAR ±3°		TITLE STACKED SFP+ 2x1 ASSEMBLY
THIRD ANGLE PROJECTION		PRODUCT NO. RSS01-11xT05311-P21S**N
SIZE A4	SHEET NO. OF 4	SCALE 2 : 1



CONNECTOR PIN-OUT DETAIL
COMPONENT SIDE OF BOARD
SCALE: 2:1

RECOMMENDED PCB LAYOUT—COMPONENT SIDE
PCB THICKNESS 1.6MM MIN
TOLERANCE: ±0.05 MM

RoHS compliant 2002/95/EC	LEAD FREE PRODUCT	METRIC	Han Electronic
	APPROVER	TL, LEE	
	DRAWN	TIM, LEE	
	DIMENSIONS ARE IN MILLIMETERS TOLERANCES		TITLE
	X.X	±0.25	STACKED SFP+ 2×1 ASSEMBLY
	X.XX	±0.15	
	X.XXX	±0.075	PRODUCT NO.
	ANGULAR	±3°	RSS01-11×T05311-P21S×*N
	THIRD ANGLE PROJECTION	SIZE A4	SHEET NO. OF 4
			SCALE 2 : 1

4

3

2

1

D

D

C

C

B

B

A

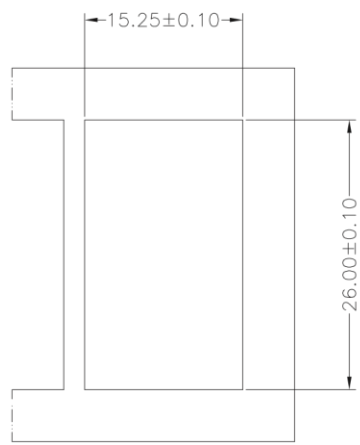
A

4

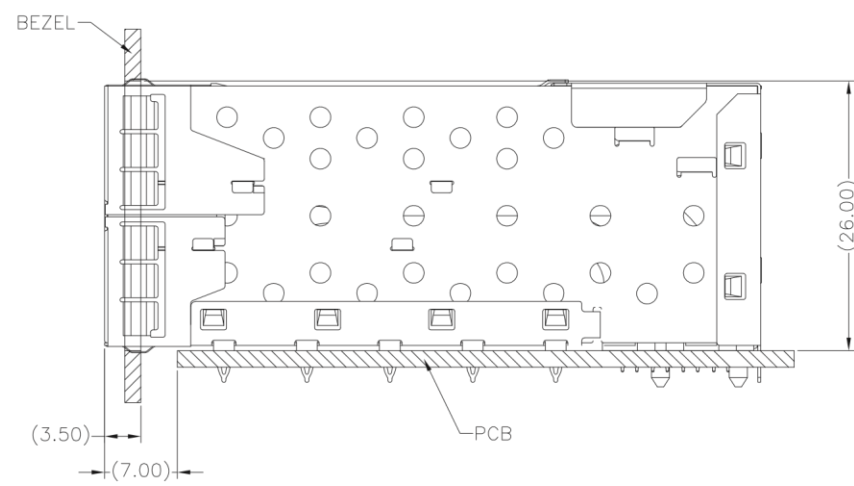
3

2

1



RECOMMENDED BEZEL CUT-OUT CENTER DETAIL
 BEZEL THICKNESS 0.8~2.6MM



RoHS Directive compliant 2002/95/EC	LEAD FREE PRODUCT 	METRIC DRAWN BY TL, LEE APPROVED BY TIM, LEE	Han Electronic	
	DIMENSIONS ARE IN MILLIMETERS TOLERANCES X.X ±0.25 X.XX ±0.15 X.XXX ±0.075 ANGULAR ±3°	TITLE STACKED SFP+ 2x1 ASSEMBLY		
THIRD ANGLE PROJECTION 		SIZE A4	SHEET NO. OF 4	SCALE 2 : 1
		PRODUCT NO. RSS01-11xT05311-P21Sx*N		