

**NOTES :** (UNLESS OTHERWISE SPECIFIED)

**MATERIAL**

- CONTACT : BRASS C2680EH, T=0.25mm
- HOUSING : THERMOPLASTIC, UL94V-0
- SHIELD : BRASS C2680H, T=0.30mm

**SPECIFICATION**

- VOLTAGE RATING : 30V
- CURRENT RATING : 1.5AMP @ 250V AC
- CONTACT RESISTANCE : 30 MILLIOHMS MAX.
- INSULATION RESISTANCE : 1,000 MEGADHMS MIN. @ 500V DC
- DIELECTRIC WITHSTANDING VOLTAGE : 500V AC
- TEMPERATURE RANGE : -20°C ~ +60°C
- INSERTION FORCE : 35N. MAX.
- EXTRACTION FORCE : 10N. MIN
- WAVE SOLDERING TEMPERATURE :
  - PBT - 250°C FOR 5 SECONDS
  - LCP - 275°C FOR 5 SECONDS

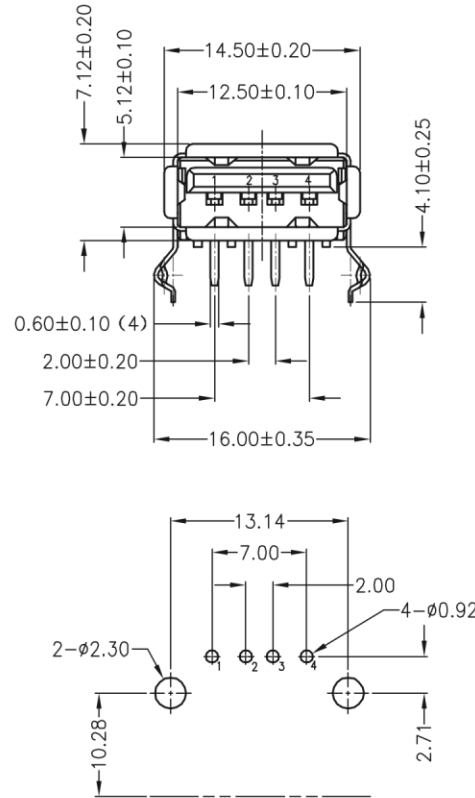
**ORDER OPTIONS**

RU601 - x x x T004M1

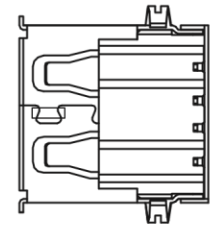
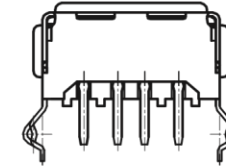
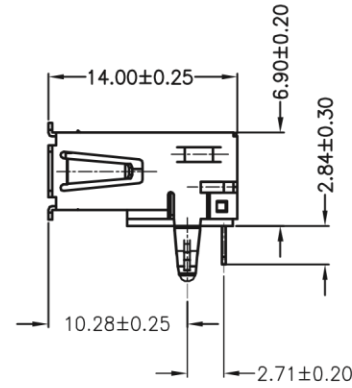
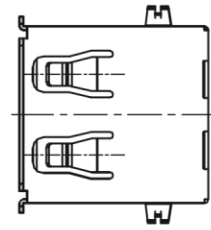
**PLATING**  
 0~Au 0.2~1μ ON CONTACT AREA  
 1~Au 3μ ON CONTACT AREA  
 4~Au 15μ ON CONTACT AREA  
 6~Au 30μ ON CONTACT AREA

**PLASTIC COLOR**  
 0~YELLOW  
 1~BLACK  
 2~BEIGE (WHITE)  
 A~BLUE

**HOUSING MATERIAL**  
 1~THERMOPLASTIC-LCP, UL94V-0  
 6~HIGH-TEMPERATURE PBT, UL94V-0



RECOMMENDED P.C.B HOLE LAYOUT  
 TOP VIEW(TOLERANCE:±0.10)



|   |  |                                |
|---|--|--------------------------------|
| RoHS Directive compliant 2002/95/EC<br>LEAD FREE PRODUCT<br>P/B | <b>METRIC</b>  | <b>Han Electronic</b>          |
|   | DRAWER<br>JJ, PARK   |                                |
|   | APPROVER<br>P. TURNEAU   |                                |
|   | DIMENSIONS ARE IN MILLIMETERS<br>TOLERANCES<br>X. ±0.38<br>X.X ±0.25<br>X.XX ±0.20<br>X.XXX ±0.10<br>ANGULAR ±3° |                                |
| THIRD ANGLE PROJECTION  | SIZE<br><b>A4</b>  | PRODUCT NO.<br>RU601-***T004M1 |
|   | SHEET NO.<br>1 OF 1  | SCALE<br>1 : 1                 |