

NOTES : (UNLESS OTHERWISE SPECIFIED)

MATERIAL

- CONTACT : COPPER ALLOY C5191H, T=0.25mm
- HOUSING : HIGH-TEMPERATURE PBT, UL94V-0
- SHIELD : BRASS C2680H, T=0.30mm

SPECIFICATION

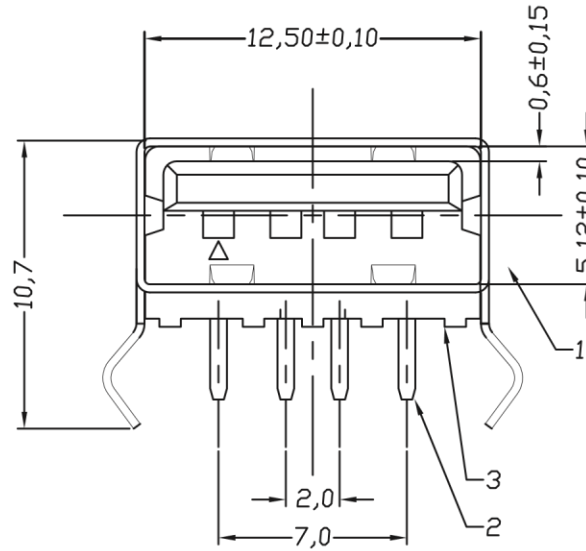
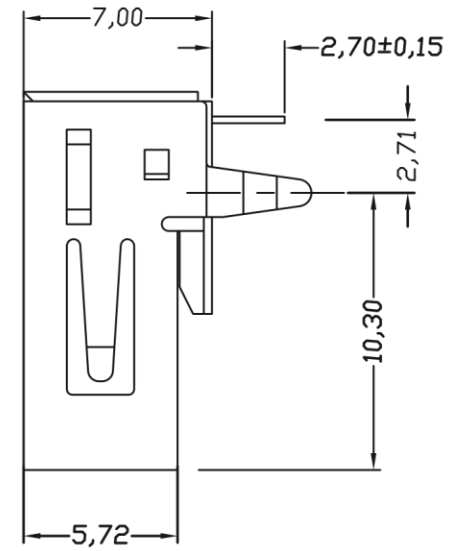
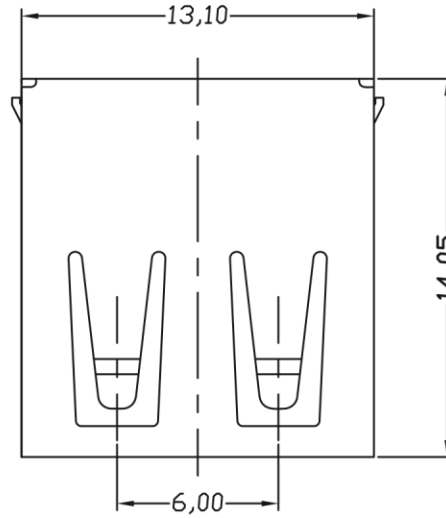
- VOLTAGE RATING : 30V
- CURRENT RATING : 1.5AMP @ 250V AC
- CONTACT RESISTANCE : 30 MILLIOHMS MAX.
- INSULATION RESISTANCE : 1,000 MEGOHMS MIN. @ 500V DC
- DIELECTRIC WITHSTANDING VOLTAGE : 500V AC
- TEMPERATURE RANGE : -20°C ~ +60°C
- INSERTION FORCE : 35N. MAX.
- EXTRACTION FORCE : 10N. MIN.
- WAVE SOLDERING TEMPERATURE : 250°C FOR 5 SECONDS

ORDER OPTIONS

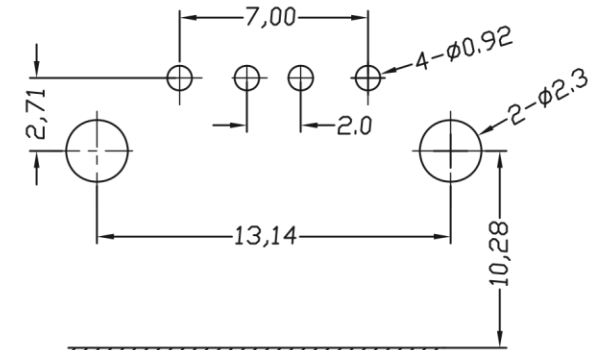
RU607 - 6 x x T004M1

PLATING
 0~Au 0.2~1μ ON CONTACT AREA
 1~Au 3μ ON CONTACT AREA
 4~Au 15μ ON CONTACT AREA
 6~Au 30μ ON CONTACT AREA

PLASTIC COLOR
 0~YELLOW
 1~BLACK
 2~BEIGE (WHITE)
 A~BLUE



RECOMMENDED P.C.B.LAYOUT



INIBRNAL PANEL.EDGE

RoHS Directive compliant 2002/95/EC	METRIC	Han Electronic
	DRAWER JJ, PARK	
	APPROVER P. TURNEAU	TITLE USB 2.0 A TYPE RECEPTACLE THROUGH HOLE NO CHAMFER
	DIMENSIONS ARE IN MILLIMETERS TOLERANCES X.X ±0.38 X.XX ±0.25 X.XXX ±0.10 ANGULAR ±3°	
THIRD ANGLE PROJECTION	SIZE A4	PRODUCT NO. RU607-6xT004M1
		SHEET NO. 1 OF 1
		SCALE 1 : 1