

NOTES: (UNLESS OTHERWISE SPECIFIED)

MATERIAL

- HOUSING : THERMOPLASTIC, UL94V-0
- CONTACT : BRASS C2680, T=0.25mm
- SHIELD : BRASS C2680, T=0.30mm

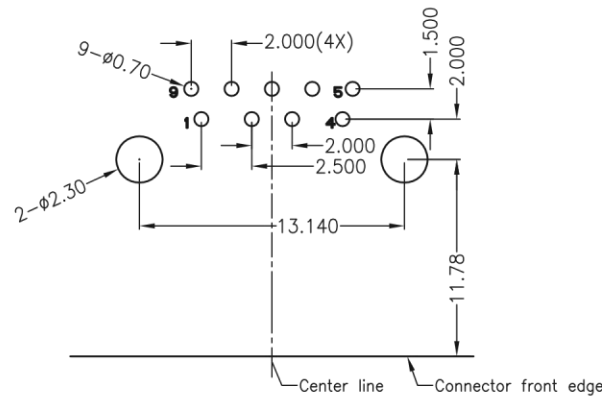
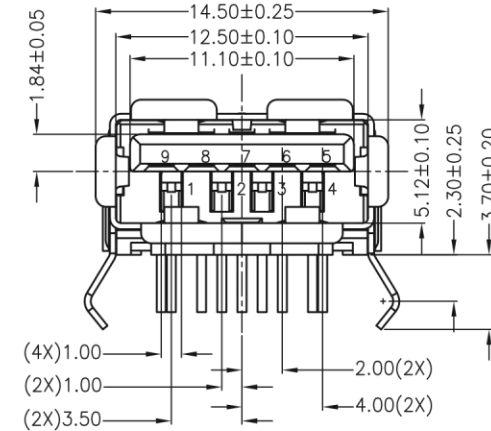
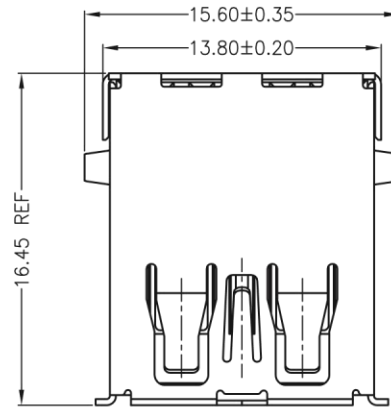
SPECIFICATION

- CURRENT RATING : 1.8 AMP AT 250V AC
- VOLTAGE RATING : 30V
- INSULATION RESISTANCE : 100MΩ MIN.
- CONTACT RESISTANCE : 300mΩ MAX.
- DIELECTRIC WITHSTANDING VOLTAGE : 100V AC
- TEMPERATURE RANGE : -25°C ~ +85°C
- INSERTION FORCE : 35N, MAX.
- EXTRACTION FORCE : 10N, MIN.
- WAVE SOLDERING TEMPERATURE PEAK :
 - PBT - 250°C FOR 5 SECONDS
 - PA6T - 265°C FOR 3 SECONDS
 - LCP - 275°C FOR 5 SECONDS

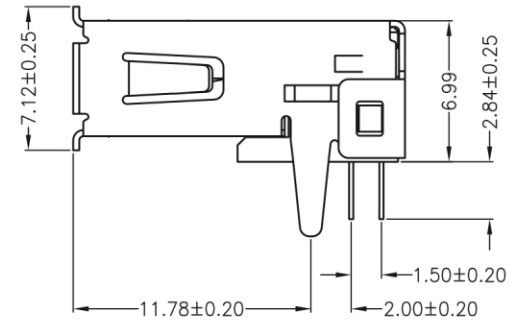
ORDER OPTION

RUA01- x x x 009M1

- PACKING METHOD
 - T~TRAY PLATE
 - F~VACUUM TUBE
- PLATING METHOD
 - 0~Au 0.2~1μ ON CONTACT AREA
 - 1~Au 3μ ON CONTACT AREA
 - 4~Au 15μ ON CONTACT AREA
 - 6~Au 30μ ON CONTACT AREA
- PLASTIC COLOR
 - 0~YELLOW
 - 1~BLACK
 - 2~BEIGE(WHITE)
 - A~BLUE
- PLASTIC MATERIAL
 - 1~THERMOPLASTIC LCP
 - 3~THERMOPLASTIC PA6T
 - 6~THERMOPLASTIC PBT



RECOMMENDED PCB LAYOUT



RoHS Directive compliant 2002/95/EC	METRIC	Han Electronic
	DRAWER K. HAILEY APPROVER P. CANNING	
	DIMENSIONS ARE IN MILLIMETERS TOLERANCES X, ±0.38 X.X ±0.25 X.XX ±0.20 X.XXX ±0.10 ANGULAR ±3°	TITLE USB 3.0 R/A TYPE RECEPTACLE THROUGH HOLE
	THIRD ANGLE PROJECTION	SIZE A4