

**NOTES:** (UNLESS OTHERWISE SPECIFIED)

**MATERIAL**

- HOUSING : THERMOPLASTIC, UL94V-0
- CONTACT : BRASS C2680, T=0.25mm
- SHIELD : BRASS C2680, T=0.30mm

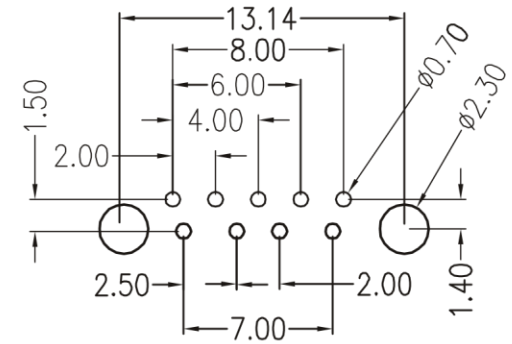
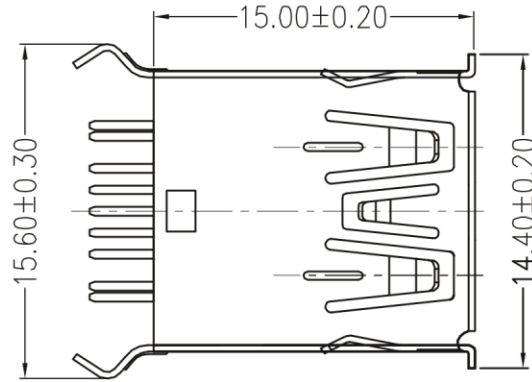
**SPECIFICATION**

- CURRENT RATING : 1.8 AMP AT 250V AC
- VOLTAGE RATING : 30V
- INSULATION RESISTANCE : 100MΩ MIN.
- CONTACT RESISTANCE : 300mΩ MAX.
- DIELECTRIC WITHSTANDING VOLTAGE : 100V AC
- TEMPERATURE RANGE : -25°C ~ +85°C
- INSERTION FORCE : 35N, MAX.
- EXTRACTION FORCE : 10N, MIN.
- WAVE SOLDERING TEMPERATURE PEAK :
  - PBT - 250°C FOR 5 SECONDS
  - PA6T - 265°C FOR 3 SECONDS
  - LCP - 275°C FOR 5 SECONDS

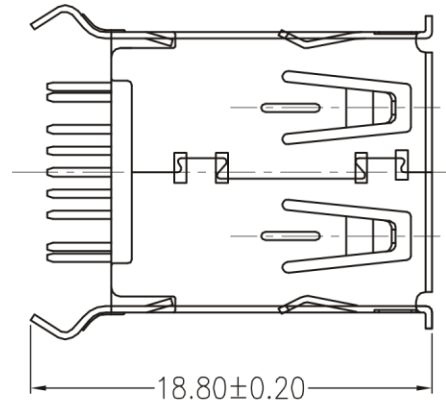
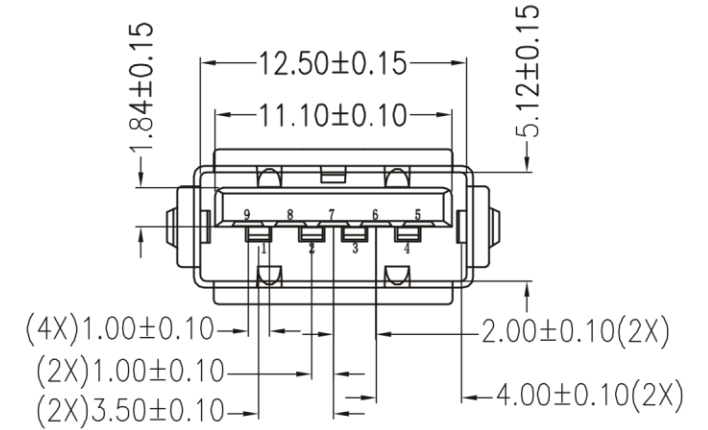
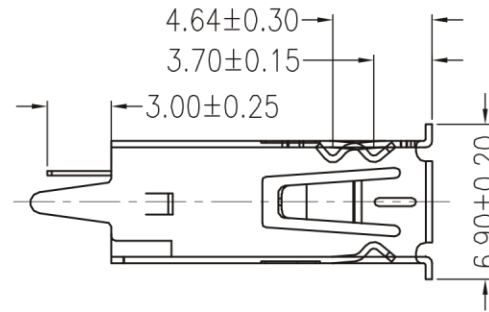
**ORDER OPTION**

RUA02- x x x 009M9

- PACKING METHOD
  - T~TRAY PLATE
  - F~VACUUM TUBE
- PLATING METHOD
  - 0~Au 0.2~1μ ON CONTACT AREA
  - 1~Au 3μ ON CONTACT AREA
  - 4~Au 15μ ON CONTACT AREA
  - 6~Au 30μ ON CONTACT AREA
- PLASTIC COLOR
  - 0~YELLOW
  - 1~BLACK
  - 2~BEIGE(WHITE)
  - A~BLUE
- PLASTIC MATERIAL
  - 1~THERMOPLASTIC LCP
  - 3~THERMOPLASTIC PA6T
  - 6~THERMOPLASTIC PBT



**PCB Layout**



RoHS Directive compliant 2002/95/EC LEAD FREE PRODUCT DRAWN APPROVED THIRD ANGLE PROJECTION	<b>METRIC</b>	<b>Han Electronic</b>
	K. HAILEY P. CANNING	
	DIMENSIONS ARE IN MILLIMETERS TOLERANCES X. ±0.38 X.X ±0.25 X.XX ±0.20 X.XXX ±0.10 ANGULAR ±3°	TITLE USB 3.0 A TYPE VERTICLE THROUGH HOLE
	SIZE <b>A4</b>	PRODUCT NO. RUA02-***x009M9
	SHEET NO. 1 OF 1	SCALE 5 : 1