

NOTES : (UNLESS OTHERWISE SPECIFIED)

MATERIAL

- SHIELD : STAINLESS STEEL, T=0.30mm
- 5 PINS HOUSING : THERMOPLASTIC-LCP, UL94V-0
- 4 PINS HOUSING : THERMOPLASTIC-LCP, UL94V-0
- 4 PINS CONTACT : COPPER ALLOY, T=0.20mm
- 5 PINS CONTACT : COPPER ALLOY, T=0.20mm
- COVER : STAINLESS STEEL, T=0.30mm

SPECIFICATION

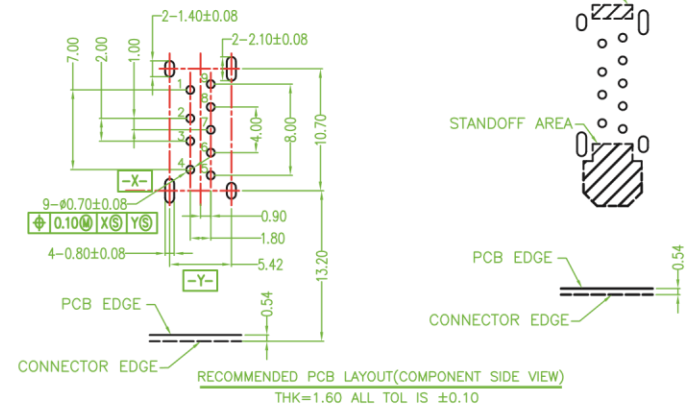
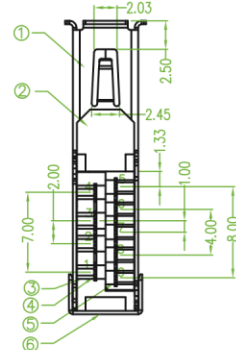
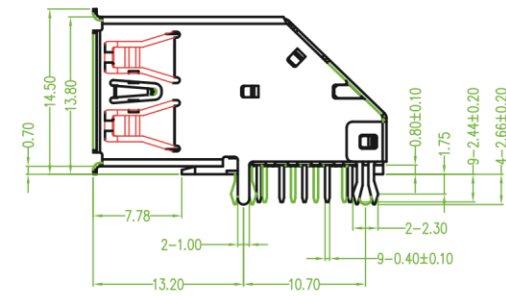
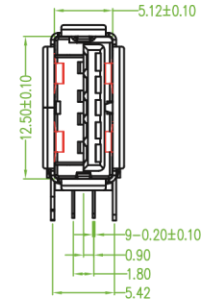
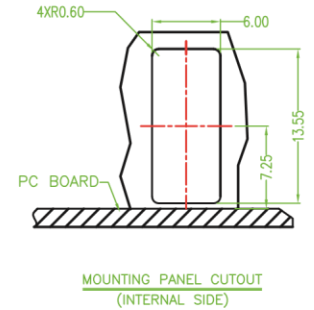
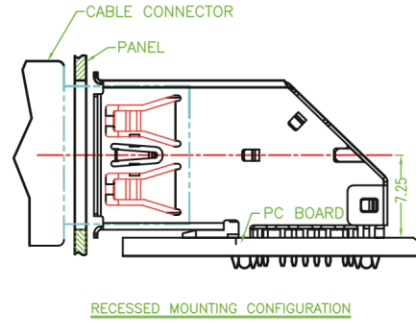
- CURRENT RATING : 1.8 AMP AT 250V AC
- VOLTAGE RATING : 30V
- INSULATION RESISTANCE : 100MΩ MIN.
- CONTACT RESISTANCE : 300mΩ MAX.
- DIELECTRIC WITHSTANDING VOLTAGE : 100V AC
- TEMPERATURE RANGE : -25°C ~ +85°C
- INSERTION FORCE : 35N, MAX.
- EXTRACTION FORCE : 10N, MIN.
- WAVE SOLDERING TEMPERATURE PEAK :
 - PBT - 250°C FOR 5 SECONDS
 - PA6T - 265°C FOR 3 SECONDS
 - LCP - 275°C FOR 5 SECONDS

ORDER OPTION

RUA03- 1 × 6 × 009MA

PACKING METHOD
T~TRAY PLATE
F~VACUUM TUBE

PLASTIC COLOR
0~YELLOW
1~BLACK
2~BEIGE(WHITE)
A~BLUE



RoHS Directive compliant: 2002/95/EC LEAD FREE PRODUCT DRAWN APPROVED THIRD ANGLE PROJECTION	METRIC	Han Electronic
	K. HAILEY	
	P. CANNING	TITLE
	DIMENSIONS ARE IN MILLIMETERS TOLERANCES	USB 3.0 A TYPE SIDE ENTRY THROUGH HOLE
	X, ±0.38 X.X ±0.25 X.XX ±0.20 X.XXX ±0.10 ANGULAR ±3°	PRODUCT NO. RUA03-1×6×009MA
THIRD ANGLE PROJECTION	SIZE A4	SHEET NO. 1 OF 1
		SCALE 1 : 1