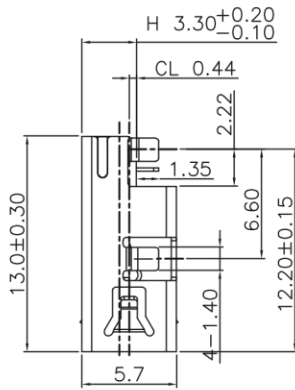
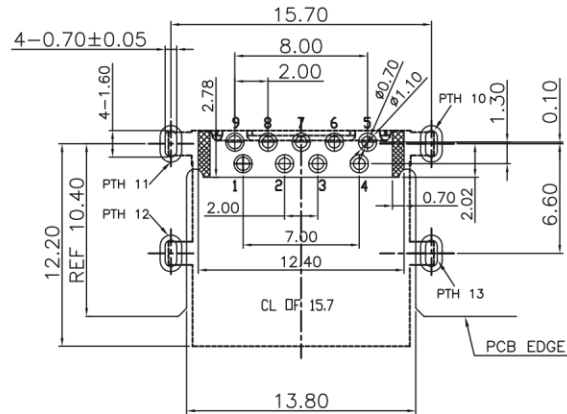
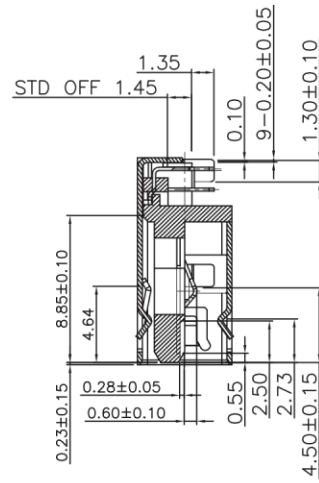


(TOP VIEW)



SECTION A-A



TOLERANCE: ±0.05, THICKNESS: 1.2mm

RECOMMENDED PCB LAYOUT

(TOP VIEW)

KEEP OUT AREA

NOTES : (UNLESS OTHERWISE SPECIFIED)

MATERIAL

- 1 HOUSING : HIGH TEMPERATURE PLASTIC, UL94V-0
- 2 CONTACT : COPPER ALLOY, T=0.20mm
- 3 SHIELD : SUS201, T=0.30mm

ELECTRICAL CHARACTERISTICS

- 1 CURRENT RATING : 1.5 AMPERES
- 2 CONTACT RESISTANCE : 30mΩ MAXIMUM
- 3 INSULATION RESISTANCE : 100 MEGOHMS MINIMUM
- 4 DIELECTRIC WITHSTANDING VOLTAGE : 500V RMS

PRODUCT ORDER INFORMATION

RUA05- * * * R009M2

PLATING

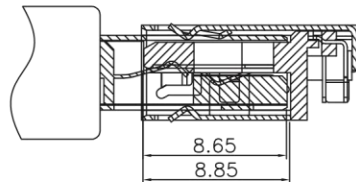
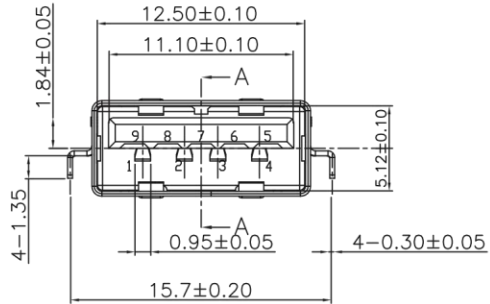
- 0~Au 0.2~1μ (CONTACT AREA)
- 1~Au 3μ (CONTACT AREA)
- 4~Au 15μ (CONTACT AREA)
- 5~Au 30μ (CONTACT AREA)

HOUSING COLOR

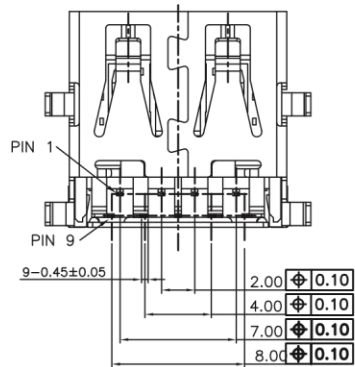
- 1~BLACK
- 2~WHITE
- A~BLUE

HOUSING MATERIAL

- 1~THERMOPLASTIC-LCP
- 3~THERMOPLASTIC-PA6T

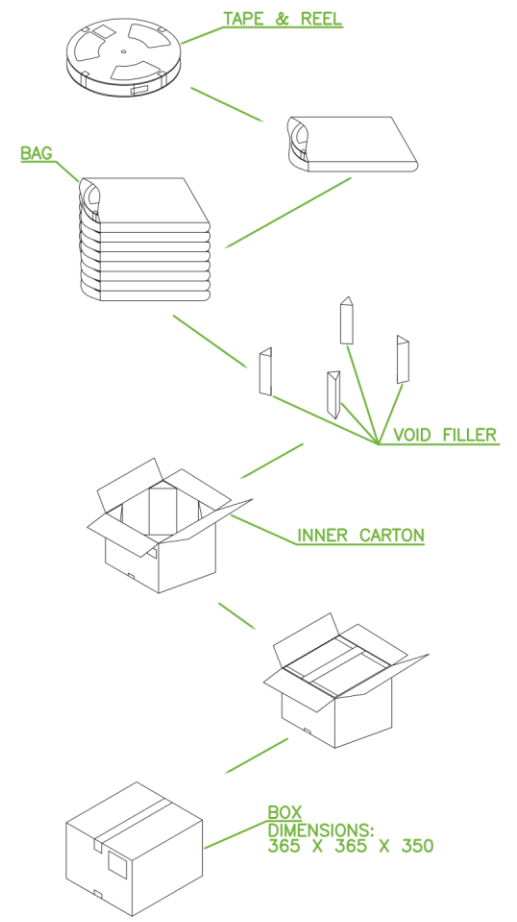
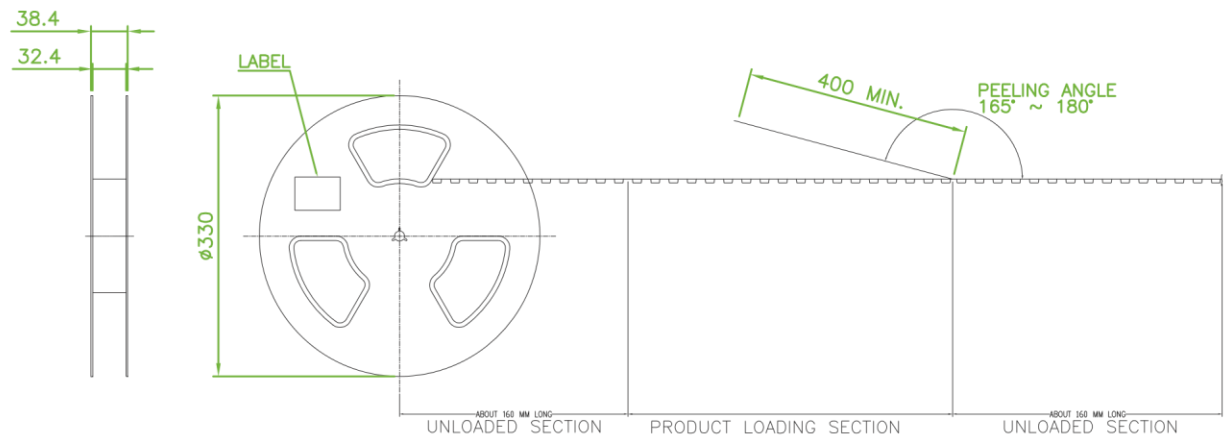


SECTION B-B

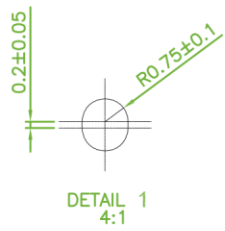
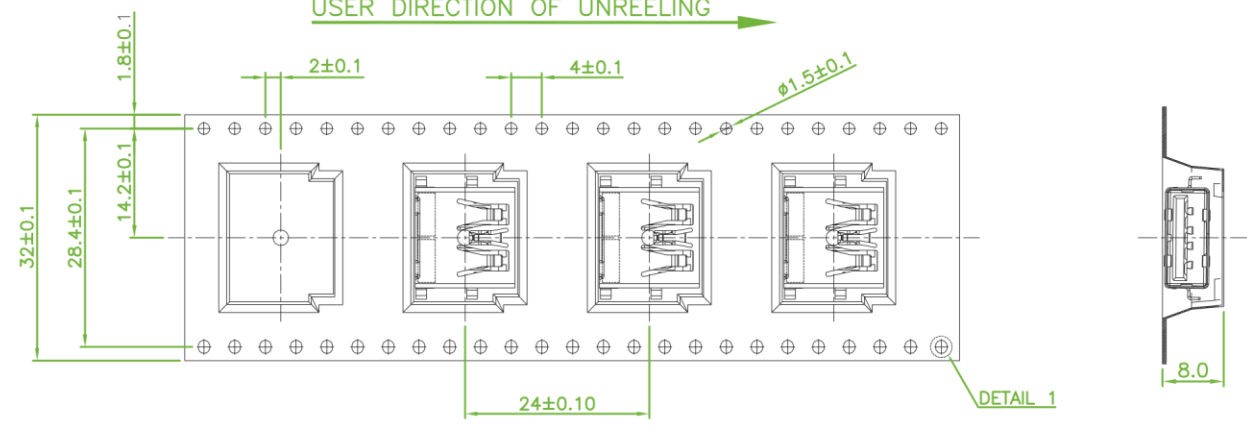


(BOTTOM VIEW)

RoHS Directive compliant 2002/95/EC	DRAWN JJ. PARK	Han Electronic
	APPROVED P. TURNEAU	
	DIMENSIONS ARE IN MILLIMETERS TOLERANCES	TITLE USB 3.0 A/F STD CL 0.44mm DIP TYPE
	THIRD ANGLE PROJECTION	SIZE A4
	SHEET NO. 1 OF 2	SCALE N/A



USER DIRECTION OF UNREELING →



- NOTE:
- MATERIAL :
 BOX : FIBREBOARD, CORRUGATED, DOUBLE WALL
 TAPE : POLYSTYRENES, HEAT-RESISTANT TEMPERATURE : 120°C, BLACK COLOR.
 REEL : POLYSTYRENES, HEAT-RESISTANT TEMPERATURE : 70°C, BLUE COLOR.
 BAG : POLYETHYLENE, HEAT-RESISTANT TEMPERATURE : 100°C
 - PEELING STRENGTH : 0.1~1.3N (10~130 GRAMS)
 - PEELING SPEED : 300 mm/min
 - EACH BAG SHALL BE INCLUDED DESICCANT.
 - 400 PCS PER REEL, 8 REELS PER CARTON. (TOTAL 3,200PCS/CARTON)

RoHS Directive compliant 2002/95/EC LEAD FREE PRODUCT DRAWN APPROVER DIMENSIONS ARE IN MILLIMETERS TOLERANCES THIRD ANGLE PROJECTION	METRIC JJ. PARK P. TURNEAU	Han Electronic TITLE USB 3.0 A/F STD CL 0.44mm DIP TYPE PRODUCT NO. RUA05-***R009M2	
	DIMENSIONS ARE IN MILLIMETERS TOLERANCES X.X ±0.25 X.XX ±0.15 X.XXX ±0.05 ANGULAR ±1.5°		
	SIZE A4	SHEET NO. 2 OF 2	SCALE N/A