

※NOTES※

MECHANICAL

- ① HOUSING : PBT+30%G.F., UL94V-0
- ② SHELL : STEEL, NICKEL PLATED
- ③ CONTACT(S) : BRASS
- ④ HARPOON : STEEL, TIN PLATED
- ⑤ RIVET : COPPER ALLOY, NICKEL PLATED
- ⑥ SCREW : EMBEDDED #4-40 FOR ASSEMBLY

SPECIFICATION

- ① CURRENT RATING : 1 AMPERE DC
- ② VOLTAGE RATING : 300V DC
- ③ CONTACT RESISTANCE : 20 MILLIOHMS MAX.
- ④ DIELECTRIC WITHSTANDING VOLTAGE : 500V AC MIN.
- ⑤ INSULATION RESISTANCE : 1000 MEGOHMS MIN.
- ⑥ MATING FORCE : 5,5Kgf MAX.
- ⑦ UNMATING FORCE : 1.0 Kgf MIN.
- ⑧ OPERATION TEMPERATURE : -55°C ~ +85°C

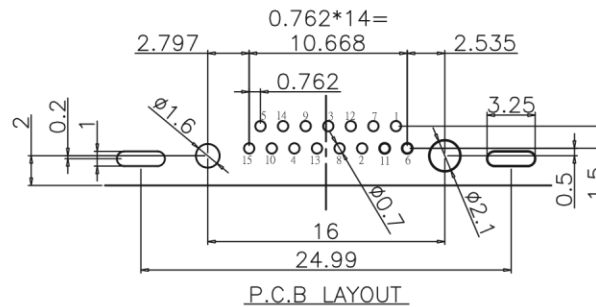
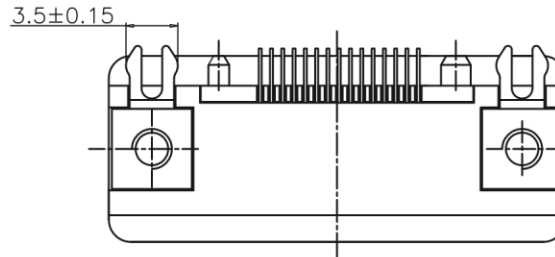
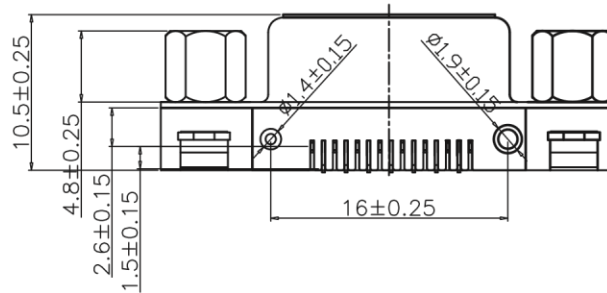
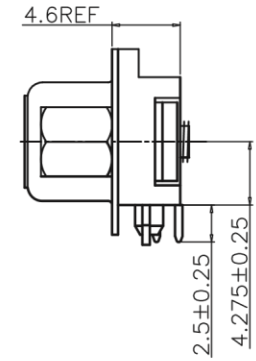
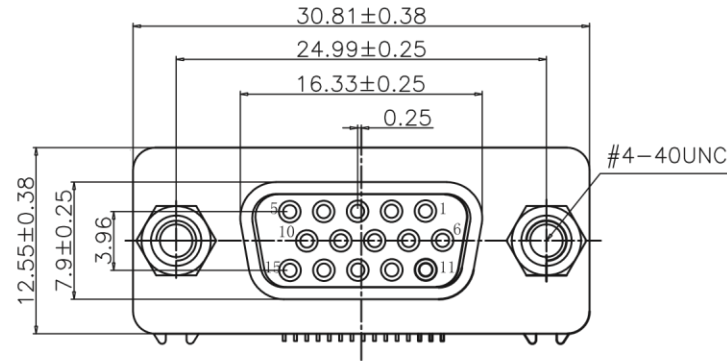
PRODUCT ORDER OPTION

RVGY \* - 6 \* \* T015G1

PLATING  
 A~Au 0.2~1μ OVERALL  
 B~Au 3μ OVERALL  
 D~Au 10μ OVERALL  
 -----

HOUSING COLOR  
 1~BLACK  
 2~BEIGE  
 8~PURPLE  
 A~BLUE

RANDOM CODE  
 1~COPPER ASS'Y SCREW TYPE (4.8×10)  
 2~COPPER ATTACHED SCREW TYPE (4.8×10)  
 3~STEEL ASS'Y SCREW TYPE (4.8×10)  
 4~STEEL ATTACHED SCREW TYPE (4.8×10)



QUALITY CONTROLING 品質管理 品質保証 THE SYMBOL AS ★	<b>METRIC</b>		<b>Han Electronic</b>	
	DRAWER SHARON			
RoHS COMPLIANT 環境対応 環境配慮	APPROVER P. TURNEAU	DIMENSIONS ARE IN MILLIMETERS TOLERANCES		TITLE VGA D-SUB 15 PINS RECEPTACLE, TRIPLE ROW RIGHT ANGLE, OFF-STD CONNECTOR
	DO NOT SCALE DRAWINGS		X.            ---- X.X        ±0.35 X.XX      ±0.25 X.XXX     ±0.15 ANGLES    ±2°	
HIF HAN ELECTRONIC	THIRD ANGLE PROJECTION		PRODUCT NUMBER RVGY*-6**T009G1	
SIZE <b>A4</b>	REV.	SCALE NONE	SHEET 1 OF 1	