

NOTES : (UNLESS OTHERWISE SPECIFIED)

MATERIAL

- ☐ A TERMINAL : BRASS
- ☐ B CASE : THERMOPLASTIC-LCP, UL94V-0
- ☐ C COVER : STAINLESS STEEL, NICKEL PLATED
- ☐ D STEM : STAINLESS STEEL, SILVER PLATED

SPECIFICATION

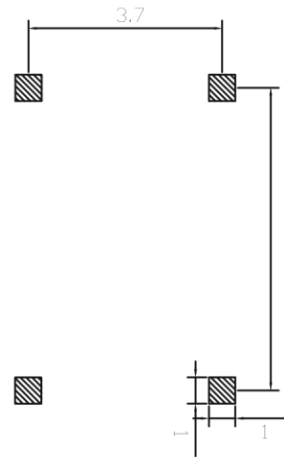
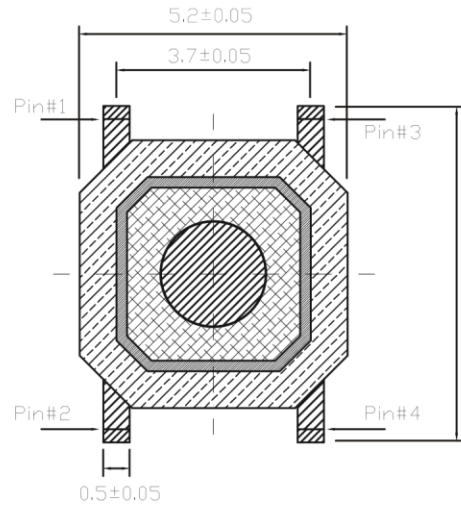
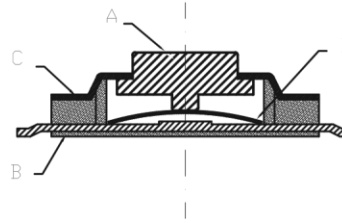
- ☐ RATING : DC 12V 50mA MAX.
- ☐ INSULATION RESISTANCE : 100MΩ MIN. 100V DC
- ☐ CONTACT RESISTANCE : 100mΩ MAX.
- ☐ WITHSTAND VOLTAGE : AC250V, 50Hz FOR 1 MINUTE
- ☐ DURABILITY : 100,000 CYCLES MIN.
- ☐ OPERATION TEMPERATURE : -25°C ~ +105°C
- ☐ STORAGE TEMPERATURE : -25°C ~ +70°C
- ☐ OPERATION FORCE : 2.55N.
- ☐ REFLOW PEAK TEMPERATURE : 260±5°C FOR 5 SECS MAX.

- * RoHS COMPLIANCE, PER EU DIRECTIVE 2002/95/EC.
- * HALOGEN FREE PRODUCT.

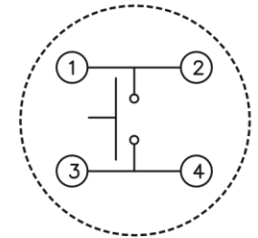
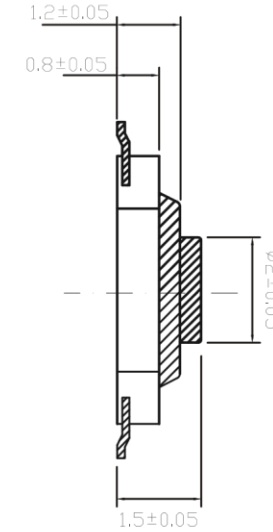
PRODUCT NUMBER INFORMATION

SWA06- 1 1SR004V7

CASE MATERIAL
1~THERMOPLASTIC-LCP, UL94V-0
(HALOGEN FREE)



RECOMMENDED CIRCUIT BOARD LAYOUT
(TOP VIEW)
TOLERANCE ±0.05mm



CIRCUIT DIAGRAM

RoHS Directive compliant 2002/95/EC LEAD FREE PRODUCT (Pb)	METRIC	Han Electronic		
	DRAWN A. TAKUYA	NOTICE OF PROPRIETARY PROPERTY THE INFORMATION CONTAINED HEREIN IS THE PROPRIETARY PROPERTY OF WIRDS ELECTRONICS INTERNATIONAL COMPANY LIMITED. COPYRIGHT 2008. ALL RIGHTS RESERVED. WIRDS THE LOGO IS TRADEMARK OF WIRDS ELECTRONICS INT'L CO., LTD.		
	APPROVER K. KITAGAWA	TITLE SQUARE LOW PROFILE TACTILE SWITCH 5.2mm WITH STEM (SMT)		
	DIMENSIONS ARE IN MILLIMETERS TOLERANCES	PRODUCT NO. SWA06-11SR004V7		
	X.X ±0.05 X.XX ±0.03 X.XXX ---- ANGULAR ±2°	SIZE A4	SHEET NO. 1 OF 1	SCALE N/A
	THIRD ANGLE PROJECTION			