

※NOTES※

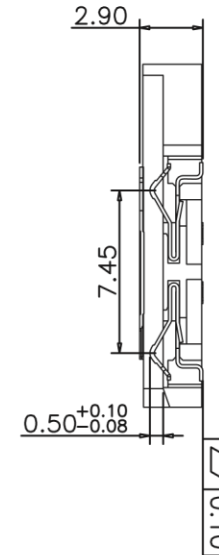
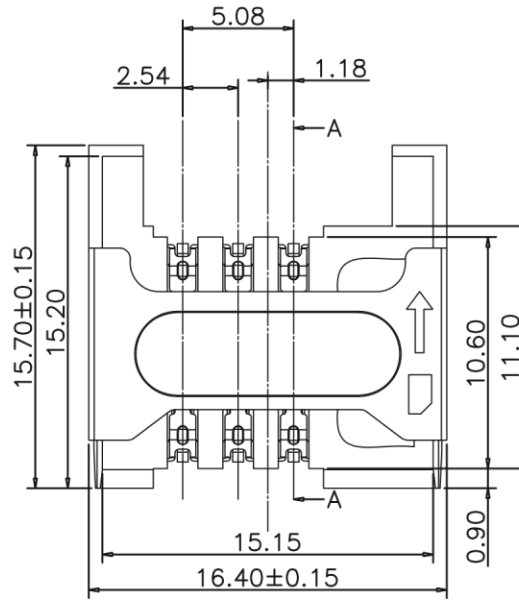
MECHANICAL

- ① HOUSING : THERMOPLASTIC-LCP, UL94V-0, BLACK
- ② CONTACT(S) : PHOSPHOR BRONZE, T=0.15mm
- ③ SHIELD : STAINLESS STEEL, T=0.15mm

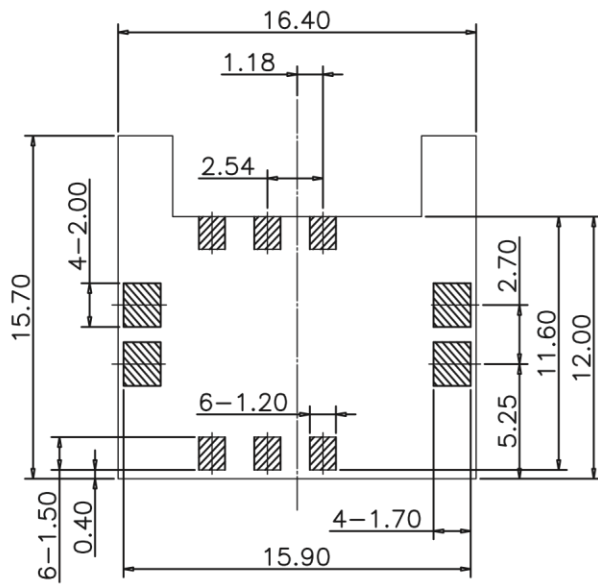
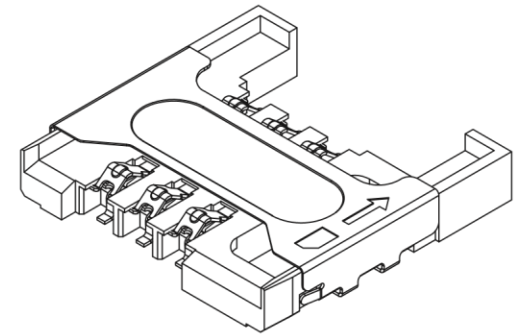
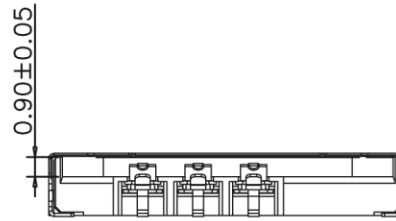
PRODUCT ORDER OPTION

ZCR01-11 * R006P3

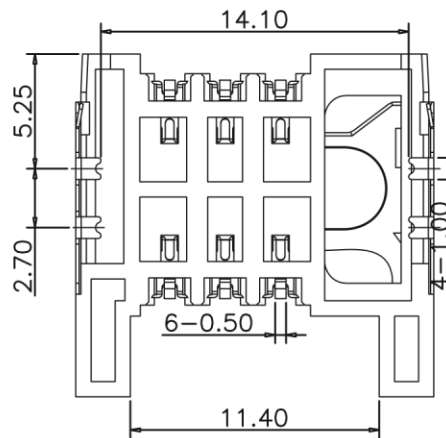
PLATING
 0~Au 0.2~1μ ON CONTACT AREA
 2~Au 3μ ON CONTACT AREA
 4~Au 15μ ON CONTACT AREA



SECTION A-A



RECOMMENDED PCB LAYOUT
 TOL:(±0.05)



QUALITY CONTROLING (INTERNATIONAL SYMBOL) THE SYMBOL IS *	METRIC		Han Electronic	
	DRAWER	WINDSON		
RoHS COMPLIANT	APPROVER	JACKY Z.	TITLE SIM CARD CONNECTOR 2.90mm HEIGHT	
HIF HIGHER FREE	DIMENSIONS ARE IN MILLIMETERS TOLERANCES			
LEAD FREE	X. ±0.45 X.X ±0.35 X.XX ±0.25 X.XXX ±0.10 ANGLES ±3°		PRODUCT NUMBER ZCR01-11×R006P3	
DO NOT SCALE DRAWINGS		THIRD ANGLE PROJECTION		
SIZE	A4	REV.	SCALE	NONE
			SHEET	1 OF 1