

※NOTES※

MECHANICAL

- ① HOUSING : THERMOPLASTIC-LCP, UL94V-0, BLACK
- ② SHIELD : COPPER ALLOY
- ③ CONTACT(S) : COPPER ALLOY

SPECIFICATION

- ① CURRENT RATING : 0.5 AMPHERE
- ② VOLTAGE RATING : 250V AC R.M.S.
- ③ CONTACT RESISTANCE : 40 MILLIOHMS MAX.
- ④ INSULATION RESISTANCE : 100 MEGOHMS MIN.
- ⑤ DIELECTRIC WITHSTANDING VOLTAGE : 500V AC R.M.S.
- ⑥ CARD INSERTION FORCE : 10N. MAX.
- ⑦ CARD EXTRACTION FORCE : 2N MIN.
- ⑧ THIS IS A HALOGEN FREE PRODUCT
- ⑨ THIS IS A RoHS COMPLIANTS PRODUCT

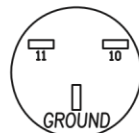
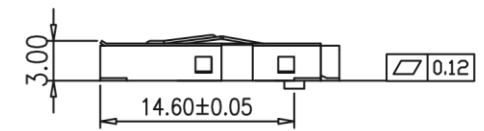
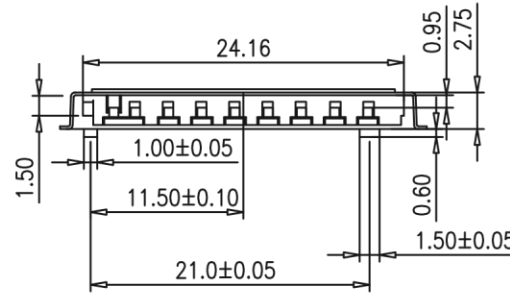
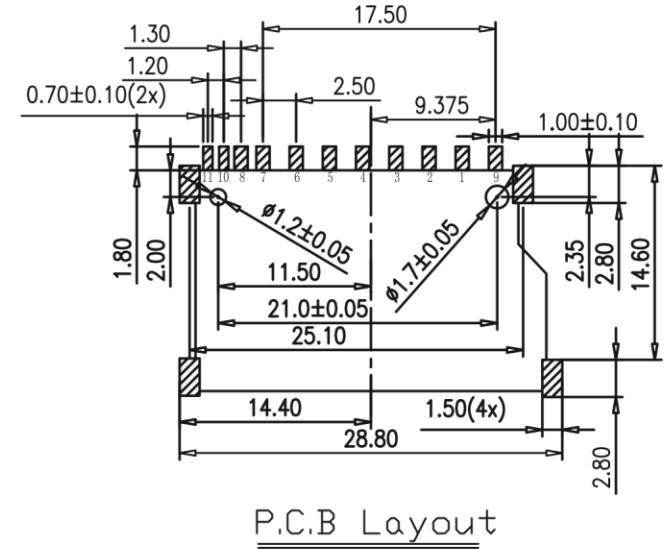
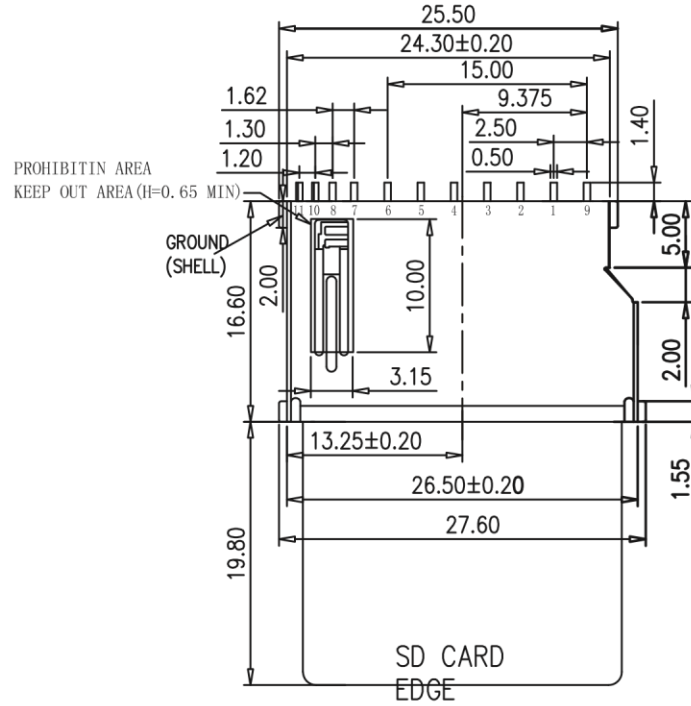
PRODUCT ORDER OPTION

ZCR07 - 11 * R011N3

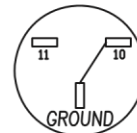
PLATING
 0~Au 0.2~1μ ON CONTACT AREA
 1~Au 3μ ON CONTACT AREA
 4~Au 15μ ON CONTACT AREA

PIN DEFINES :

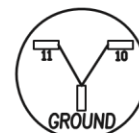
PIN#	CODE	DESCRIPTION
1	CD/DAT3	CARD DETECT/DATA I/O
2	CMD	COMMAND
3	VSS1	GROUND
4	VDD	POWER
5	CLK	CLOCK
6	VSS2	GROUND
7	DAT0	DATA I/O
8	DAT1	DATA I/O
9	DAT2	DATA I/O
10	CD	CARD DETECT PIN
11	WP	WRITE PROTECT PIN



WITHOUT CARD



CARD INSERTED
WRITE PROTCT-LOCK



CARD INSERTED
WRITE PROTECT-UNLOCK

METRIC		Han Electronic	
DRAWER	Y. TOMITA	TITLE	
APPROVER	P. TURNEAU		
DIMENSIONS ARE IN MILLIMETERS TOLERANCES		SD CARD 2 in 1 NON-PUSH SURFACE MOUNT TYPE	
X.	±0.38		
X.X	±0.25		
X.XX	±0.20		
X.XXX	±0.15		
ANGLES	±2°		
DO NOT SCALE DRAWINGS		PRODUCT NUMBER	
THIRD ANGLE PROJECTION		ZCR07-11×R011N3	
SIZE	REV.	SCALE	SHEET 1 OF 1
A4		NONE	