

NOTES : (UNLESS OTHERWISE SPECIFIED)

MATERIAL

- HOUSING : THERMOPLASTIC-LCP, UL94V-0, BLACK, HALOGEN FREE
- CONTACT : PHOSPHOR BRONZE C5191
- BOARD LOCK : BRASS C2680

SPECIFICATION

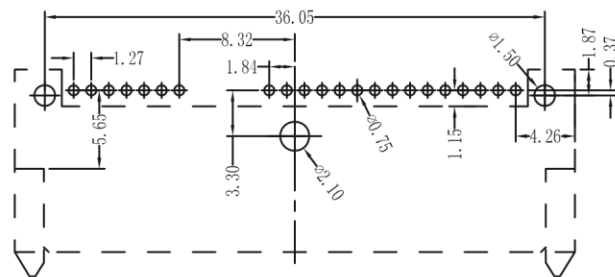
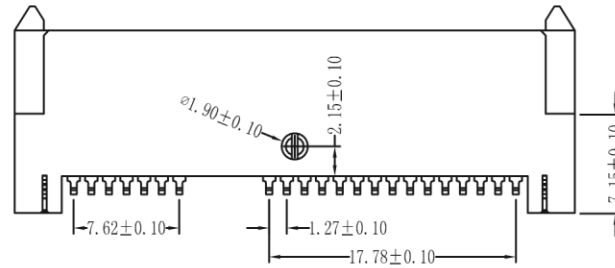
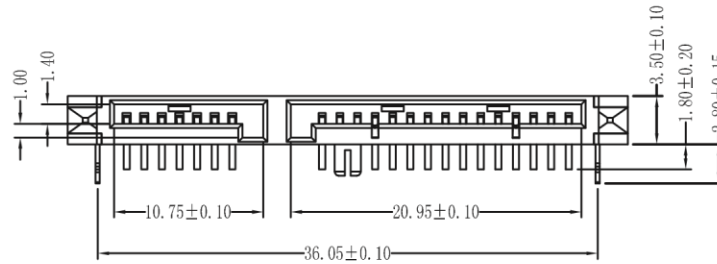
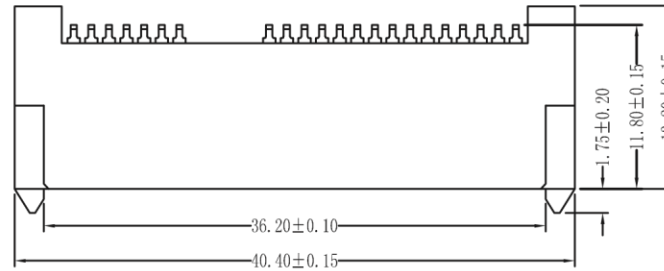
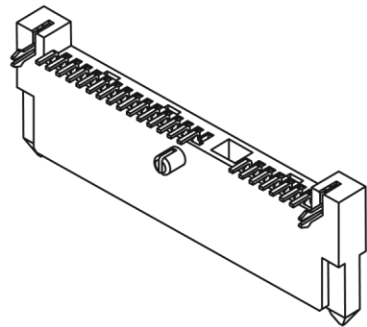
- VOLTAGE RATING : 12V AC RMS
- CURRENT RATING : 1.5AMP PER CONTACT
- CONTACT RESISTANCE : 30 MILLIOHMS MAX.
- INSULATION RESISTANCE : 1,000 MEGADHMS MIN.
- WITHSTAND VOLTAGE : 500V AC FOR 1 MINUTE
- MATING FORCE : 45N MAX.
- UNMATING FORCE : 10N MIN.
- DURABILITY : 500 CYCLE MIN.
- WAVE SOLDERING TEMPERATURE PEAK : 275°C FOR 5 SEC. MAX.

ORDER OPTION

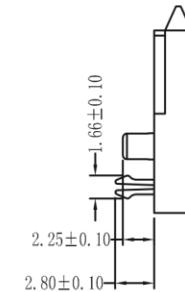
PDA01-11 x x 021J1

PACKING METHOD
 F~VACUUM TUBE
 R~EMBOSS AND REEL

PLATING
 0~Au 0.2~1μ ON CONTACT AREA
 1~Au 3μ ON CONTACT AREA
 4~Au 15μ ON CONTACT AREA
 6~Au 30μ ON CONTACT AREA



RECOMMENDED PCB LAYOUT



RoHS Directive compliant 2002/95/EC	DRAWER L. HEARST	METRIC	Han Electronic
	APPROVER P. TURNEAU		
	DIMENSIONS ARE IN MILLIMETERS TOLERANCES X. ±0.15 X.X ±0.10 X.XX ±0.05 ANGULAR ±2°	TITLE SATA 7+15 PINS R/A H=3.50mm THROUGH HOLE WITH BOARD LOCK	
	THIRD ANGLE PROJECTION	SIZE A4	
		SHEET NO. 1 OF 1	SCALE 1 : 1