

※NOTES※

MECHANICAL

- ① HOUSING : PBT+30%G.F., UL94V-0
- ② SHIELD : STEEL
- ③ CONTACT(S) : BRASS
- ④ RIVETED INSERT : BRASS WITH #4-40 EMBEDDED SCREW ASSEMBLED

SPECIFICATION

- ① RATING : 1 AMP, 300V DC
- ② CONTACT RESISTANCE : 20 MILLIOHMS MAX.
- ③ DIELECTRIC WITHSTANDING VOLTAGE : 500V DC MIN.
- ④ INSULATION RESISTANCE : 1000 MEGOHMS MIN.
- ⑤ OPERATION TEMPERATURE : -55°C ~ +85°C
- ⑥ STORAGE TEMPERATURE : -55°C ~ +105°C

ORDERING OPTION

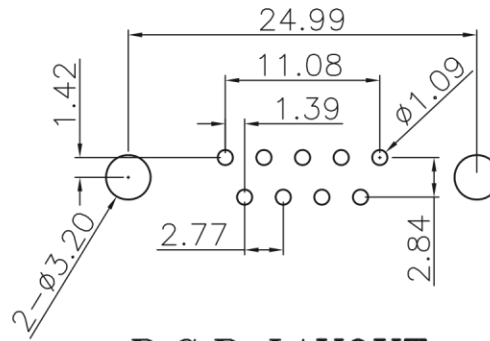
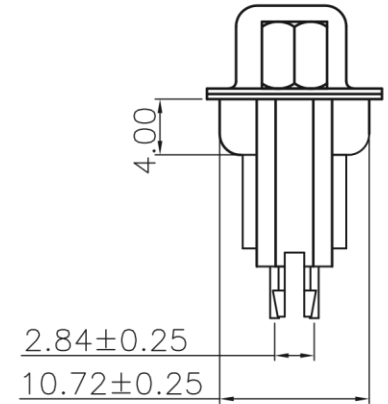
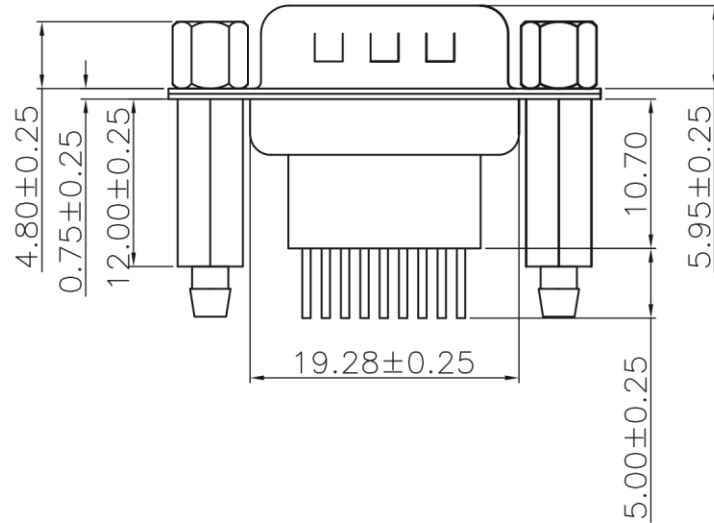
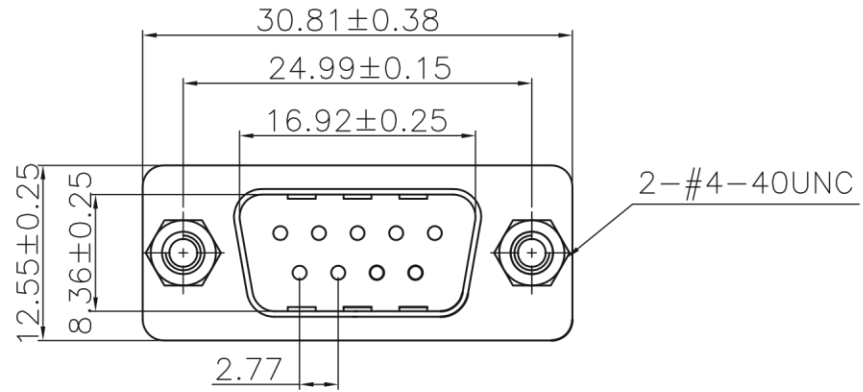
PVGA \* - 6 \* \* T0 \*\* G6

POSITION NO.  
09~9 PINS  
15~15 PINS  
25~25 PINS  
37~37 PINS

PLATING  
A~Au 0.2~1μ OVERALL  
B~Au 3μ OVERALL  
D~Au 10μ OVERALL  
-----

HOUSING COLOR  
1~BLACK  
2~BEIGE  
8~PURPLE  
A~BLUE  
-----

RANDOM CODE  
1~ASS'Y COPPER SCREW TYPE  
2~ATTACHED COPPER SCREW TYPE  
3~ASS'Y STEEL SCREW TYPE  
4~ATTACHED STEEL SCREW TYPE  
5~NO SCREW TYPE  
6~BOARD LOCK TYPE  
-----



**P.C.B LAYOUT**

QUALITY CONTROLING 品質管理 監査 THE SYMBOL AS 記号	<b>METRIC</b>		<b>Han Electronic</b>	
	DRAWER	Y. TOMITA		
RoHS COMPLIANT 環境対応 無鉛 H/F HAN ELECTRONIC	APPROVER	P. TURNEAU		
DIMENSIONS ARE IN MILLIMETERS TOLERANCES			TITLE	
	X.	±0.38	VGA D-SUB SERIES PIN PLUG, DUAL ROW VERTICLE, THT ON BOARD CONNECTOR	
	X.X	±0.35		
	X.XX	±0.25		
	X.XXX	±0.15		
	ANGLES	±3°		
DO NOT SCALE DRAWINGS			PRODUCT NUMBER	
THIRD ANGLE PROJECTION 			PVGA*-6**T0**G6	
SIZE	REV.	SCALE	SHEET 1 OF 1	
<b>A4</b>		NONE		