

※NOTES※

MECHANICAL

- ① HOUSING : PBT+30%G.F., UL94V-0
- ② SHELL : COLD ROLLER STEEL, NICKEL PLATED
- ③ CONTACT(S) : BRASS
- ④ RIVETED INSERT : BRASS WITH#4-40 SCREW ASSEMBLED

SPECIFICATION

- ① CURRENT RATING : 3 AMPERES
- ② CONTACT RESISTANCE : 25 MILLIOHMS MAX.
- ③ DIELECTRIC WITHSTANDING VOLTAGE : 1000V AC/1 MIN.
- ④ INSULATION RESISTANCE : 5000 MEGAOHMS MIN. @ DC500V
- ⑤ OPERATION TEMPERATURE : -55°C ~ +85°C

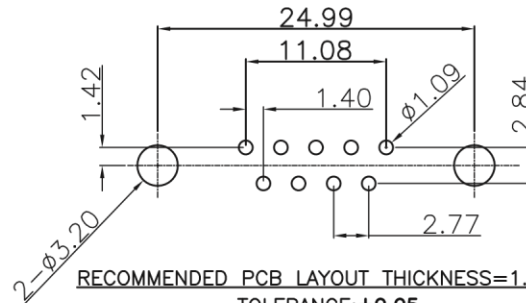
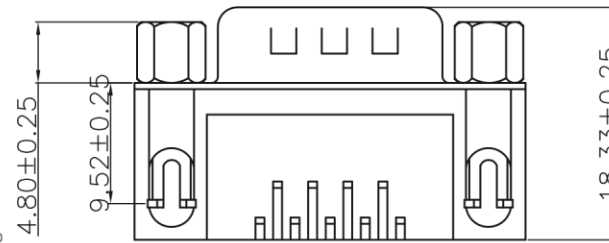
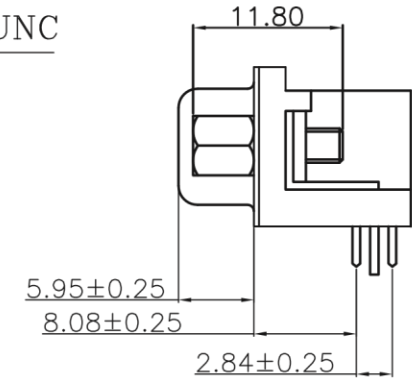
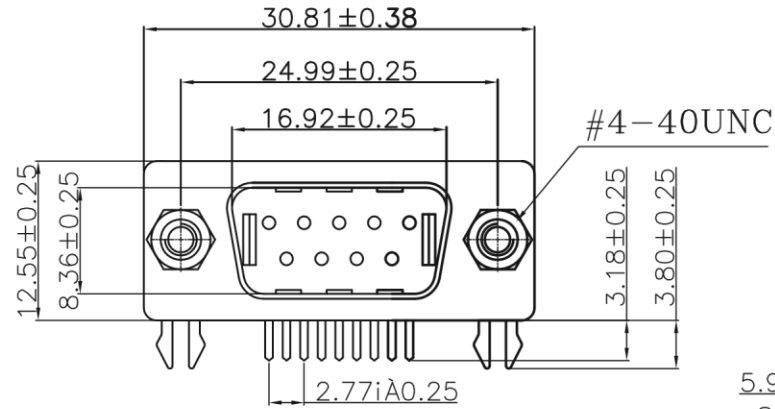
PRODUCT ORDER OPTION

PVGJ * - 6 * * T009G1

PLATING
 A~Au 0.2~1μ OVERALL
 B~Au 3μ OVERALL
 D~Au 10μ OVERALL

HOUSING COLOR
 1~BLACK
 2~BEIGE
 8~PURPLE
 A~BLUE

RANDOM CODE
 1~COPPER ASS'Y SCREW TYPE (4.8×11.8)
 2~COPPER ATTACHED SCREW TYPE (4.8×11.8)
 3~STEEL ASS'Y SCREW TYPE (4.8×11.8)
 4~STEEL ATTACHED SCREW TYPE (4.8×11.8)
 5~NO SCREW TYPE
 6~BOARD LOCK TYPE



QUALITY CONTROLING DEPARTMENT SHALL PRINTED THE SYMBOL AS ★	METRIC		Han Electronic
	DRAWER	LJ, YANG	
	APPROVER	P. TURNEAU	
RoHS COMPLIANT	DIMENSIONS ARE IN MILLIMETERS TOLERANCES		TITLE VGA D-SUB 09 PIN PLUG, DUAL ROW R/A, THT ON BOARD CONNECTOR
	X.	----	
	X.X	±0.35	
	X.XX	±0.25	
	X.XXX	±0.15	
	ANGLES	±1°	
	DO NOT SCALE DRAWINGS		PRODUCT NUMBER PVGJ*-6**T009G1
	THIRD ANGLE PROJECTION		
SIZE A4	REV.	SCALE NONE	SHEET 1 OF 1