

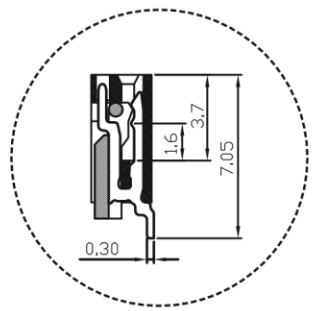
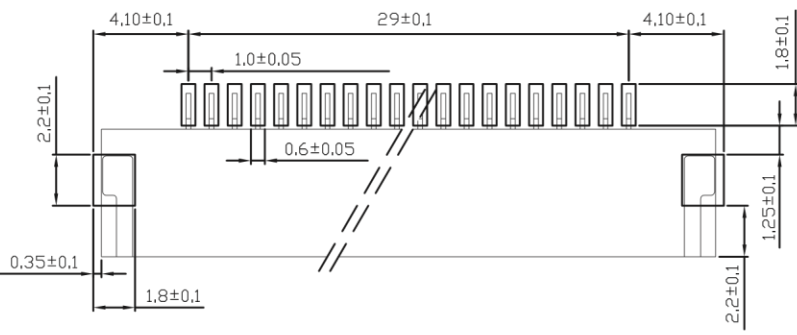
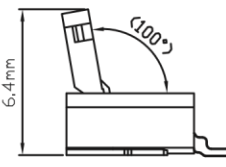
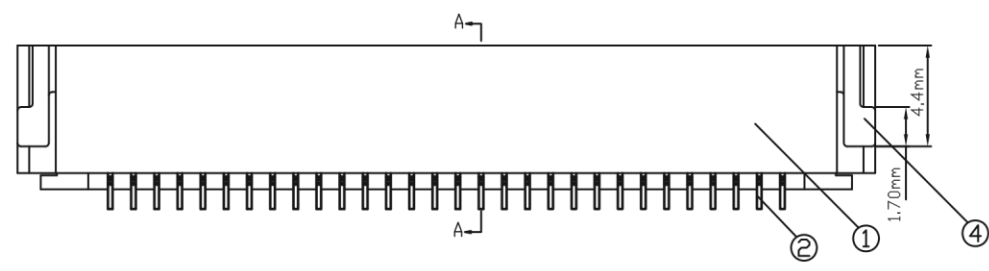
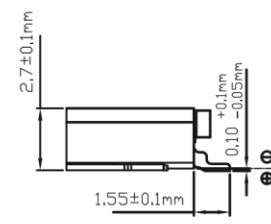
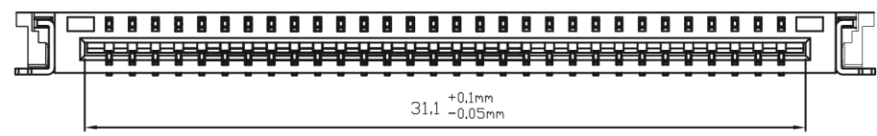
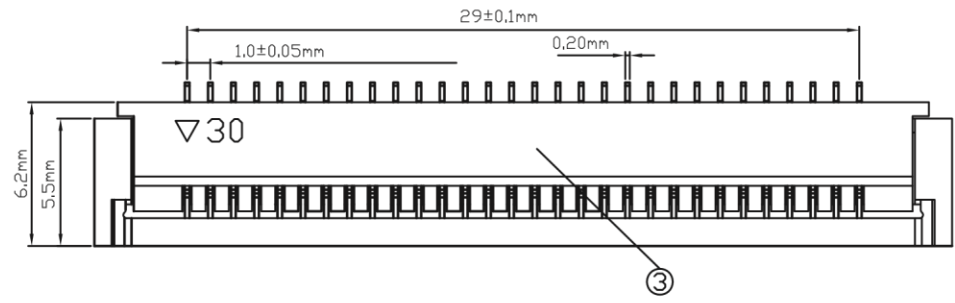
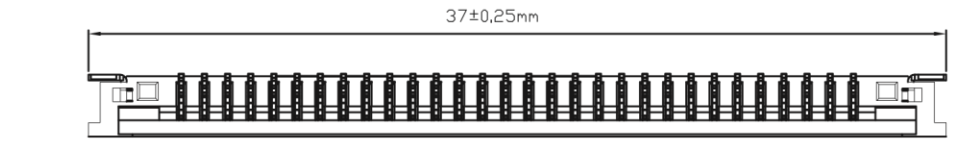
※NOTES※

MECHANICAL

- ① HOUSING : LCP, UL94V-0, BEIGE
- ② CONTACT : PHOSPHOR BRONZE
- ③ ACTUATOR : PA9T
- ④ SOLDER PAD : PHOSPHOR BRONZE

SPECIFICATION

- ① VOLTAGE RATING : 50V AC/DC
- ② CONTACT RESISTANCE : 0.03Ω MAX.
- ③ INSULATION RESISTANCE : 500MΩ MIN.
- ④ WITHSTANDING VOLTAGE : 500V AC PER MINUTE
- ⑤ TEMPERATURE RANGE : -25°C ~ +85°C
- ⑥ WAVE SOLDERING PEAK TEMP. : 270±5°C FOR 5 SEC.



RECOMMENDED P.C.B. LAYOUT

SECTION A-A

<small>QUALITY CONTROLING DEPARTMENT WILL PRINTED THE SYMBOL AS *</small>  <small>RoHS COMPLIANT</small>  <small>HIP MANUFACTURE</small>  <small>LEAD FREE</small>	<b>METRIC</b>		<b>Han Electronic</b>	
	DRAWER Y. TOMITA			
	APPROVER P. TURNEAU		TITLE PITCH 1.0mm, 30 PINS FPC/FFC CONNECTOR LATCH LEFT UP TYPE	
DIMENSIONS ARE IN MILLIMETERS TOLERANCES		PRODUCT NUMBER RFC01-12JR030G3		
<10 ±0.20 10-30 ±0.25 >30 ±0.3 ANGLES ±3°		DO NOT SCALE DRAWINGS		
 THIRD ANGLE PROJECTION		SIZE <b>A4</b>	SCALE NONE	SHEET 1 OF 1