

※NOTES※

MECHANICAL

- ① HOUSING : THERMOPLASTIC, UL94V-0
- ② TERMINAL : PHOSPHOR BRONZE

SPECIFICATION

- ① CURRENT RATING : 1 AMP
- ② CONTACT RESISTANCE : 20mΩ MAX.
- ③ INSULATOR RESISTANCE : 1,000MΩ MIN.
- ④ WITHSTAND VOLTAGE : 500V AC/DC
- ⑤ OPERATION TEMPERATURE : -40°C ~ +105°C
- ⑥ PROCESSING PEAK-TEMPERATURE :
PBT - 230°C FOR 5 SECONDS
PA6T - 260°C FOR 5 SECONDS

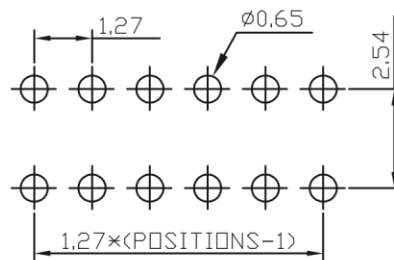
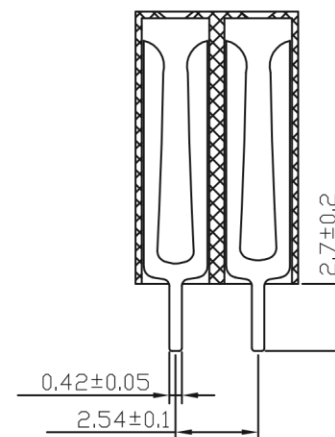
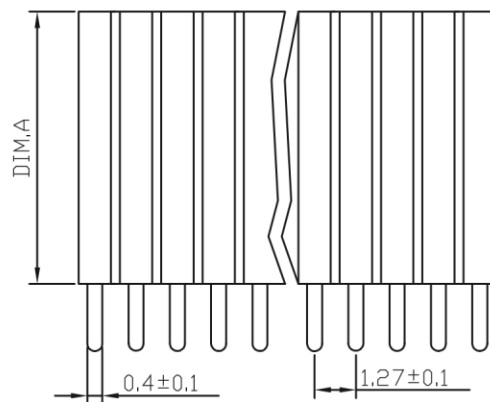
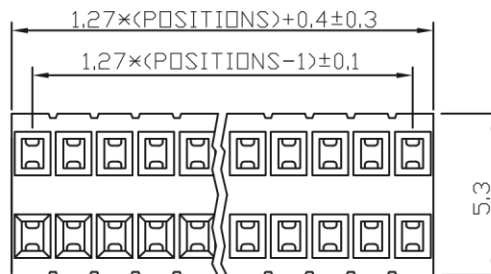
PRODUCT ORDER OPTION

- RHDB * - * * * * 2X ** J6
- POSITION NO. (02~40 MAX.)
 - PACKING METHOD
P~MOISTURE P.E. BAG
T~TUBE

 - PLATING
0~Au 0.2~1μ ON CONTACT AREA
1~Au 3μ ON CONTACT AREA
4~Au 15μ ON CONTACT AREA

 - HOUSING COLOR
1~BLACK
2~WHITE

 - HOUSING MATERIAL
3~NYLON 6T, UL94V-0
6~HIGH-TEMPERATURE PBT, UL94V-0
 - DIMENSION CODE (SYS. GEN.)
1~DIM,A=2.2mm
3~DIM,A=3.4mm
5~DIM,A=4.3mm
7~DIM,A=4.6mm
0~DIM,A=8.5mm



RECOMMENDED P.C.B. LAYOUT

QUALITY CONTROLING 品質管理 THE SYMBOL AS *	METRIC		Han Electronic	
	DRAWER	Y. TOMITA		
RoHS COMPLIANT	APPROVER	P. TURNEAU	DIMENSIONS ARE IN MILLIMETERS TOLERANCES X. ±0.30 X.X ±0.15 X.XX ±0.05 X.XXX ---- ANGLES ±5°	
HIF HIGHER INSULATION	DO NOT SCALE DRAWINGS			
THIRD ANGLE PROJECTION			TITLE PITCH 1.27mm 2×N PINS, RECEPTACLE THT, HEADER CONNECTOR	
SIZE A4	REV.	PRODUCT NUMBER RHDB*-***2X**J6	SCALE NONE	SHEET 1 OF 1