

※NOTES※

MECHANICAL

- ① HOUSING : THERMOPLASTIC-LCP, UL94V-0
- ② COVER : THERMOPLASTIC-LCP, UL94V-0
- ③ SHIELD : BRASS
- ④ CONTACT(S) : BRASS

SPECIFICATION

- ① CURRENT RATING : 0.5 AMPERE
- ② CONTACT RESISTANCE : 20 MILLIOHMS MAX.
- ③ INSULATION RESISTANCE : 100 MEGAOHMS MIN.
- ④ DIELECTRIC WITHSTANDING VOLTAGE : 500V AC/MINUTE
- ⑤ MATING FORCE : 4.5KgF MAX.
- ⑥ UNMATING FORCE : 1.0KgF MIN.
- ⑦ OPERATION TEMPERATURE : -55°C ~ +105°C
- ⑧ WAVE SOLDERING PEAK TEMPERATURE : 265±5°C FOR 5 SEC(S)
- ⑨ THIS IS A RoHS COMPLIANTS AND REACH PRODUCT.

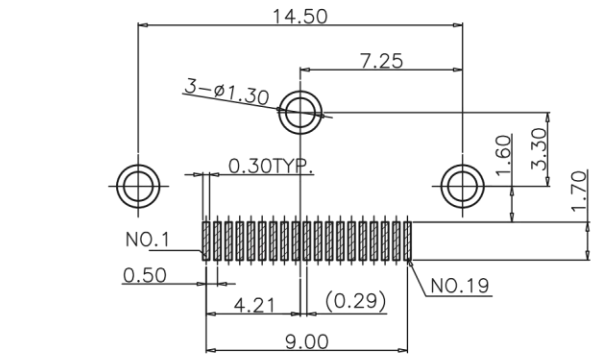
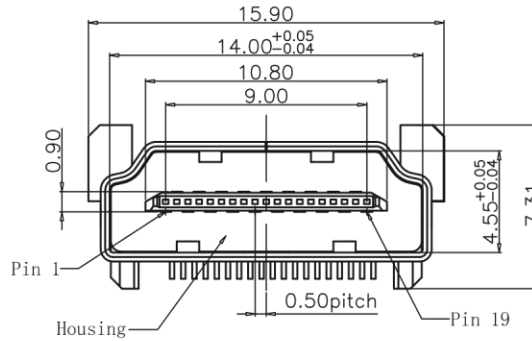
PRODUCT ORDER OPTION

RHM02 - 1 \* \* \* 019C7

PACKING METHOD  
T~PLASTIC TRAY  
F~VACUUM TUBE  
-----

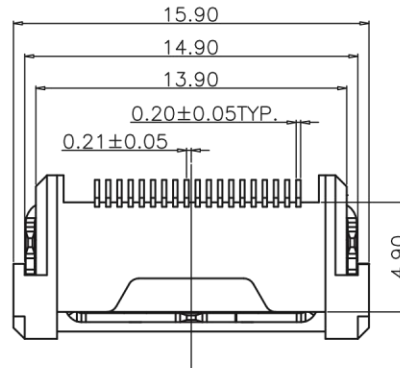
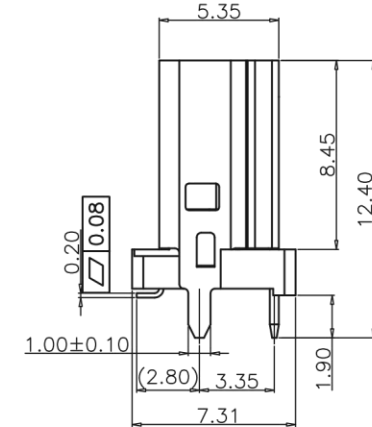
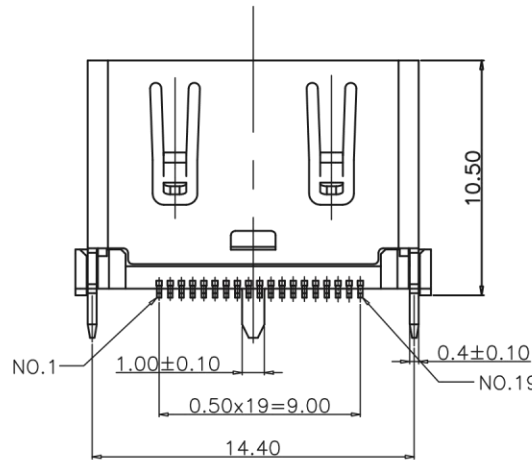
PLATING  
0~Au 0.2~1μ ON CONTACT AREA  
1~Au 3μ ON CONTACT AREA  
4~Au 15μ ON CONTACT AREA

HOUSING COLOR  
1~BLACK  
2~BEIGE(WHITE)



RECOMMENDED PCB LAYOUT THICKNESS = 1.6 mm

TOLERANCE:±0.05



QUALITY CONTROLING 品質管理 THE SYMBOL AS ★	<b>METRIC</b>		<b>Han Electronic</b>			
	DRAWER	J. TOMOTAKE				
	APPROVER	J.J. PARK				
RoHS COMPLIANT HfP LEAD FREE	DIMENSIONS ARE IN MILLIMETERS TOLERANCES		TITLE  H.D.M.I. CONNECTOR VERTICLE, RECEPTACLE SURFACE MOUNT TYPE			
	X.	----				
	X.X	±0.30				
	X.XX	±0.20				
	X.XXX	±0.10				
	ANGLES	±2°				
	DO NOT SCALE DRAWINGS					
	THIRD ANGLE PROJECTION					
SIZE	A4	REV.	SCALE	NONE		
			SHEET	1 OF 1		