

NOTES : (UNLESS OTHERWISE SPECIFIED)

MATERIAL

- HOUSING : HIGH-TEMPERATURE OR THERMOPLASTIC, UL94V-0
- CONTACT : PHOSPHOR BRONZE, T=0.35mm
- SHIELD WITH EMI : PHOSPHOR BRONZE, T=0.20mm

REMARK

- SUITABLE FOR CAT 5 & 6 FAST ETHERNET CABLE OR BETTER UTP.
- RoHS PEAK WAVE SOLDER TEMPERATURE RATING :
THERMOPLASTIC-PA66 ~ 260±5°C FOR 5 SECONDS
HIGH-TEMPERATURE PBT ~ 250±5°C FOR 5 SECONDS

ORDER OPTION

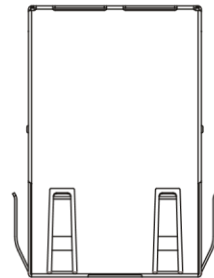
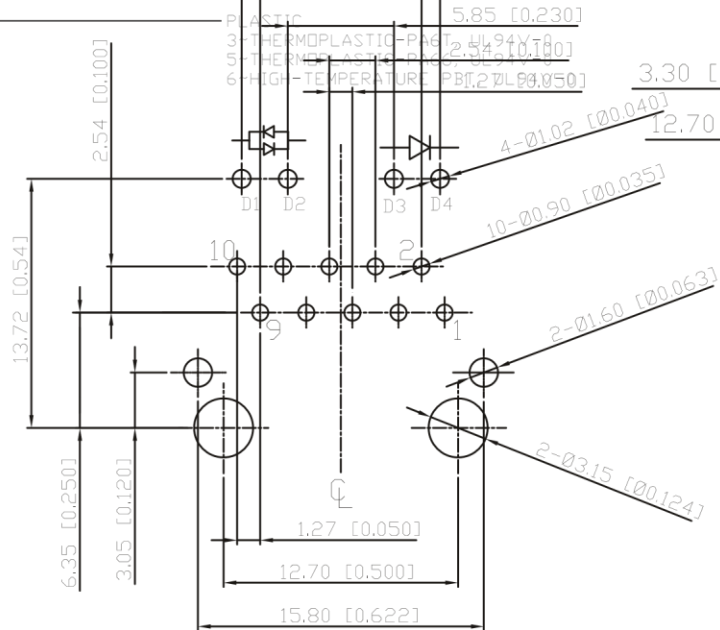
RMG02 - * 1 * T010PU-F11S * * S

RIGHT LED
3-WHITE 4-GREEN 6-ORANGE
7-RED A-BLUE 0-YELLOW
N-NO LED, CLOSE

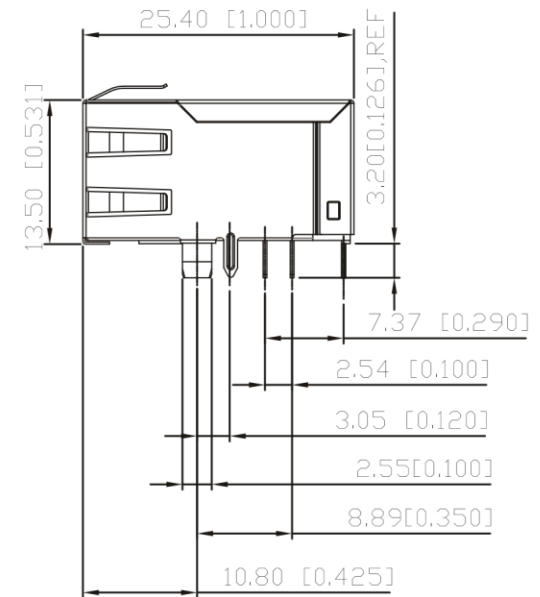
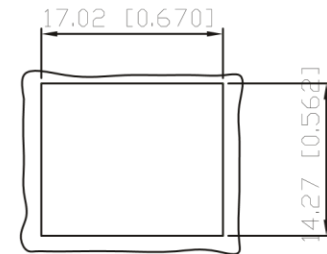
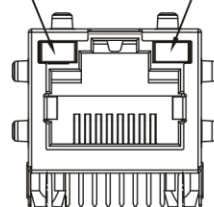
LEFT LED
(SAME AS ABOVE)

PLATING
0-Au 0.2-1µ ON CONTACT AREA
1-Au 3µ ON CONTACT AREA
4-Au 10.93µ ON CONTACT AREA
6-Au 30µ ON CONTACT AREA
8-Au 8.89µ ON CONTACT AREA

PLASTIC
3-THERMOPLASTIC-PA66 UL94V-0
5-THERMOPLASTIC-PA66 UL94V-0
6-HIGH-TEMPERATURE PBT

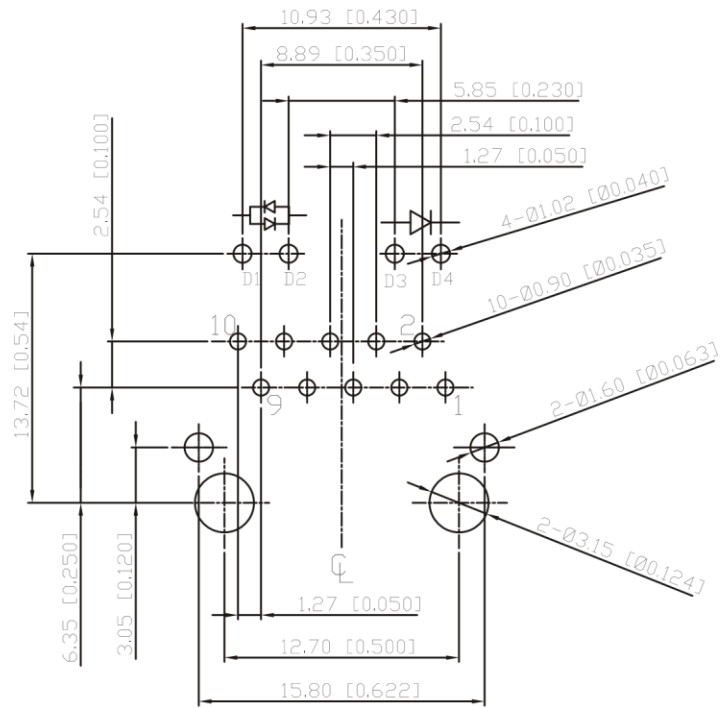


LED 2 YELLOW LED 1 GREEN



| LEAD FREE PRODUCT | | METRIC | |
|-------------------------------------|---|--|--------|
| DRAWER | JJ, PARK | Han Electronic | |
| | APPROVER | | |
| RoHS Directive compliant 2002/95/EC | DIMENSIONS ARE IN MILLIMETERS TOLERANCES | TITLE | |
| | X.X ±0.38 X.XX ±0.25 X.XXX ±0.10 ANGULAR ±3° | MODULAR JACK 10P10C 1,000 BASE-T, W/LED W/SHIELD, TAB-UP, THROUGH HOLE TYPE | |
| PRODUCT NO. | | RMG01-*1*T010PU-F11S**S | |
| THIRD ANGLE PROJECTION | | SIZE | A4 |
| | | SHEET NO. | 1 OF 2 |
| | | SCALE | N/A |

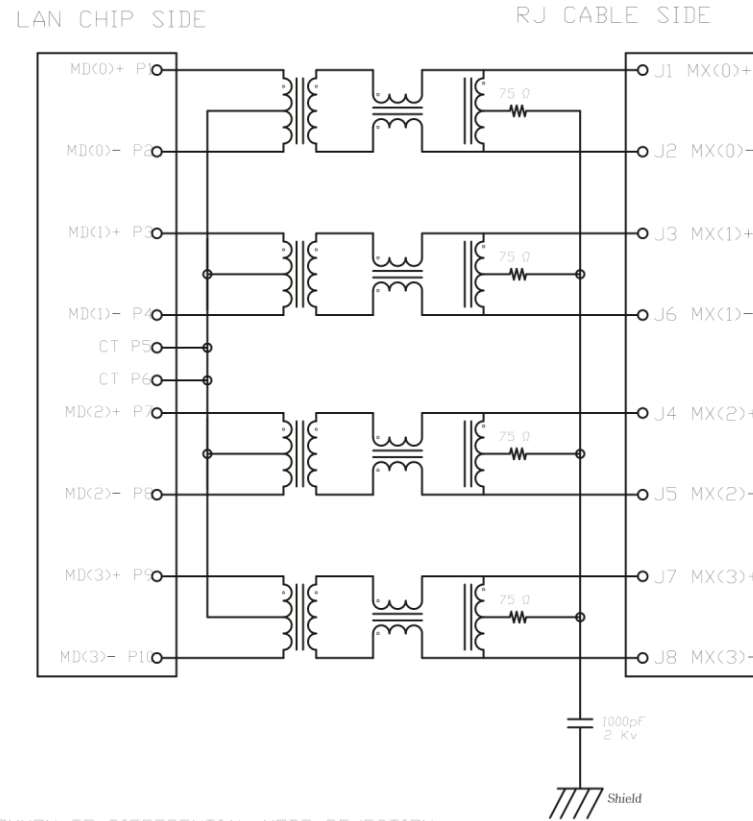
RECOMMENDED PCB LAYOUT



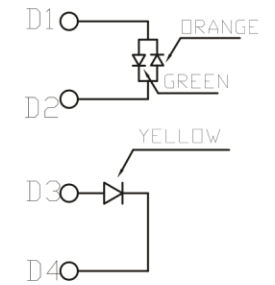
ELECTRICAL CHARACTERISTICS

- TR: (100KHz, 0.1V);
PINS: (P1,P2):(J1,J2)=1:1±3%; (P3,P4):(J3,J6)=1:1±3%;
PINS: (P7,P8):(J4,J5)=1:1±3%; (P9,P10):(J7,J8)=1:1±3%
- LX: (100KHz, 100mV, 8mA, DC Bias)
PINS: (P1,P2),(P3,P4),(P7,P8),(P9,P10)=350µH MINIMUM
- DCR:
PINS: (J1,J2),(J3,J6),(J4,J5),(J7,J8)=1.2Ω MAXIMUM
- HIPOT:
PINS(P1,P2) TO (J1,J2), (P3,P4) TO (J3,J6)=1500V AC FOR 60 SECONDS
PINS(P7,P8) TO (J4,J5), (P9,P10) TO (J7,J8)=1500V AC FOR 60 SECONDS
- INSERTION LOSS:
-0.8dB MAXIMUM AT 0.3MHz TO 100MHz
-1.2dB MAXIMUM AT 100MHz TO 120MHz
- RETURN LOSS:
-18dB MINIMUM AT 0.5MHz TO 40MHz
-12+20Log(f/100MHz)dB MINIMUM AT 40MHz TO 100MHz
- CROSS TALK
-33+20Log(f/100MHz)dB MINIMUM AT 0.1MHz TO 100MHz

SCHEMATIC



LED CONFIGURATION



- COMMON TO DIFFERENTIAL MODE REJECTION
-35dB MINIMUM AT 300KHz TO 100MHz
- COMMON TO COMMON MODE REJECTION
-30dB MINIMUM AT 300KHz TO 100MHz

| LEAD FREE PRODUCT | | METRIC | Han Electronic |
|-------------------------------------|--|-------------|----------------|
| Pb | DRAWN | JJ, PARK | |
| | APPROVER | P. TURNEAU | |
| RoHS Directive compliant 2002/95/EC | DIMENSIONS ARE IN MILLIMETERS TOLERANCES | | TITLE |
| | X.X ±0.38 | X.XX ±0.25 | X.XXX ±0.10 |
| ANGULAR ±3° | | PRODUCT NO. | SCALE |
| THIRD ANGLE PROJECTION | | SIZE | N/A |
| | | A4 | SHEET NO. |
| | | 2 OF 2 | |