

※NOTES※

MECHANICAL

- ① HOUSING : HIGH-TEMPERATURE NYLON, UL94V-0
- ② TERMINAL : PHOSPHOR BRONZE WITH GOLD PLATING
- ③ SHIELD : COPPER ALLOY WITH TIN PLATING

SPECIFICATION

- ① RETENTION FORCE : 7.7Kg BETWEEN JACK AND PLUG
- ② DURABILILTY : 750 MATING CYCLES MIN.
- ③ INSERTION FORCE :
  - 2 CONTACTS - 350g      4 CONTACTS - 500g
  - 6 CONTACTS - 750g      8 CONTACTS - 900g
  - 10 CONTACTS - 1050g
- ④ PEAK WAVE SOLDERING TEMPERATURE : 235°C

REMARK

REGISTERED JACK 45 INTERNAL BUILT-IN MAGNETIC CONNECTOR  
 DESIGNED TO SUPPORT APPLICATIONS SUCH AS ETHERNET EQUIPMENTS,  
 COMPLEX, SWITCHES, ROUTERS, FIREWALLS, SERVERS, AND HUB.

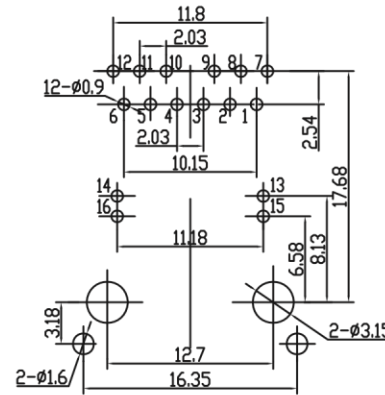
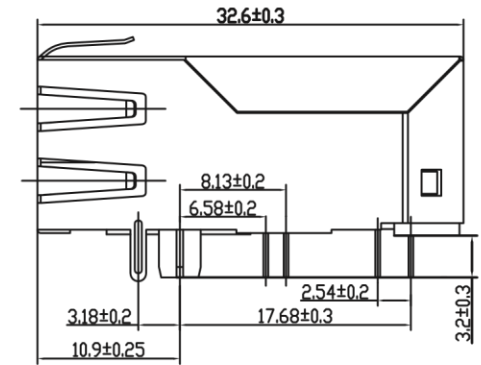
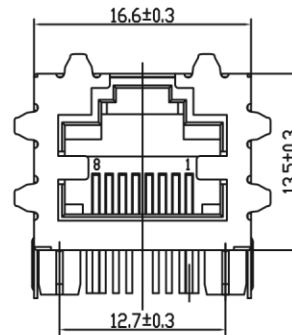
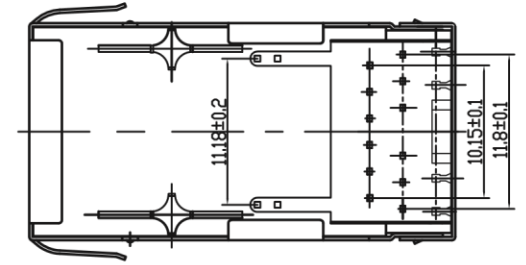
INTERNAL MAGNETICS ARE 100% ELECTRICALLY TESTED FOR FUNCTIONALITY  
 PER IEEE 802.3 REQUIREMENT. HIGH PERFORMANCE FOR MAXIMUM EMI SUPPRESSION  
 350μH MINIMUM OCL, WITH 8mA BIAS CURRENT.

PoE RATING : 15W, 350mA, 48V. (FOR PoE PRODUCTS ONLY)

PRODUCT ORDER OPTION

RMG06 - 51 \* T012PU - F11SNNS

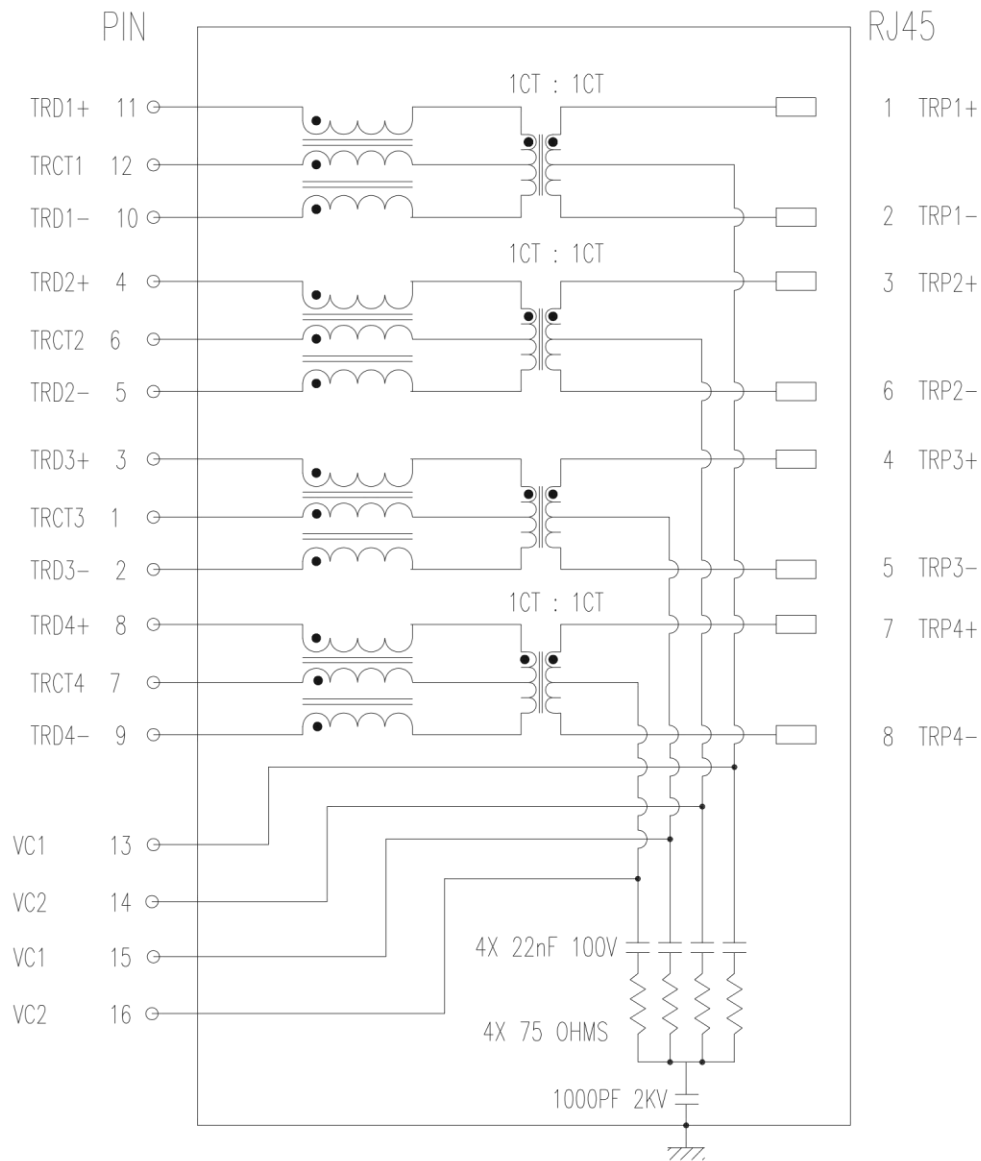
PLATING  
 2~Au 3μ ON CONTACT AREA  
 4~Au 15μ ON CONTACT AREA  
 8~Au 50μ ON CONTACT AREA



PCB BOARD LAYOUT

QUALITY CONTROLING DEPARTMENT SHALL PRINTED THE SYMBOL AS ★	<b>METRIC</b>		<b>Han Electronic</b>
	DRAWER	Y. TOMITA	
RoHS COMPLIANT	DIMENSIONS ARE IN MILLIMETERS TOLERANCES		TITLE  RJ45 1x1, R/A, T/H TYPE PITCH 1.27mm, 1000 BASE-T
	APPROVER	P. TURNEAU	
HIF HAN ELECTRONIC	X. ----- X.X ±0.38 X.XX ±0.25 X.XXX ±0.10 ANGLES ±3°		PRODUCT NUMBER RMG06-51*T012PU-F11SNNS
	DO NOT SCALE DRAWINGS		
LEAD FREE	THIRD ANGLE PROJECTION		SCALE 1 : 1
	SIZE	REV.	
A4			

SCHEMATIC



QUALITY CONTROLING RESPONSIBILITY SYMBOL THE SYMBOL AS	<b>METRIC</b>		<b>Han Electronic</b>	
	DRAWER	Y. TOMITA		
<input checked="" type="checkbox"/> RoHS COMPLIANT <input type="checkbox"/> RoHS EXEMPT <input checked="" type="checkbox"/> HfP COMPLIANT <input type="checkbox"/> HfP EXEMPT <input checked="" type="checkbox"/> LF0 FREE <input type="checkbox"/> LF0 EXEMPT	APPROVER	P. TURNEAU		TITLE RJ45 1x1, R/A, T/H TYPE PITCH 1.27mm, 1000 BASE-T
DIMENSIONS ARE IN MILLIMETERS TOLERANCES		X. ----- X.X ±0.38 X.XX ±0.25 X.XXX ±0.10 ANGLES ±3°		
DO NOT SCALE DRAWINGS				PRODUCT NUMBER
		THIRD ANGLE PROJECTION		RMG06-51×T012PU-F11SNNS
SIZE	REV.	SCALE	SHEET 2 OF 2	
A4		1 : 1		