

NOTES : (UNLESS OTHERWISE SPECIFIED)

Material

- Housing : High-temperature Thermoplastic, UL94V-0
- Contact : Phosphor Bronze, T=0.35mm
- Shield : Brass, T=0.20mm

Specification

- Registered Jack 45 Connector with internal magnetics are 100% tested for its' functionality on IEEE 802.3 requirements.
- RoHS peak wave solder temperature:
LCP UL94V-0 rating 275°C for 5 seconds
PA66 UL94V-0 rating 260°C for 5 seconds
PBT UL94V-0 rating 250°C for 3 seconds.
- Insertion Force : 2 Contacts-350g 4 Contacts-500g
6 Contacts-750g 8 Contacts-900g
10 Contacts-1050g
- Retention Strength : 7.7Kgs Between Jack and Plug.
Durability : 750 cycles minimum.
Operating Temperature : 0 ~ +70°C
Storage Temperature : -40 ~ +85°C
Pin not electrically connected maybe omitted see electrical drawing for omitted pins.

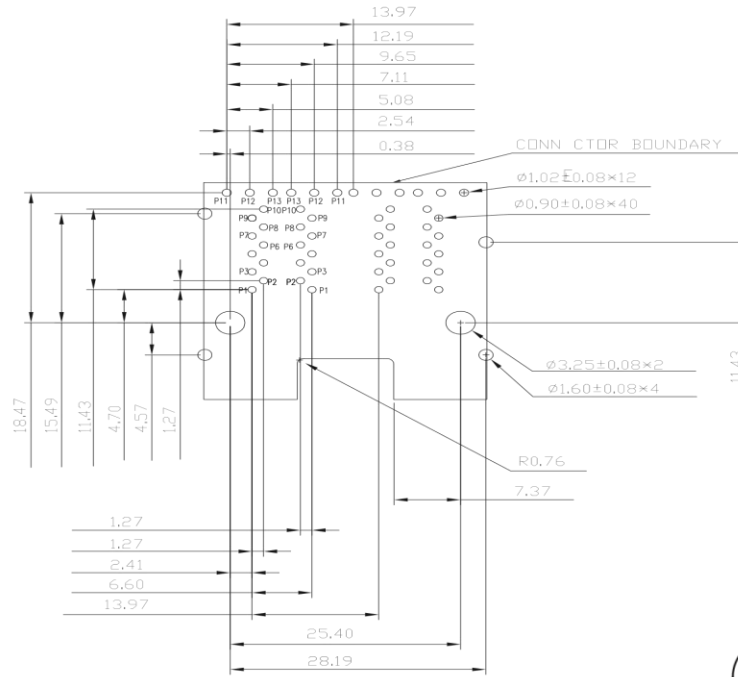
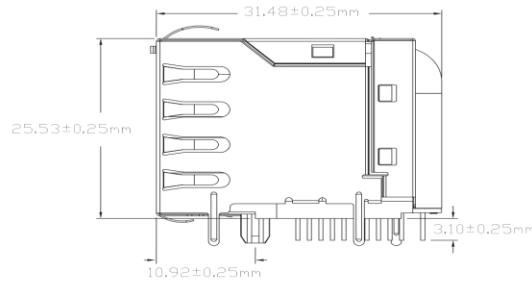
ORDER OPTION

RMG22 - 51 x T040PV - F22S40S

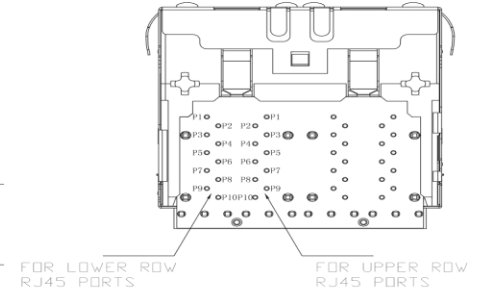
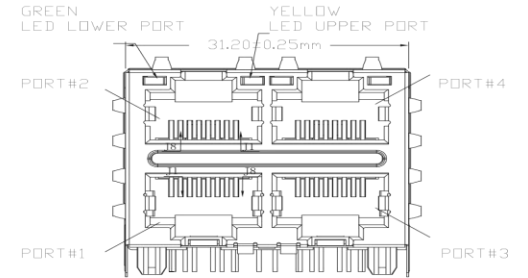
PLATING
 0-Au 0.2~1μ ON CONTACT AREA
 2-Au 6μ ON CONTACT AREA
 4-Au 15μ ON CONTACT AREA
 6-Au 30μ ON CONTACT AREA
 8-Au 50μ ON CONTACT AREA

LED SPECIFICATION

STANDARD LED	WAVE LENGTH	FWD. CURRENT	FWD. VOLT.(MAX)	TYP.
GREEN	565nm	20mA	2.4V	2.2V
YELLOW	590nm	20mA	2.5V	2.1V



PLUG-IN SIDE
 RECOMMENDED CIRCUIT BOARD LAYOUT
 (COMPONENT SIDE VIEW)
 TOLERANCE ±0.10mm



LEAD FREE PRODUCT		METRIC		Han Electronic
RoHS Directive compliant: 2002/95/EC	DRAWN	Y. TOMITA		
	APPROVER	P. CANNING		
DIMENSIONS ARE IN MILLIMETERS TOLERANCES		TITLE MODULAR JACK 2×2 PORTS ICM 1,000 BASE-T FILTER THROUGH HOLE		
. ±0.50 .x ±0.38 .xx ±0.25 .xxx ±0.10 ANGULAR ±3°		PRODUCT Nbr. RMG22-51xT040PV-F22S40S		
THIRD ANGLE PROJECTION		SIZE A4	SHEET Nbr. OF 3	SCALE N/A

4

3

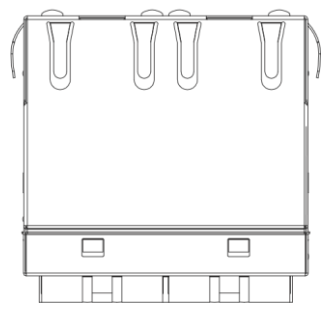
2

1

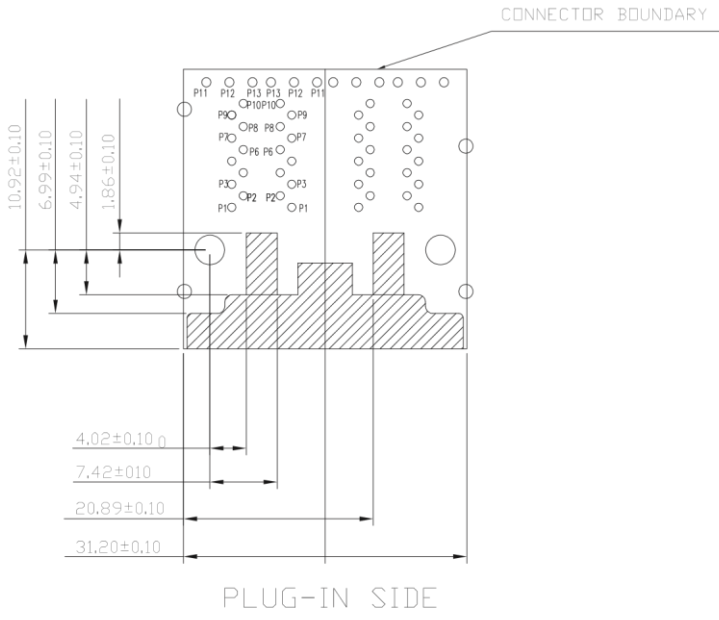
LABEL

KEEP OUT AREA (COMPONENT SIDE VIEW)

PLUG-IN SIDE



SUGGESTED PANEL OPENNING



PLUG-IN SIDE

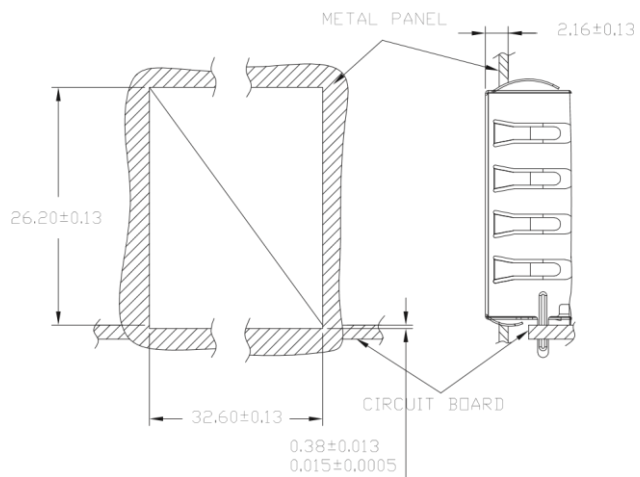
LEAD FREE PRODUCT	METRIC	Han Electronic
	DRAWN Y. TOMITA	
RoHS compliant 2002/95/EC	APPROVER P. CANNING	TITLE MODULAR JACK 2×2 PORTS ICM 1,000 BASE-T FILTER THROUGH HOLE
	DIMENSIONS ARE IN MILLIMETERS TOLERANCES . ±0.50 .x ±0.38 .xx ±0.25 .xxx ±0.10 ANGULAR ±3°	
THIRD ANGLE PROJECTION	SIZE A4	PRODUCT Nbr. RMG22-51×T040PV-F22S40S
	SHEET Nbr. OF 3	SCALE N/A

4

3

2

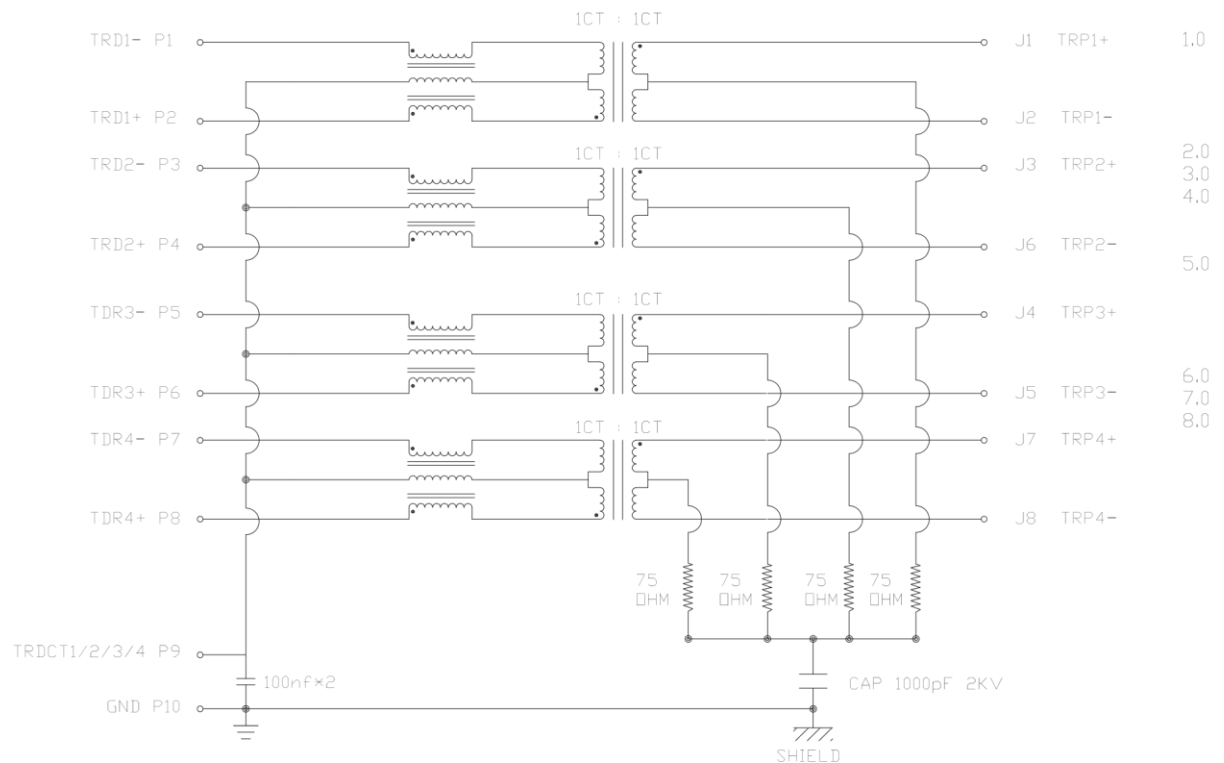
1



CIRCUIT SCHEMATIC

ELECTRICAL CHARACTERISTICS

 RoHS Directive compliant 2002/95/EC	 METRIC	Han Electronic
	DRAWN Y. TOMITA APPROVER P. CANNING	
DIMENSIONS ARE IN MILLIMETERS TOLERANCES . ±0.50 .x ±0.38 .xx ±0.25 .xxx ±0.10 ANGULAR ±3°	TITLE MODULAR JACK 2×2 PORTS ICM 1,000 BASE-T FILTER THROUGH HOLE	
	 THIRD ANGLE PROJECTION	SIZE A4



Turn Ratio @100KHz
 (P2~P1) : (J1~J2) = 1:1±5%
 (P4~P3) : (J3~J6) = 1:1±5%
 (P6~P5) : (J4~J5) = 1:1±5%
 (P8~P7) : (J7~J8) = 1:1±5%

Primary Inductance : 350uH MIN. @100KHz, 0.1V 8mA DC BIAS
 DC Resistance : 1.2OHMS MAX.
 Insertion Loss :
 1-100MHz -1.0dB MAX.
 100-125MHz -1.2dB MAX.
 Return Loss :
 1-40MHz -16dB MIN.
 40-60MHz -12dB MIN.
 60-80MHz -10dB MIN.
 80-100MHz -8dB MIN.
 Cross Talk : 1-100MHz -30dB MIN.
 Common to Common Mode Attenuation : 1-100MHz -30dB MIN.
 Isolation : PHY Side to Line Side : 1200V DC



PIN	GREEN	YELLOW
P11	-	/
P12	+	+
P13	/	-

LEAD FREE PRODUCT	METRIC	Han Electronic
	DRAWN Y. TOMITA	
RoHS Directive compliant 2002/95/EC	APPROVER P. CANNING	TITLE MODULAR JACK 2×2 PORTS ICM 1,000 BASE-T FILTER THROUGH HOLE
	DIMENSIONS ARE IN MILLIMETERS TOLERANCES . ±0.50 .x ±0.38 .xx ±0.25 .xxx ±0.10 ANGULAR ±3°	
THIRD ANGLE PROJECTION	SIZE A4	PRODUCT N.L. RMG22-51×T040PV-F22S40S
	SHEET NO. OF 3	SCALE N/A