

NOTES: (UNLESS OTHERWISE SPECIFIED)

MATERIAL

- HOUSING : THERMOPLASTIC, UL94V-0
- CONTACT : PHOSPHOR BRONZE, T=0.30mm
- SHIELD : BRASS, T=0.20mm

REMARK

- SUITABLE FOR CAT 5 & 6 FAST ETHERNET CABLE OR BETTER UTP.
- ALL DIMENSION CONFORMING TO TIA-1096-A REGULATIONS.

ORDER OPTION

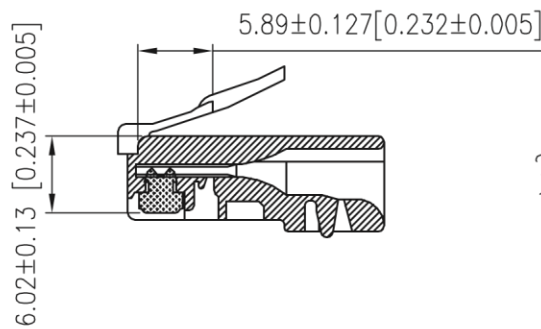
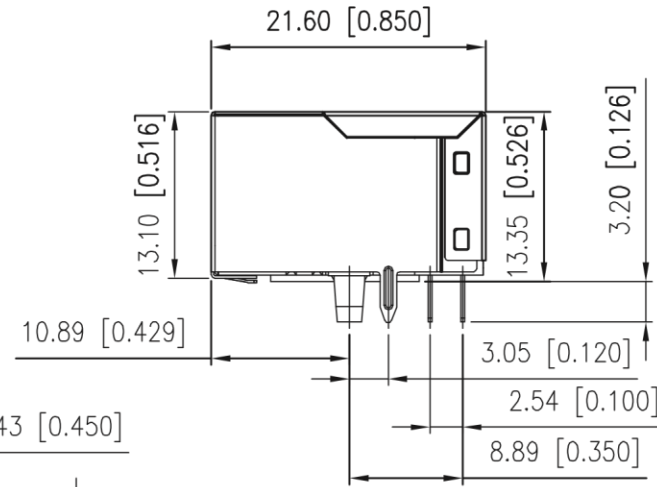
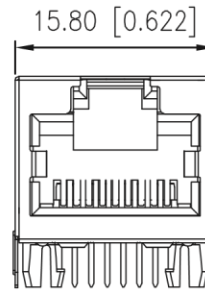
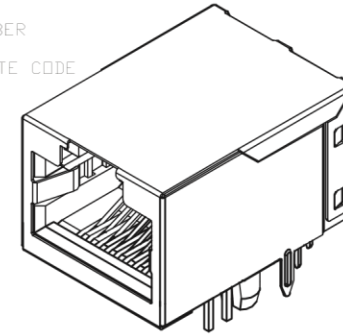
RMGFN - × 1 × T010PU - F11SNNN

PLATING
 0~Au 0.2~1μ ON CONTACT AREA
 1~Au 3μ ON CONTACT AREA
 2~Au 6μ ON CONTACT AREA
 6~Au 30μ ON CONTACT AREA
 8~Au 50μ ON CONTACT AREA

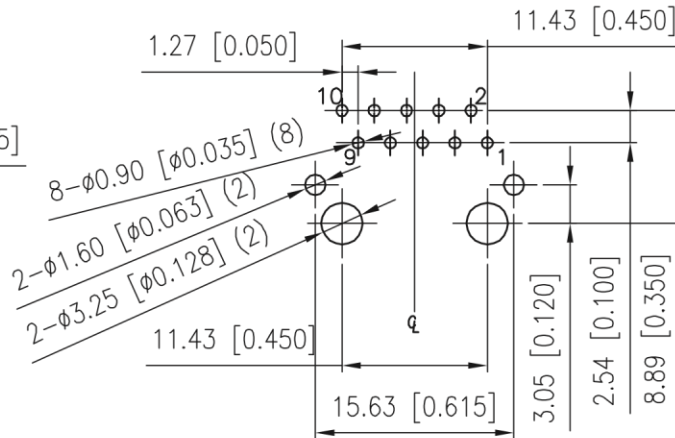
HOUSING
 5~HIGH-TEMPERATURE PA66, UL94V-0
 6~HIGH-TEMPERATURE PBT, UL94V-0



PART NUMBER
&
PRODUCTION DATE CODE



RECOMMENDED PLUG DIMENSIONS



RECOMMENDED CIRCUIT BOARD LAYOUT
 (TOP VIEW)
 DIMENSION TOLERANCE ±0.05[0.001]

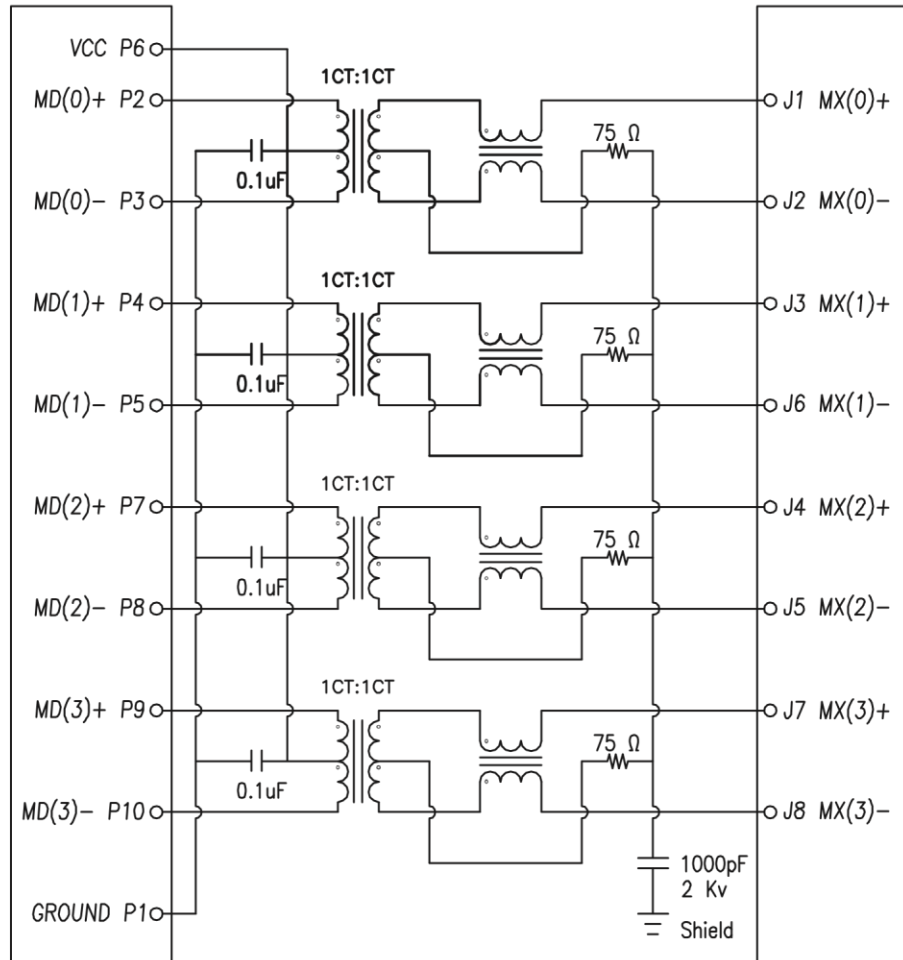
RoHS Directive compliant 2002/95/EC	DRAWER Y. TOMITA	Han Electronic
	APPROVER S. TAKESHI	
	DIMENSIONS ARE IN MILLIMETERS TOLERANCES X.X ±0.38 X.XX ±0.25 X.XXX ±0.10 ANGULAR ±3°	TITLE MODULAR JACK 10P10C, 100/1000 Mbps W/SHIELD, FILTER THROUGH HOLE
	THIRD ANGLE PROJECTION	PRODUCT NO. RMGFN-×1×T010PU-F11SNNN
	SIZE A4	SHEET NO. 1 OF 2
		SCALE 1 : 1

SCHEMATIC

ELECTRICAL CHARACTERISTICS

CONNECTOR SOLDER SIDE

RJ45 CONTACT SIDE



TEST NOTES:(25°±5°C)

- TR:(100KHz,0.1V); 100%
PINS:(P2,P3):(J1,J2)=1:1±3%;(P4,P5):(J3,J6)=1:1±3%
PINS:(P7,P8):(J4,J5)=1:1±3%;(P8,P7):(J9,J10)=1:1±3%
- LX:(100KHz,100mV,8mA, DC Bias) 100%
PINS:(P2,P3),(P4,P5),(P7,P8),(P9,P10)=350uH MINIMUM
- DCR: 100%
PINS:(J1,J2),(J3,J6),(J4,J5),(J7,J8)=1.2 OHMS MAXIMUM
- HIPOT: 100%
PINS(P2,P3)TO(J1,J2),(P4,P5)TO(J3,J6)=1500VAC FOR 2 SECONDS
PINS(P7,P8)TO(J4,J5),(P9,P10)TO(J7,J8)=1500VAC FOR 2 SECONDS
- INSERTION LOSS:
-1.0dB MAXIMUM AT 1MHz TO 100MHz;
- RETURN LOSS:
-20dB MINIMUM AT 1MHz TO 30MHz;
-15dB MINIMUM AT 30MHz TO 60MHz
-10dB MINIMUM AT 60MHz TO 80MHz
- CROSS TALK:
-30dB MINIMUM AT 1MHz TO 100MHz
- COMMON TO COMMON MODE REJECTION:
-30dB MINIMUM AT 1MHz TO 100MHz

<p>RoHS Directive compliant: 2002/95/EC</p> <p>LEAD FREE PRODUCT</p> <p>THIRD ANGLE PROJECTION</p>	<p>METRIC</p>	<p>Han Electronic</p>
	<p>DESIGNER</p> <p>Y. TOMITA</p>	
	<p>APPROVER</p> <p>S. TAKESHI</p>	<p>TITLE</p> <p>MODULAR JACK 10P10C, 100/1000 Mbps W/SHIELD, FILTER THROUGH HOLE</p>
	<p>DIMENSIONS ARE IN MILLIMETERS TOLERANCES</p> <p>X.X ±0.38 X.XX ±0.25 X.XXX ±0.10 ANGULAR ±3°</p>	<p>PRODUCT NO.</p> <p>RMGFN-×1×T010PU-F11SNNN</p>
<p>SIZE</p> <p>A4</p>	<p>SHEET NO.</p> <p>2 OF 2</p>	<p>SCALE</p> <p>1 : 1</p>