

NOTES : (UNLESS OTHERWISE SPECIFIED)

MATERIAL

- HOUSING : THERMOPLASTIC, UL94V-0
- CONTACT : COPPER ALLOY
- SHIELD : BRASS

SPECIFICATION

- PIN NOT ELECTRICALLY CONNECTED MAYBE OMITTED
PLEASE CHECK SCHEMATICS FOR OMITTED PINS.
- MATES PLUG CONFORMING TO TIA-1096-A REGULATIONS.
- OPERATION TEMPERATURE : -40°C ~ +70°C
- WAVE SOLDERING PEAK TEMPERATURE :
PBT - 250°C FOR 5 SECONDS
PA66 - 265°C FOR 3 SECONDS

ORDER OPTION

RMJ01 - × 1 × T008PD - F11S × × N

RIGHT LED
3-WHITE 4-GREEN 6-ORANGE
7-RED A-BLUE 0-YELLOW
N-NO LED, CLOSED

LEFT LED
(SAME AS ABOVE)

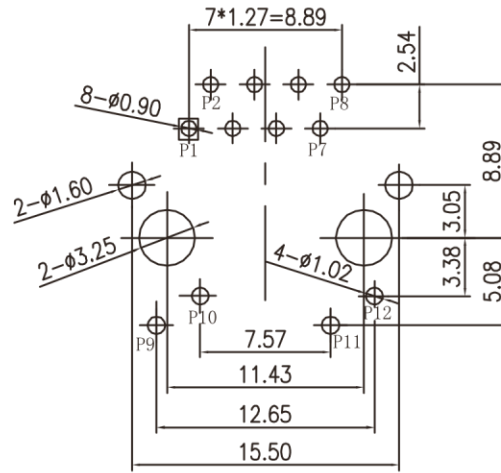
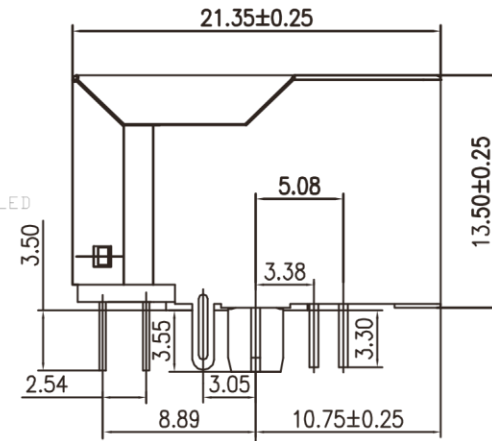
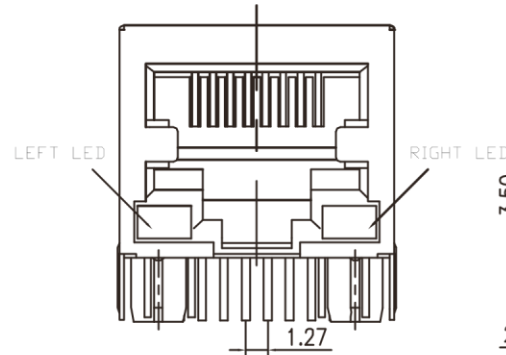
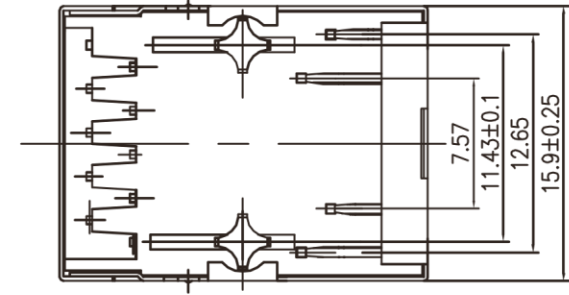
PLATING
0-Au 0.2~1μ ON CONTACT AREA
2-Au 6μ ON CONTACT AREA
6-Au 30μ ON CONTACT AREA
8-Au 50μ ON CONTACT AREA

HOUSING
5-HIGH-TEMPERATURE PA66, UL94V-0
6-HIGH-TEMPERATURE PBT, UL94V-0

LED Sepcification

Standard LED	Wave Length	Forward Voltage(Max.)	TYP
Green	565nm	2.4V	2.2V
Yellow	590nm	2.5V	2.1V

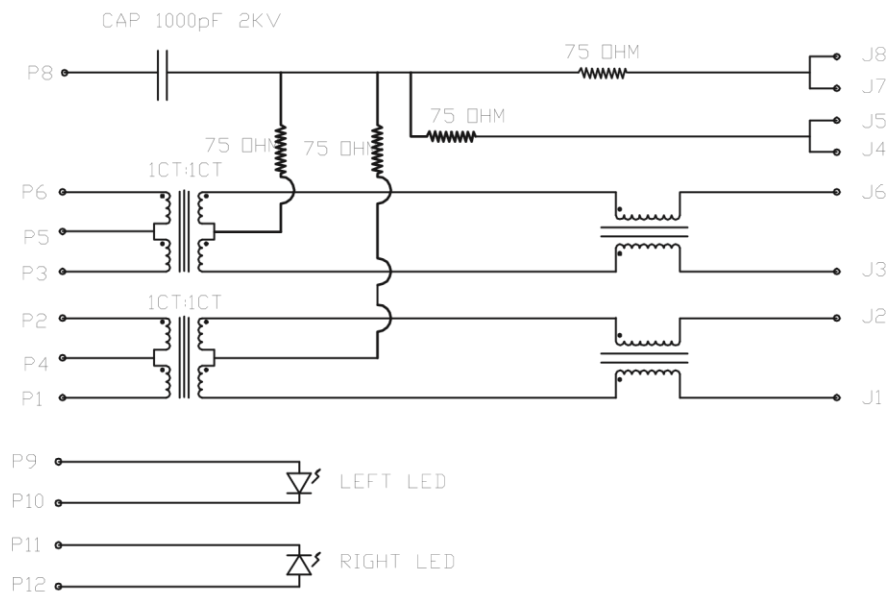
* With a forward current of 20mA



RECOMMENDED CIRCUIT BOARD LAYOUT

LEAD FREE PRODUCT		METRIC		Han Electronic
DRAWN	Y. TOMITA	DIMENSIONS ARE IN MILLIMETERS TOLERANCES	TITLE	
	APPROVER		S. TAKESHI	PRODUCT NO.
RoHS Directive compliant 2002/95/EC	X.X ±0.38	ANGULAR ±3°	SHEET NO.	1 OF 2
	X.XX ±0.25		SIZE	A4
	X.XXX -----		THIRD ANGLE PROJECTION	

SCHEMATIC



ELECTRICAL CHARACTERISTICS

- 1.0 TURN RATIO :
 (P1~P2) : (J1~J2) : 1:1±3%
 (P3~P6) : (J3~J6) : 1:1±3%
- 2.0 INDUCTANCE : (P1~P2) AND (P3~P6) 350uH MIN. @ 1.0V, 100KHz, 8mA DC BIAS
- 3.0 LEAKAGE INDUCTANCE :
 P1~P2 (WITH J1 AND J2 SHORT) : 0.35uH MAX @ 1MHz
 P3~P6 (WITH J3 AND J6 SHORT) : 0.35uH MAX. @ 1MHz
- 4.0 INTERWINDING CAPACITANCE :
 (P1~P2) : (J1~J2) : 35pF MAX. @ 1MHz
 (P3~P6) : (J3~J6) : 35pF MAX. @ 1MHz
- 5.0 DC RESISTANCE :
 (J1~J2) : (J3~J6) : 1.2 OHMS MAX.
- 6.0 RETURN LOSS :
 1 MHz TO 30 MHz : -18dB MIN.
 30 MHz TO 60 MHz : -(18-20log(f/30))dB MIN. (WHERE f IS IN MHZ))
 60 MHz TO 80 MHz : -12dB MIN.
- 7.0 DIELECTRIC WITHSTAND :
 (P1~P2) : (J1~J2) : 1,500VAC OR 2,250 VDC
 (P3~P6) : (J3~J6) : 1,500VAC OR 2,250 VDC
- 8.0 INSERTION LOSS :
 100KHz TO 100 MHZ : -1.2dB MAX.
- 9.0 CROSS TALK :
 1 MHZ TO 100 MHZ : -35dB TYP
- 10.0 COMMON TO COMMON MODE ATTENUATION :
 30MHZ TO 100MHZ : -30dB TYP

LEAD FREE PRODUCT	METRIC		Han Electronic
	DRAWER	Y. TOMITA	
RoHS Directive compliant 2002/95/EC	APPROVER	S. TAKESHI	TITLE MODULAR JACK 8P8C, 10/100 MBPS W/LED,W/SHIELD, TAB-DOWN, THRU HOLE
	DIMENSIONS ARE IN MILLIMETERS TOLERANCES		
	X.X	±0.38	PRODUCT NO. RMJ01-x1xT008PD-F11SxxN
	X.XX	±0.25	
	X.XXX	-----	SHEET NO. 2 OF 2
	ANGULAR	±3°	
	THIRD ANGLE PROJECTION	SIZE A4	SCALE N/A