

**NOTES :** (UNLESS OTHERWISE SPECIFIED)

**MATERIAL**

- ☐ HOUSING : HIGH-TEMPERATURE PBT, UL94V-0
- ☐ COVER : HIGH-TEMPERATURE PBT, UL94V-0
- ☐ CENTER PIN : BRASS,  $\phi 2.5\text{mm}$
- ☐ TERMINAL #1 : BRASS
- ☐ TERMINAL #2 : QSN6,5-0.1
- ☐ TERMINAL #3 : BRASS

**SPECIFICATION**

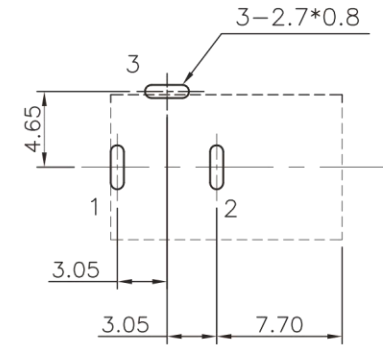
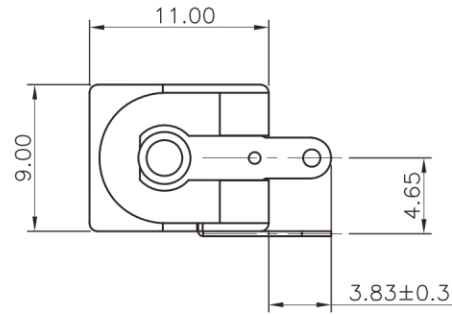
- ☐ RATING : DC 12V,2A, OR DC 30V,0.5A.
- ☐ CONTACT RESISTANCE : 30 MILLIOHMS MAX.
- ☐ INSULATION RESISTANCE : 100 MEGAOHMS MIN. @ 250V DC
- ☐ WITHSTAND VOLTAGE : 500V AC RMS 50(60)Hz, 1 MINUTE.
- ☐ MATING/UNMATING FORCE : 3~30N, MAX.
- ☐ OPERATING LIFE CYCLE : 5,000 CYCLES MIN.
- ☐ STORAGE TEMPERATURE :  $-10^{\circ}\text{C}\sim+45^{\circ}\text{C}$
- ☐ RELATIVE HUMIDITY LOWER 80%
- ☐ WAVE SOLDERING TEMPERATURE :
  - PBT -  $250^{\circ}\text{C}$  FOR 5 SECONDS
  - PA66 -  $265^{\circ}\text{C}$  FOR 3 SECONDS
- ☐ OPERATION TEMPERATURE :  $-25^{\circ}\text{C}\sim+70^{\circ}\text{C}$

**ORDER OPTIONS**

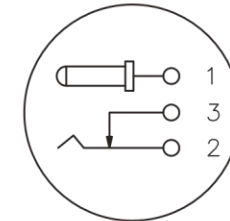
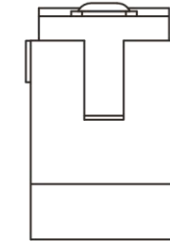
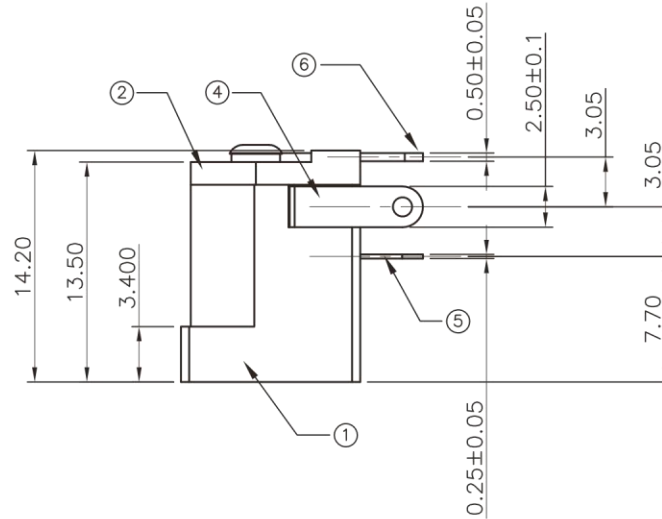
RPJ01 - 6 × × T003N1

**PLATING**  
 0~Au 0.2~1 $\mu$  ON CONTACT AREA  
 1~Au 3 $\mu$  ON CONTACT AREA  
 4~Au 15 $\mu$  ON CONTACT AREA  
 6~Au 30 $\mu$  ON CONTACT AREA

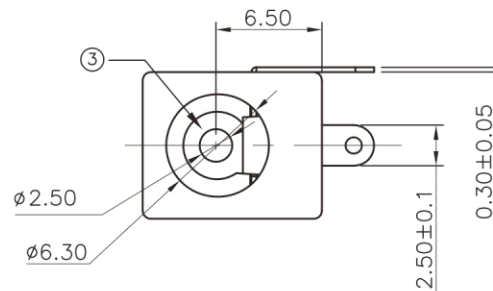
**HOUSING COLOR**  
 1~BLACK 2~WHITE 3~BEIGE  
 4~GREEN 7~RED 0~YELLOW



RECOMMENDED PCB LAYOUT  
TOP VIEW (TOL:±0.05)



CIRCUIT DIAGRAM



RoHS Directive compliant 2002/95/EC	DRAWER H. TANAKA	<b>Han Electronic</b>
	APPROVER K. OZAWA	
	DIMENSIONS ARE IN MILLIMETERS TOLERANCES X.X ±0.30 X.XX ±0.20 X.XXX ±0.10 ANGULAR ±3°	TITLE DC POWER JACK CONNECTOR 3 PINS $\phi 2.50\text{mm}$ DIP TYPE
	THIRD ANGLE PROJECTION	SIZE <b>A4</b>
	SHEET NO. 1 OF 1	SCALE 1 : 1