

NOTES : (UNLESS OTHERWISE SPECIFIED)

MATERIAL

- HOUSING : THERMOPLASTIC, UL94V-0
- CONTACT : PHOSPHOR BRONZE, $\phi 0.46\text{mm}$

SPECIFICATION

- VOLTAGE RATING : 125V AC RMS
- CURRENT RATING : 1.5AMP @ 25°C
- CONTACT RESISTANCE : 20 MILLIOHMS MAX.
- INSULATION RESISTANCE : 1,000 MEGOHMS MIN. @ 500V DC
- WITHSTAND VOLTAGE :
 - CONTACT TO CONTACT - 1,000V DC OR AC PEAK
 - CONTACT TO SCREEN AND TEST PANEL - 1,500V DC OR AC PEAK
- MATING/UNMATING FORCE : 30N. MAX.
- RETENTION FORCE : 50N FOR 60s.±5s.
- STORAGE TEMPERATURE : -40° ~ +85°C
- WAVE SOLDERING TEMPERATURE :
 - PBT - 250°C FOR 5 SECONDS
 - PA66 - 260°C FOR 3 SECONDS

MATES WITH PLUG CONFORMING TO TIA-1096-A REGULATIONS

ORDER OPTION

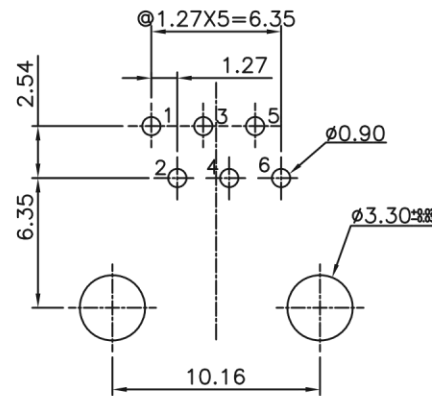
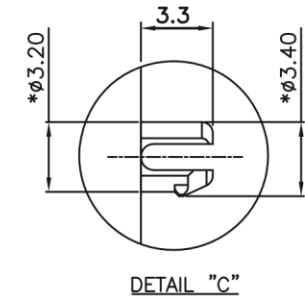
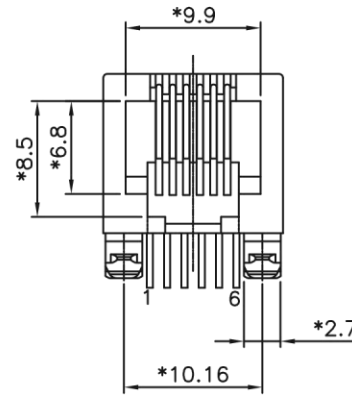
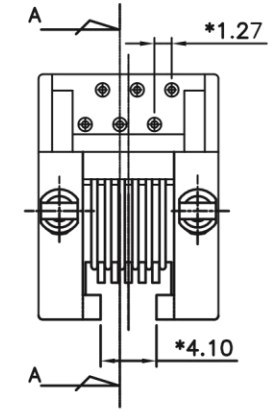
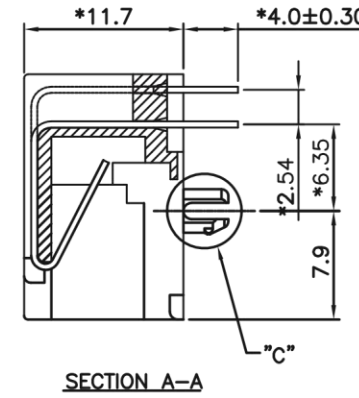
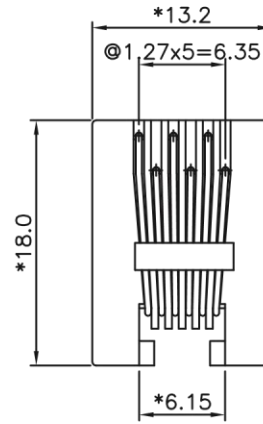
RR602 - X X X T0 XX PD

POS. NO.
 02~6P2C #3,4(RJ11)
 04~6P4C #2,3,4,5(RJ14)
 06~6P6C #1,2,3,4,5,6(RJ25)

PLATING
 A~Au 0.2~1 μ OVERALL
 C~Au 6 μ OVERALL
 F~Au 30 μ OVERALL
 G~Au 50 μ OVERALL

HOUSING COLOR
 1~BLACK 3~WHITE 4~GREEN 6~ORANGE
 7~RED 9~COOL GRAY 3u' 0~YELLOW
 A~BLUE

HOUSING MATERIAL
 5~HIGH-TEMPERATURE PA66, UL94V-0
 6~HIGH-TEMPERATURE PBT, UL94V-0



RECOMMENDED CIRCUIT BOARD LAYOUT
 (COMPONENT SIDE VIEW)
 BOARD THICKNESS=1.60mm

RoHS Directive compliant 2002/95/EC	METRIC		Han Electronic
	DRAWN YOKOHAMA	TITLE REGISTERED JACK 6P×C, 1×1 PORT TAB-DOWN, RECEPTACLE THROUGH HOLE	
THIRD ANGLE PROJECTION	APPROVER TAKASHI	DIMENSIONS ARE IN MILLIMETERS TOLERANCES	PRODUCT NO. RR602-XXXT0XXPD
	SIZE A4	00~15 ±0.15 15~30 ±0.20 30~ ±0.25 ANGULAR ±1.5°	SHEET NO. 1 OF 1 SCALE 1 : 1