

NOTES: (UNLESS OTHERWISE SPECIFIED)

MATERIAL

- HOUSING : HIGH-TEMPERATURE THERMOPLASTIC, UL94V-0
- CONTACT : PHOSPHOR BRONZE, $\phi 0.46\text{mm}$

SPECIFICATION

- VOLTAGE RATING : 150V AC RMS
- CURRENT RATING : 1.5AMP @ 25°C
- CONTACT RESISTANCE : 30 MILLIOHMS MAX.
- INSULATION RESISTANCE : 500 MEGOHMS MIN. @ 500V DC
- WITHSTAND VOLTAGE :
 - CONTACT TO CONTACT - 1,000V DC OR AC PEAK
 - CONTACT TO SCREEN AND TEST PANEL - 1,500V DC OR AC PEAK
- DURABILITY : 750 CYCLES
- STORAGE TEMPERATURE : -40°C ~ +85°C
- RELATIVE HUMIDITY LOWER 80%
- WAVE SOLDERING TEMPERATURE :
 - PBT - 250±5°C FOR 9 SECONDS
 - PA66 - 260±5°C FOR 5 SECONDS

MATES WITH PLUG DIMENSION CONFORMING TO TIA-1096-A

ORDER OPTIONS

RR606 - x x x T0 xx PU - R12NNNN

POSITIONS

- 04-6P2C (RJ11)
- 08-6P4C (RJ14)
- 12-6P6C (RJ25)

PLATING

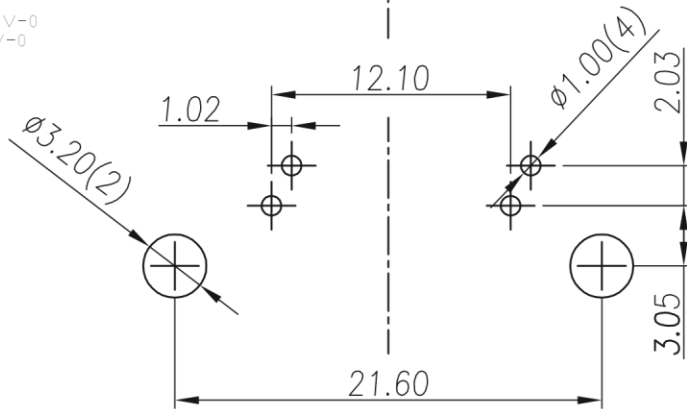
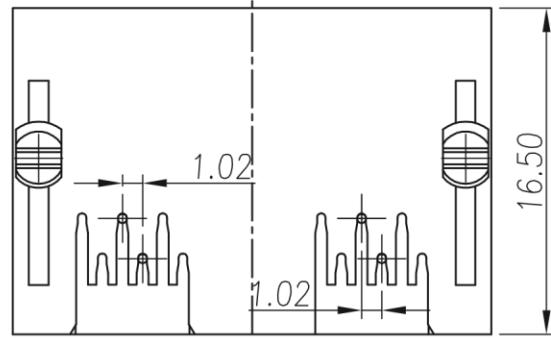
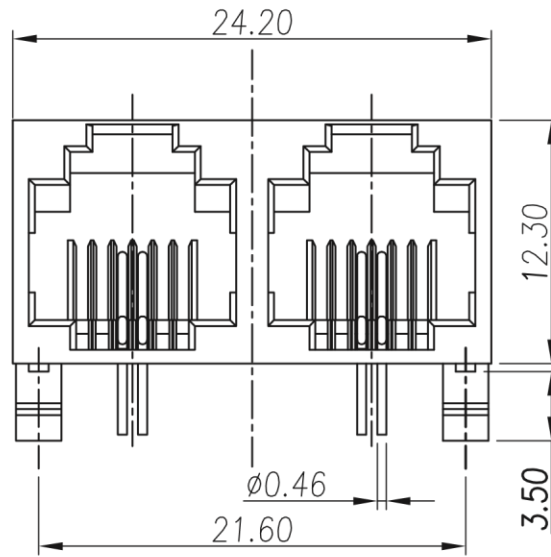
- A-Au 0.2~1 μ OVERALL
- C-Au 6 μ OVERALL
- F-Au 30 μ OVERALL
- G-Au 50 μ OVERALL

HOUSING COLOR

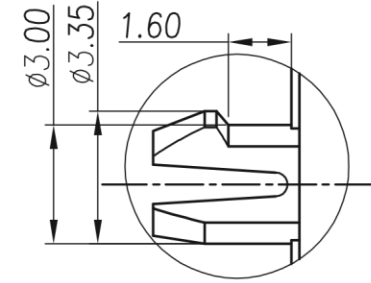
- 1-BLACK 2-WHITE 4-GREEN
- 9-COOL GRAY 3u' A-BLUE
- 0-YELLOW 114C E-GRAY 429C

HOUSING MATERIAL

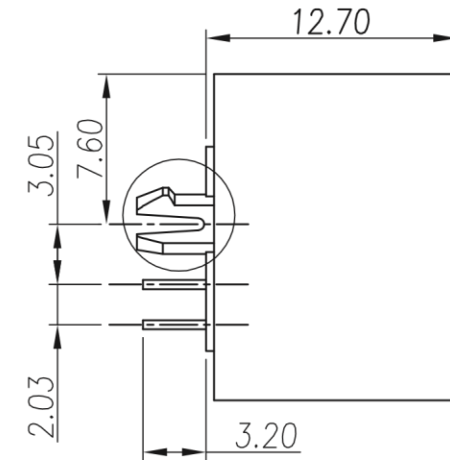
- 5-HIGH-TEMPERATURE PA66, UL94V-0
- 6-HIGH-TEMPERATURE PBT, UL94V-0



RECOMMENDED P.C.B LAYOUT(±0.05)
TOP VIEW (COMPONENT SIDE)



SECTION "A-A"
SCALE: 2:1



METRIC		Han Electronic
DRAWER	Y. TOMITA	
APPROVER	K. KITAGAWA	
DIMENSIONS ARE IN MILLIMETERS TOLERANCES	X.X ±0.38 X.XX ±0.25 X.XXX ±0.10 ANGULAR ±3°	TITLE REGISTERED JACK 6P×C, 1×2 PORTS H=12.70mm THROUGH HOLE TYPE
RoHS Directive compliant 2002/95/EC	THIRD ANGLE PROJECTION SIZE A4	PRODUCT NO. RR606-xxxT0xxPU-R12NNNN SHEET NO. 1 OF 1 SCALE 1 : 1