

NOTES : (UNLESS OTHERWISE SPECIFIED)

MATERIAL

- HOUSING : HIGH-TEMPERATURE, UL94V-0
- CONTACT : PHOSPHOR BRONZE, T=0.35mm

SPECIFICATION

- VOLTAGE RATING : 125V AC RMS
- CURRENT RATING : 1.5AMP @ 25°C
- CONTACT RESISTANCE : 20 MILLIOHMS MAX.
- INSULATION RESISTANCE : 1,000 MEGAOHMS MIN. @ 500V DC
- WITHSTAND VOLTAGE :
 - CONTACT TO CONTACT - 1,000V DC OR AC PEAK
 - CONTACT TO SCREEN AND TEST PANEL - 1,500V DC OR AC PEAK
- MATING/UNMATING FORCE : 30N. MAX.
- RETENTION FORCE : 50N FOR 60s.±5s.
- STORAGE TEMPERATURE : -40°+85°C
- RELATIVE HUMIDITY LOWER 80%
- WAVE SOLDERING TEMPERATURE :
 - PBT - 250°C FOR 5 SECONDS
 - PA66 - 265°C FOR 3 SECONDS

ORDER OPTION

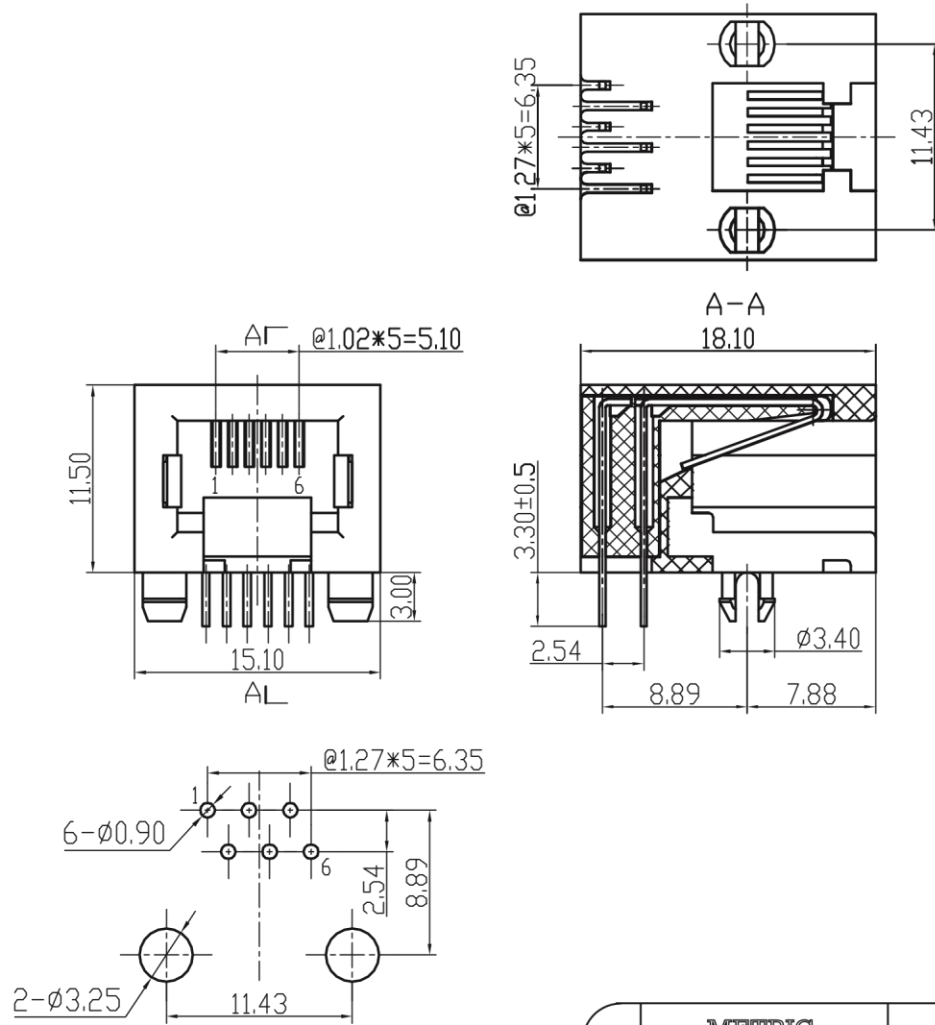
RR631 - x x x T00 x PD

POSITION NO.
2. 6P2C(RJ11)
4. 6P4C(RJ14)
6. 6P6C(RJ25)

PLATING
0~Au 0.2~1μ ON CONTACT AREA
1~Au 3μ ON CONTACT AREA
3~Au 6μ ON CONTACT AREA
6~Au 30μ ON CONTACT AREA
8~Au 50μ ON CONTACT AREA

COLOR
1~BLACK 2~BEIGE 3~WHITE
4~GREEN 7~RED 8~PURPLE
9~COOL GRAY 3u' A~BLUE
0~YELLOW 114C D~GRAY(429C)

HOUSING
5~HIGH-TEMPERATURE PA66, UL94V-0
6~HIGH-TEMPERATURE PBT, UL94V-0



LEAD FREE PRODUCT (Pb)	METRIC DRAWER Y. TOMITA	Han Electronic
	APPROVER K. KITAGAWA	
RoHS Directive compliant 2002/95/EC	DIMENSIONS ARE IN MILLIMETERS TOLERANCES 00~15 ±0.15 15~30 ±0.20 30~ ±0.25 ANGULAR ±1°	TITLE REGISTERED JACK 31 SERIES, 6P×C MINIATURE THRU HOLE
	THIRD ANGLE PROJECTION	SIZE A4
	SHEET NO. 1 OF 1	SCALE 1 : 1