

※NOTES※

MATERIALS

- ① HOUSING : THERMOPLASTIC-PA66 WITH 30%G.F., UL94V-0
- ② INSERT PLATE : THERMOPLASTIC-PA66 WITH 30%G.F., UL94V-0
- ③ TERMINAL : $\phi 0.45 \pm 0.1 \text{mm}$ COPPER ALLOY, PLATED WITH NICKEL UNDER SELECTIVE GOLD.

ELECTRICAL

- ① CURRENT RATING : 125V AC RMS
- ② VOLTAGE RATING : 1.5 AMPERE @25°C
- ③ CONTACT RESISTANCE : 20 MILLIOHMS MAX.
- ④ INSULATION RESISTANCE : 1000 MEGOHMS MIN. @500V DC
- ⑤ DIELECTRIC VOLTAGE : 1,000V AC RMS 60Hz FOR 1 MINUTE

MECHANICAL

- ① MATING/UNMATING FORCE : 22N/2.27Kg MAX.
- ② RETENTION STRENGTH : 7.7Kg BETWEEN JACK AND PLUG
- ③ DURABILITY : 750 MATING CYCLES MIN.

ENVIRONMENTAL

- ① STORAGE TEMPERATURE : $-40^{\circ}\text{C} \sim 85^{\circ}\text{C}$
- ② OPERATION TEMPERATURE : $-0^{\circ}\text{C} \sim +70^{\circ}\text{C}$
- ③ RoHS PEAK WAVE-SOLDERING TEMPERATURE :
 NYLON 66 - $255 \pm 5^{\circ}\text{C}$ FOR 9 SECONDS
 PBT - $245 \pm 5^{\circ}\text{C}$ FOR 10 SECONDS

※※ ALL DIMENSIONS ARE FOLLOWING TIA-1096-A REGULATION.
 ※※ MATES MODULAR JACK PLUG CONFORMING TO TIA-1096-A REGULATION, AND FCC PART 68, SUBPART F.

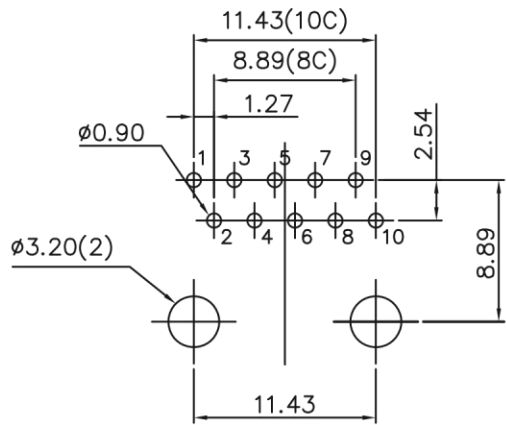
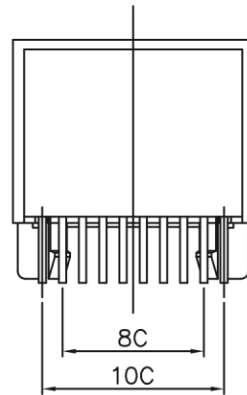
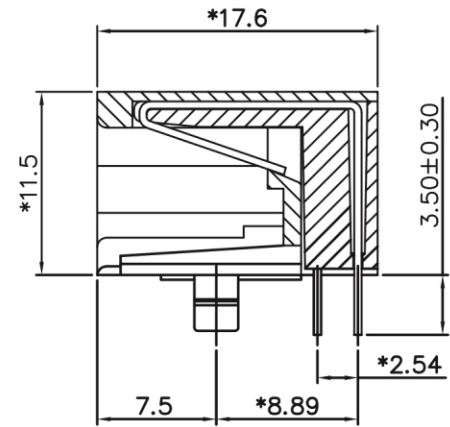
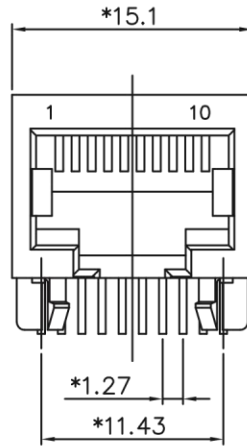
HOW TO ORDER THIS PRODUCT

RR822 - * * * T008PD-R11NNNN

PLATING
 A~Au 0.2~1 μ OVERALL
 B~Au 3 μ OVERALL
 C~Au 6 μ OVERALL

HOUSING COLOR
 1~BLACK
 2~BEIGE/WHITE
 4~GREEN PANTONE#354C
 7~RED PANTONE#1805C
 9~COOL GRAY PANTONE GRAY 3U
 0~YELLOW PANTONE#114C

HOUSING MATERIAL
 5~NYLON 66, UL94V-0
 6~PBT, UL94V-0



PC Board Layout t = 1.60mm
 Component Side Shown

QUALITY CONTROLING DEPARTMENT SHALL PRINTED THE SYMBOL AS *	METRIC		Han Electronic
	DRAWER	Y.C. YANG	
RoHS COMPLIANT HLF LEAD FREE	APPROVER	S. CAMPBELL	TITLE 8P×C, R/A, TAB-DOWN REGISTERED JACK CONNECTOR
DIMENSIONS ARE IN MILLIMETERS TOLERANCES		PRODUCT NUMBER RR822-* * * T008PD-R11NNNN	
X. ----- X.X ±0.35 X.XX ±0.25 X.XXX ±0.15 ANGLES ±2°		DO NOT SCALE DRAWINGS	
THIRD ANGLE PROJECTION		SCALE NONE	
SIZE	A4	REV.	SHEET 1 OF 1