

NOTES : (UNLESS OTHERWISE SPECIFIED)

MATERIAL

- 1 HOUSING : THERMOPLASTIC, UL94V-0, HALOGEN FREE
- 2 CONTACT : PHOSPHOR BRONZE, T=0.35mm, HARD GOLD PLATING.

SPECIFICATION

- 1 VOLTAGE RATING : 125V AC RMS
- 2 CURRENT RATING : 1.5AMP @ 25°C
- 3 CONTACT RESISTANCE : 20 MILLIOHMS MAX.
- 4 INSULATION RESISTANCE : 1,000 MEGAOHMS MIN. @ 500V DC
- 5 WITHSTAND VOLTAGE :
 - CONTACT TO CONTACT - 1,000V DC OR AC PEAK
 - CONTACT TO SCREEN AND TEST PANEL - 1,500V DC OR AC PEAK
- 6 MATING/UNMATING FORCE : 30N, MAX.
- 7 RETENTION FORCE : 50N FOR 60s,±5s.
- 8 STORAGE TEMPERATURE : -40° ~ +85°C RELATIVE HUMIDITY < 80%.
- 9 WAVE SOLDERING PEAK TEMPERATURE : 260±5°C FOR 5 SECONDS.

REMARK

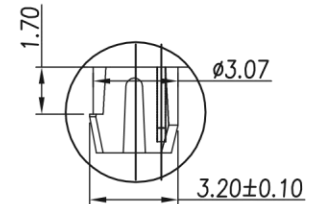
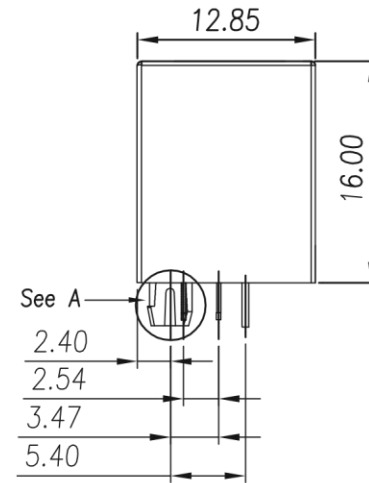
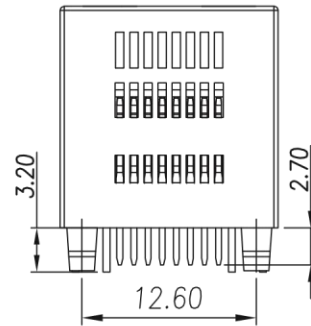
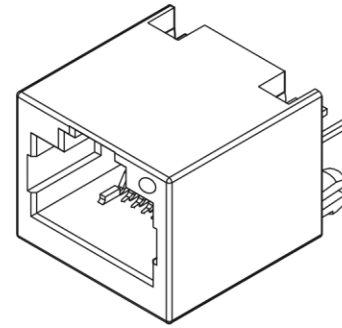
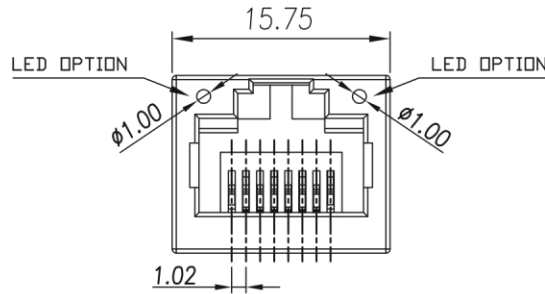
- 1 JACK CAVITY CONFORMS TO FCC RULES AND REGULATION PART 68 SUBPART F.
- 2 THIS CONNECTOR IS DESIGNED TO MEET THE APPLICABLE PERFORMANCE REQUIREMENTS OF IEC 60603 AND ANSI/TIA-1096-A REGULATIONS THIS IS AN "UL" RECOGNIZED PRODUCT.
- 3 ROHS COMPLIANCE, PER EU DIRECTIVE 2002/95/EC.
- 4 PATENT MAY REGISTERED IN VARIES REGION.

PRODUCT NUMBER INFORMATION

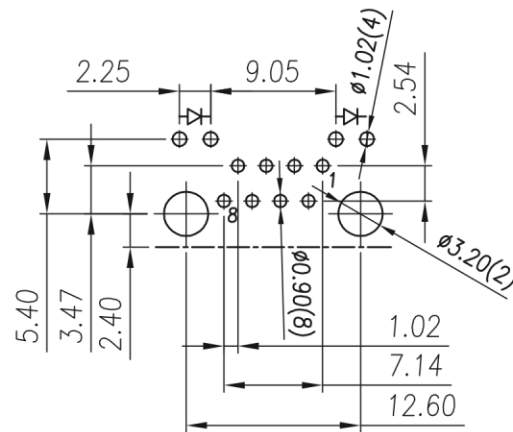
RR8S1-5 * 6 T008P7-F11N N3 N

LED OPTION
N3~NO LED ON THE LEFT
COLOR WHITE ON THE RIGHT

HOUSING COLOR
1~BLACK
2~WHITE



DETAIL A-A
SCALE 2:1



RECOMMENDED P.C.B. LAYOUT
(COMPONENT SIDE TOP VIEW)
TOLERANCE ± 0.05mm

| | | | |
|--|---|--|--|
| RoHS Directive compliance: 2002/95/EC LEAD FREE PRODUCT DRAWER APPROVER DIMENSIONS ARE IN MILLIMETERS TOLERANCES THIRD ANGLE PROJECTION | METRIC H. OZAWA P. TURNEAU | Han Electronic REGISTERED JACK 8P8C, VERTICLE (ROUND LED, Hg FREE) THROUGH HOLE TYPE | |
| | X.X ±0.25 X.XX ±0.15 X.XXX ±0.05 ANGULAR ±1° | | PRODUCT NO. RR8S1-5*6T008P7-F11NN3N |
| | SIZE A4 | SHEET NO. 1 OF 1 | SCALE 1 : 1 |