

※NOTES※

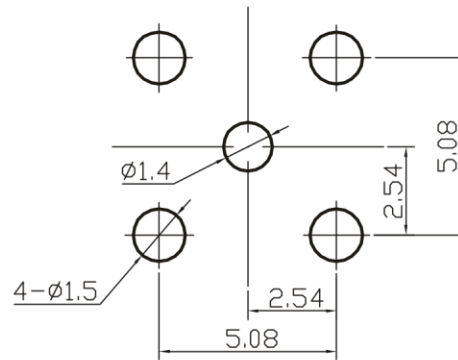
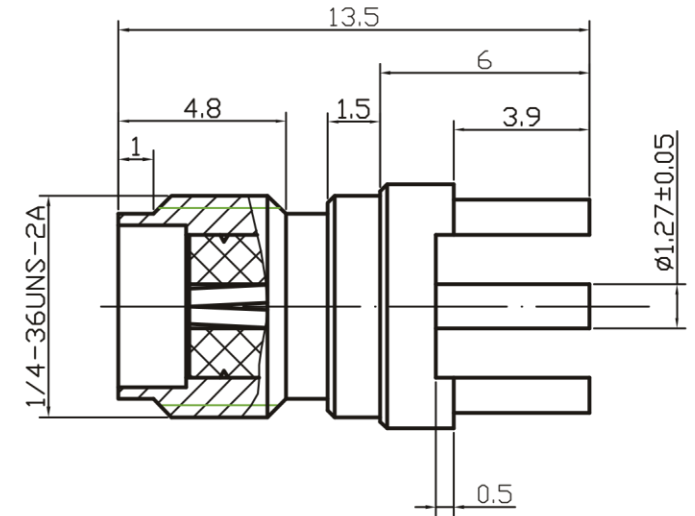
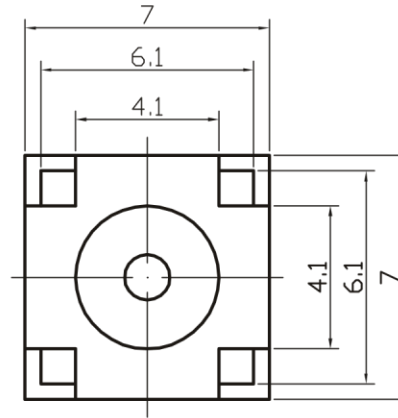
MECHANICAL

- ① BODY : BRASS, WITH GOLD PLATED
- ② INNER CONDUCTOR : BRYLLIUM-BRONZE, WITH GOLD PLATED
- ③ INSULATOR : TEFLON

SPECIFICATION

- ① CHARACTERISTIC IMPEDANCE : 50 OHMS
- ② OPERATION FREQUENCY RANGE : DC-18 GHz
- ③ DIELECTRIC WITHSTANDING VOLTAGE : 1,000V
- ④ INSULATION RESISTANCE : 5,000 MEGOHMS MIN.
- ⑤ CONTACT RESISTANCE : INNER CONDUCTOR 3 MILLIOHMS MAX.  
OUTER CONDUCTOR 2.5 MILLIOHMS MAX.
- ⑥ MECHANICAL DURABILITY : 500 CYCLE TIMES
- ⑦ ENVIRONMENTAL TEMPERATURE RANGE : -40°C ~ +85°C

THIS PRODUCT'S DIMENSION, CONDITION, AND SPECIFICATION ARE BUILT TO FULLFILLED THE REGULATION OF IEC60169-15. PATENT MAY REGISTERED TO PREVENT COPIES AND STANDS LEGAL RIGHTS.



RECOMMENDED P.C.B. LAYOUT  
PCB TOLERANCE ±0.05mm

QUALITY CONTROLING DEPENDABLE THE PRODUCT THE SYMBOL AS ★	<b>METRIC</b>		<b>Han Electronic</b>
	DRAWER	UTANI	
	APPROVER	KITAGAWA	
RoHS COMPLIANT	DIMENSIONS ARE IN MILLIMETERS TOLERANCES		TITLE
	X. ±0.40 X.X ±0.25 X.XX ±0.13 X.XXX ±0.05 ANGLES ±3°		
HIF INSULATED	DO NOT SCALE DRAWINGS		PRODUCT NUMBER
LEAD FREE	THIRD ANGLE PROJECTION		RRF01-720T005SS
SIZE	REV.	SCALE	SHEET 1 OF 1
A4		NONE	