

NOTES : (UNLESS OTHERWISE SPECIFIED)

MECHANICAL

- 1 CAGES : NICKEL SILVER ALLOY, THICKNESS 0.25mm
- 2 CONNECTOR HOUSING : THERMOPLASTIC-LCP, UL94V-0, BLACK
- 3 INSERT MOLDED TERMINAL HOUSING : THERMOPLASTIC-PA6T, UL94V-0, BLACK
- 4 LIGHTPIPES : POLYCARBONITE, UL94V-0, TRANSPARENCY
- 5 LIGHTPIPE HOLDER : THERMOPLASTIC-PA6T, UL94V-0, BLACK
- 6 CLIP : STAINLESS STEEL
- 7 TERMINAL : PHOSPHOR BRONZE,
GOLD PLATED ON CONTACT AREA,
TIN PLATED ON PRESS FIT AREA, NICKEL PLATED
OVERALL

ELECTRICAL

- 1 VOLTAGE : 30 VOLTS AC.
- 2 CURRENT : 0.50 A PER CONTACT
- 3 CONTACT RESISTANCE : 50 MILLIOHMS MIN. AT 100V DC FOR 1 MINUTE
- 4 DIELECTRIC WITHSTANDING VOLTAGE : 300V DC MIN.

TEMPERATURE :

- 1 OPERATION : -40°C ~ +85°C
- 2 STORAGE : -40°C ~ +85°C

LIGHTPIPE PAD LAYOUT IS FOR LOW-PROFILE LED PACKAGE.
LED SIZE (L*W*H) : 2*1*0.4mm MAX. RoHS COMPLIANCE.

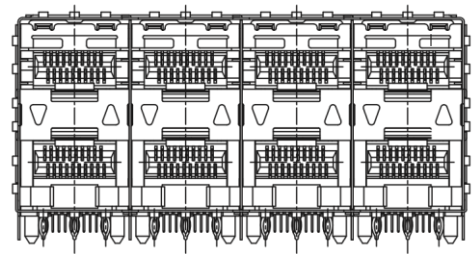
PRODUCT ORDER INFORMATION

RSC02 - 11 * T19711 - P24S ** N

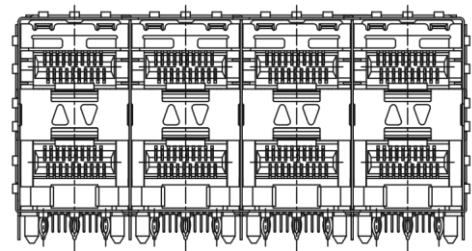
LIGHT PIPE OPTION
NN~WITHOUT LIGHTPIPES
YY~4 LIGHTPIPES
YN~OUTER 2 LIGHT PIPES
NY~INNER 2 LIGHT PIPES

PLATING
0~Au 0.2~1μ ON CONTACT AREA
4~Au 15μ ON CONTACT AREA
5~Au 30μ ON CONTACT AREA

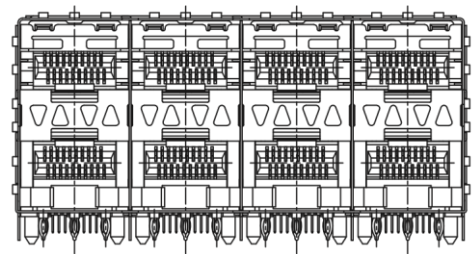
LEAD FREE PRODUCT	METRIC		Han Electronic
	DRAWN	TL, LEE	
RoHS Directive compliant: 2002/95/EC	APPROVER	TIM, LEE	TITLE STACKED SFP 2*4 ASSEMBLY
	DIMENSIONS ARE IN MILLIMETERS TOLERANCES		
	X.X	±0.25	PROJECT NO. RSC02-11*T19711-P24S**N
	X.XX	±0.15	
	X.XXX	±0.075	SHEET NO. OF 4
	ANGULAR	±3°	
THIRD ANGLE PROJECTION	SIZE	A4	SCALE 2 : 1



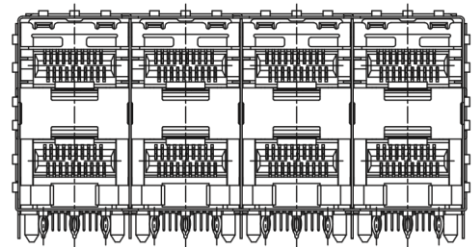
RSC02-11*T19711-P24SYNN (OUTER LIGHT PIPES)



RSC02-11*T19711-P24SNN (INNER LIGHT PIPES)

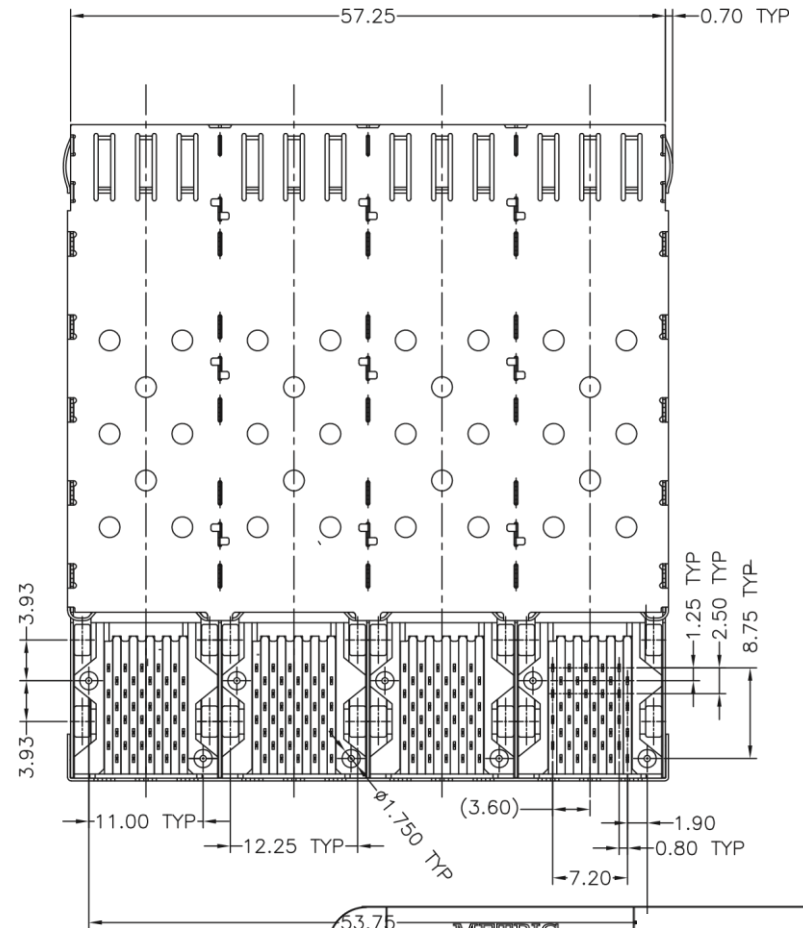


RSC02-11*T19711-P24SYNN (FULL LIGHT PIPES)

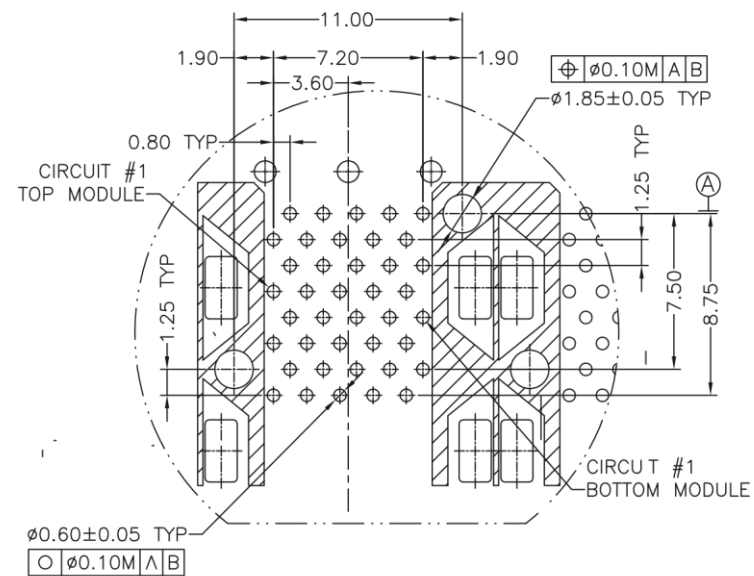
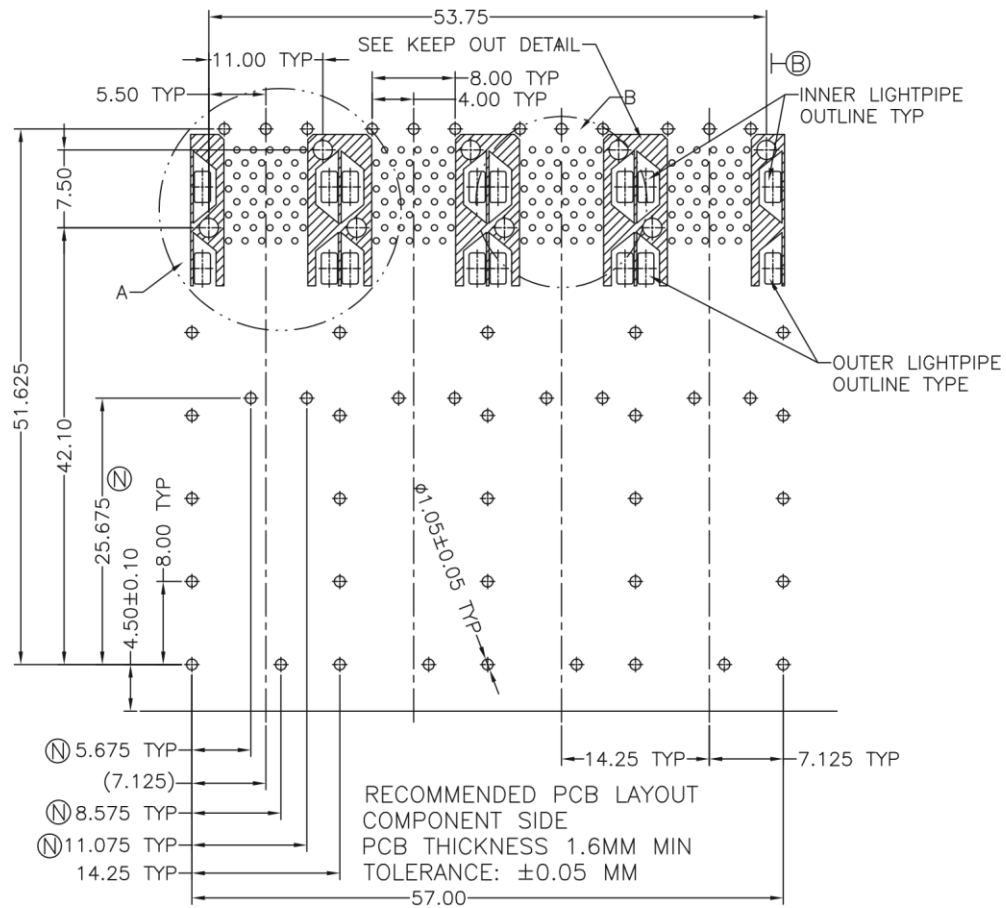


RSC02-11*T19711-P24SNN (WITHOUT LIGHT PIPES)

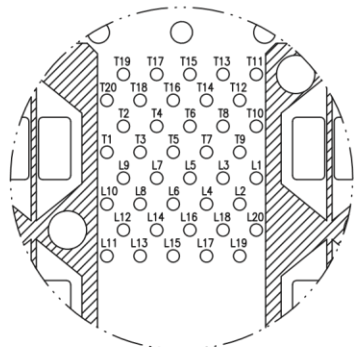
VIEW SCALE: 3:4



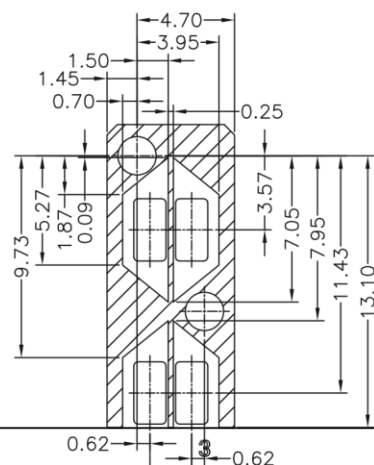
RoHS Directive compliant 2002/95/EC	DRAWN BY TL, LEE	TITLE STACKED SFP 2*4 ASSEMBLY
	APPROVED BY TIM, LEE	
DIMENSIONS ARE IN MILLIMETERS TOLERANCES		PROJECT NO. RSC02-11*T19711-P24S**N
THIRD ANGLE PROJECTION		SHEET NO. OF 4
SIZE A4		SCALE 2 : 1



DETAIL A
SCALE: 2:1



CONNECTOR PIN-OUT DETAIL
COMPONENT SIDE OF BOARD
DETAIL A



KEEP OUT
ZONE DETAIL
SCALE: 2:1

RoHS Directive compliant: 2002/95/EC	METRIC	Han Electronic
	TL, LEE	
APPROVER	TIM, LEE	STACKED SFP 2*4 ASSEMBLY
DIMENSIONS ARE IN MILLIMETERS TOLERANCES		
	X.X ±0.25 X.XX ±0.15 X.XXX ±0.075 ANGULAR ±3°	PROJECT NO. RSC02-11*T19711-P24S**N
THIRD ANGLE PROJECTION	SIZE A4	SHEET NO. OF 4
		SCALE 2:1

4

3

2

1

D

D

C

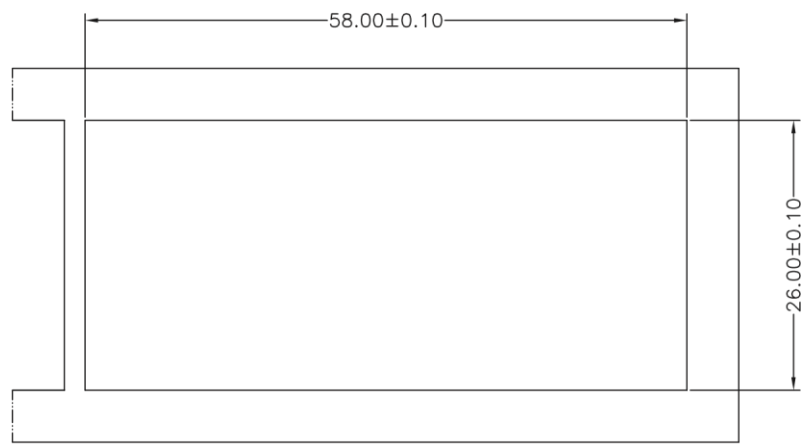
C

B

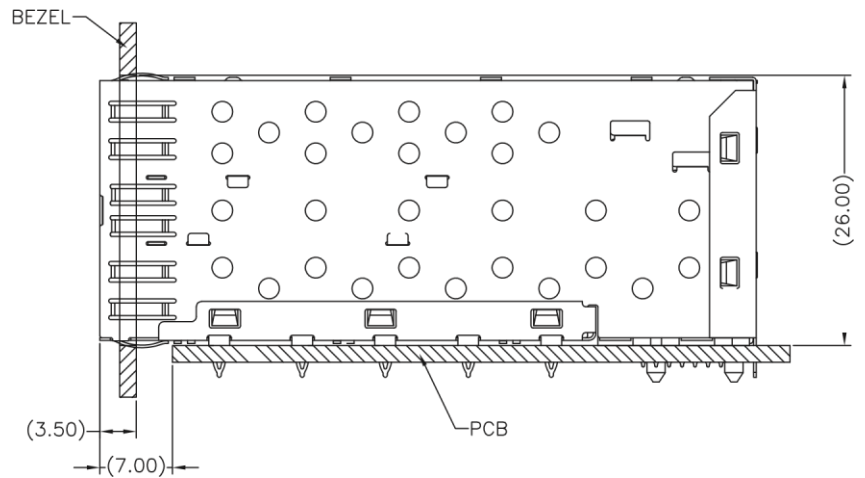
B

A

A



RECOMMENDED BEZEL CUT-OUT CENTER DETAIL
 BEZEL THICKNESS 0.8~2.6MM



RoHS Directive compliant 2002/95/EC	METRIC	Han Electronic
	DRAWN TL, LEE	
APPROVED TIM, LEE	DIMENSIONS ARE IN MILLIMETERS TOLERANCES X.X ±0.25 X.XX ±0.15 X.XXX ±0.075 ANGULAR ±3°	TITLE STACKED SFP 2×4 ASSEMBLY
LEAD FREE PRODUCT	THIRD ANGLE PROJECTION	PROJECT NO. RSC02-11×T19711-P24S××N
SIZE A4	SHEET NO. OF 4	SCALE 2 : 1

4

3

2

1