

NOTES : (UNLESS OTHERWISE SPECIFIED)

MATERIAL

- CONTACT SHORT : C2680H, T=0.25mm, SELECTIVE PLATING
- CONTACT LONG : C2680H, T=0.25mm, SELECTIVE PLATING
- HOUSING : HIGH-TEMPERATURE, UL94V-0, SELECTIVE COLOR
- FRONT SHIELD : SPTE, T=0.30mm, Sn PLATED
- SHIELD IN EMI : SPTE, T=0.30mm, Sn PLATED

SPECIFICATION

- CURRENT RATING : 1.5AMP AT 250V AC
- VOLTAGE RATING : 30V
- INSULATION RESISTANCE : 1000MΩ MIN.
- CONTACT RESISTANCE : 30mΩ MAX.
- DIELECTRIC WITHSTANDING VOLTAGE : 500V AC
- WAVE SOLDERING PEAK TEMPERATURE:
 - PBT - 250°C FOR 5 SECONDS
 - PA6T - 265°C FOR 5 SECONDS
- OPERATION TEMPERATURE : -20°C~+60°C
- MATING FORCE : 35N. MAX.
- UNMATING FORCE : 10N. MIN.

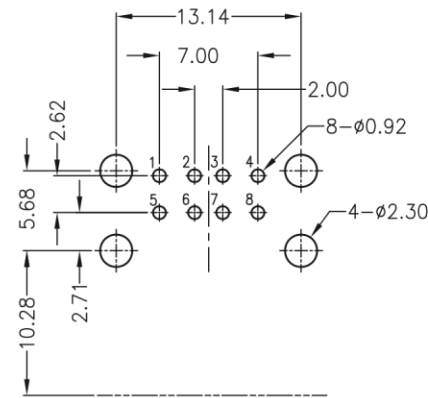
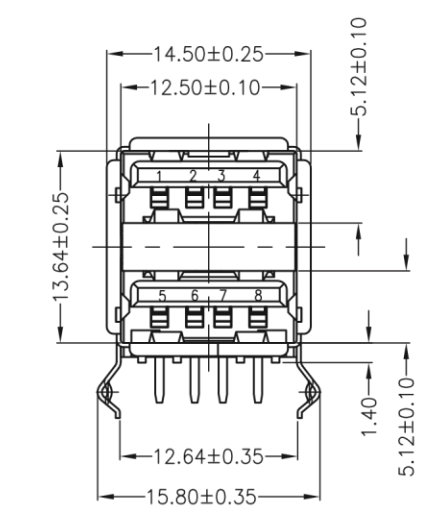
ORDER OPTION

RU601- * * * T008M1-F21SNNS

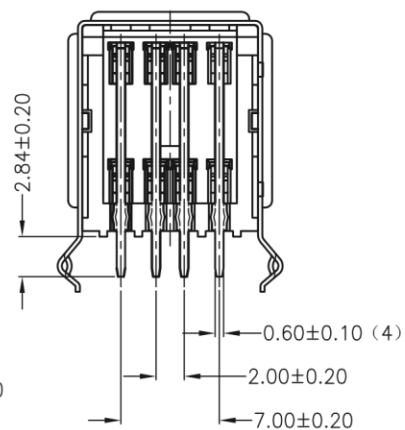
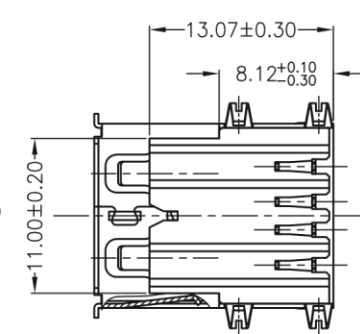
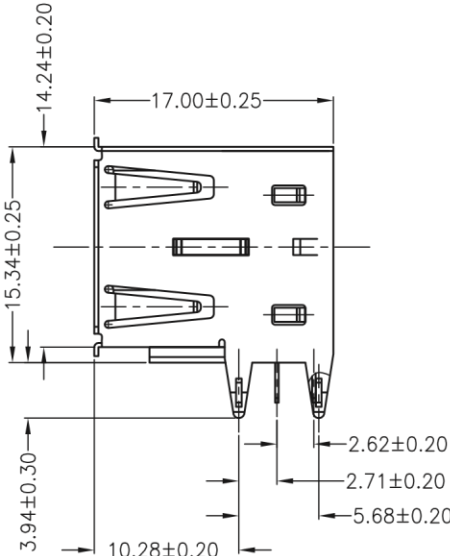
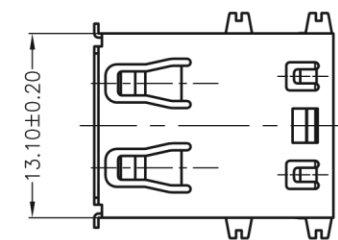
- PLATING**
- 0. Au 0.2~1μ (CONTACT AREA)
 - 1. Au 3μ (CONTACT AREA)
 - 4. Au 15μ (CONTACT AREA)
 - 6. Au 30μ (CONTACT AREA)
 - A. Au 0.2~1μ OVERALL
 - E. Au 15μ OVERALL

- COLOR**
- 1. BLACK 2. BEIGE(WHITE) 3. WHITE
 - A. BLUE

- HOUSING**
- 3. PA6T, UL94V-0 5. PBT, UL94V-0



RECOMMENDED P.C.B HOLE LAYOUT
TOP VIEW



RoHS Directive compliant 2002/95/EC	METRIC	Han Electronic
	DESIGNER PHIL. CHEN APPROVER STEPHEN LEE	
	DIMENSIONS ARE IN MILLIMETERS TOLERANCES X.X ±0.25 X.XX ±0.20 X.XXX ±0.10 ANGULAR ±3°	TITLE USB 2.0 2x1 PORTS R/A, THROUGH HOLE
	THIRD ANGLE PROJECTION	SIZE A4